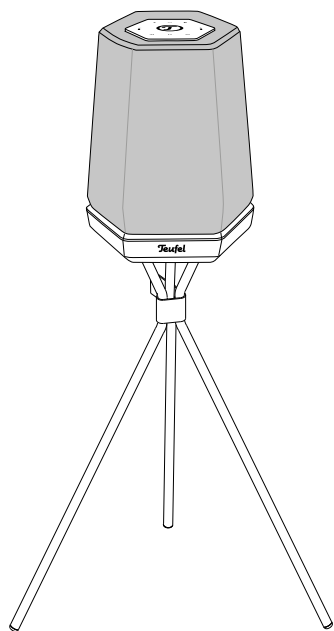


Assembly Instructions



Speaker stand for Holist M

Teufel

General Notes And Information

Proper use

Only use the speaker stand for mounting the speaker "Holist M". Any other use will be deemed as not in accordance with the instructions and may lead to damage of property or even persons.

The manufacturer accepts no liability for damage caused by improper use. The speaker stand is intended for private use.

Notice

The information in this document may change without prior notice and in no way constitutes any liability on the part of Lautsprecher Teufel GmbH.

No part of this user manual may be reproduced in any form or be broadcasted in any way electronically, mechanically, by photocopy or recording without the written permission of Lautsprecher Teufel GmbH.

© Lautsprecher Teufel GmbH

Version 1.0

July 2020

Original packaging

If you wish to exercise your eight-week right of return, we ask that you be absolutely sure to hold onto the packaging. We can only accept the return of the speakers WITH THE ORIGINAL PACKAGING.

Empty boxes are not available!

Complaints

In case of a complaint we will need the following information to process your enquiry:

1. Invoice number

Can be found on the sales slip (enclosed with the product) or on the order confirmation received as a PDF document, e.g. 4322543.

2. Serial number or batch number

Located on the back side of the device, e.g. serial no.: KB20240129A-123.

Thank you for your support!

Contact

Please contact our customer service department with any questions, suggestions, or complaints:

Lautsprecher Teufel GmbH

BIKINI Berlin

Budapester Straße 44

10787 Berlin (Germany)

Telephone: 00800 200 300 40 (toll-free)

Fax: +49 (0)30 / 300 930 930

Online support: www.teufelaudio.com/service

Contact form: www.teufelaudio.com/contact

For Your Safety



Before mounting the speaker stand, please read the safety instructions and user manual carefully. Only in this way, can you ensure that all functions are used in a safe and reliable manner. Store the user manual in a safe place and also be sure to pass it on to any subsequent owner.

⚠ WARNING

An unsuitable setup location may result in injury and damage.

- If the speaker stand is not securely mounted, do not use it in vehicles, in unstable locations, on wobbly furniture etc. The speaker stand and the device mounted on it may tip or fall over and cause injury to persons or be damaged itself.
- Place the speaker stand in such a way that it cannot be knocked over inadvertently and make sure that the cables do not pose a tripping hazard.
- Do not place the speaker stand near heat sources (e.g. heaters, ovens, other heat generating equipment such as amplifiers etc.).

⚠ WARNING

Children can become trapped in the plastic wrapping when playing and suffocate.

- Do not allow children to play with the device or the plastic wrapping. There is a danger of suffocation.

NOTICE

The isolation pads can produce discolouration on sensitive surfaces.

- On parquet, varnished wood and similar surfaces, you should stick felt gliders to the rubber feet of the speaker stand or put a blanket under it. This will prevent discolouration of the floor over the long term.

NOTICE

Do not mount the speaker stand when you notice that it is damaged.

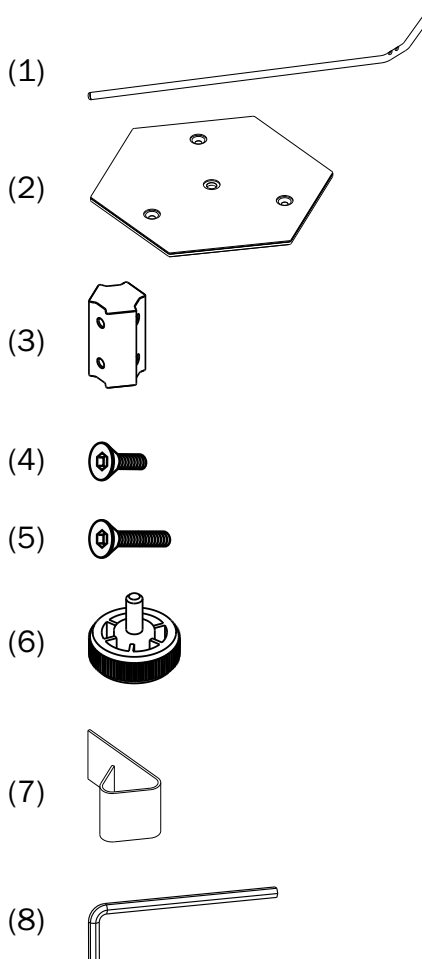
Package contents

Package contents

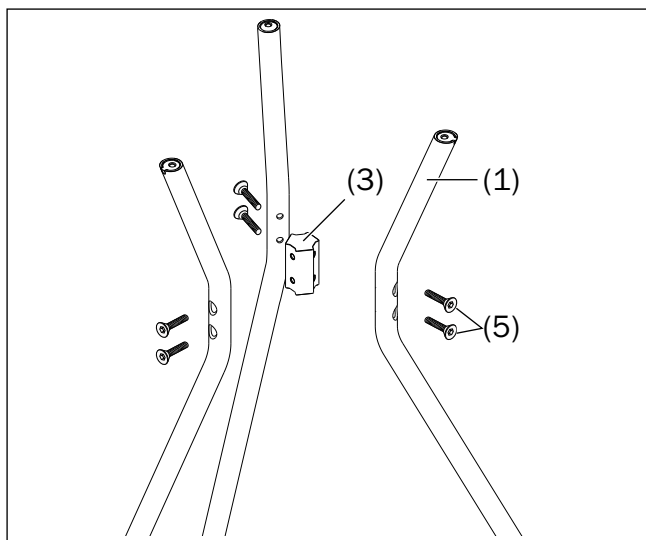
- (1) 3× support leg
- (2) 1× mounting plate
- (3) 1× connecting piece
- (4) 3× screw M4×10
- (5) 6× screw M4×20
- (6) 1× knurled screw
- (7) 1× hook and loop strip
- (8) 1× hexagon key (2.5 mm)

Checking the package contents

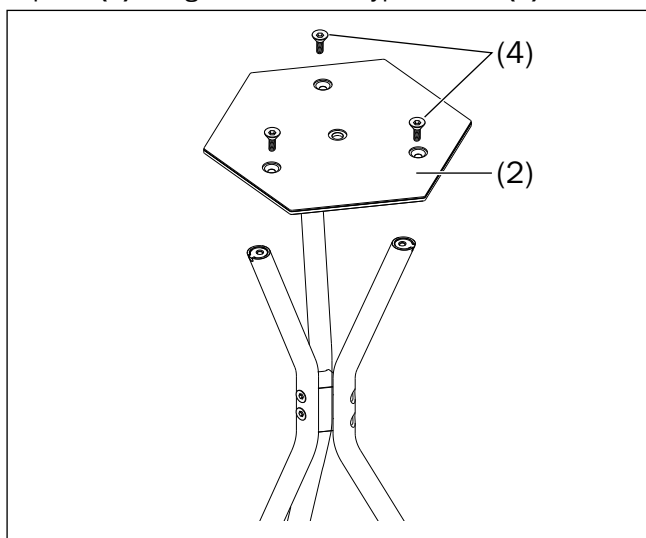
- Check that all items have been delivered and that nothing is damaged.
- If the delivery is incomplete or exhibits damage from transport, please contact our service team (see page 1).



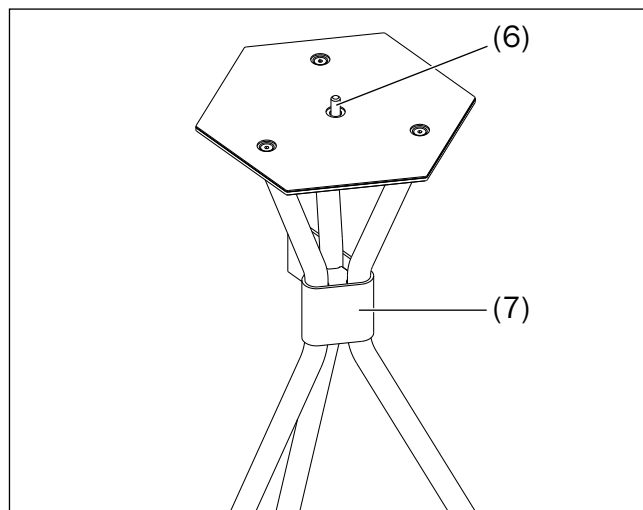
Assembly



1. Screw the three support legs **(1)** to the connecting piece **(3)** using two screws of type M4×20 **(5)** each.



2. Screw the mounting plate **(2)** to the mounted support legs with three screws of type M4×10 **(4)**. Do not over-tighten these screws. Otherwise, the plastic threads in the support legs will be damaged.



3. Run the knurled screw **(6)** through the mounting plate **(2)** from below and tighten the Holist M on the mounting plate.
4. Run the connector cords of the Holist M to the bottom on one of the support legs and use the hook and loop strip **(7)** to fix the cords at the height of the connecting piece **(3)**.

Technical Data

Dimensions (W × H)	544 × 596 mm (without Holist M)
Weight	1.5 kg (without Holist M)
Max. carrying capacity	7 kg

Teufel

Please contact our customer service department with any questions, suggestions, or complaints:

Lautsprecher Teufel GmbH

BIKINI Berlin

Budapester Straße 44

10787 Berlin (Germany)

Telephone: 00800 200 300 40 (toll-free)

Fax: +49 (0)30 / 300 930 930

Online support: www.teufelaudio.com/service

Contact form: www.teufelaudio.com/contact

No responsibility is assumed for the correctness of this information. Technical changes, typographical errors and other errors reserved.

Manual No. 198333_EN_20200703