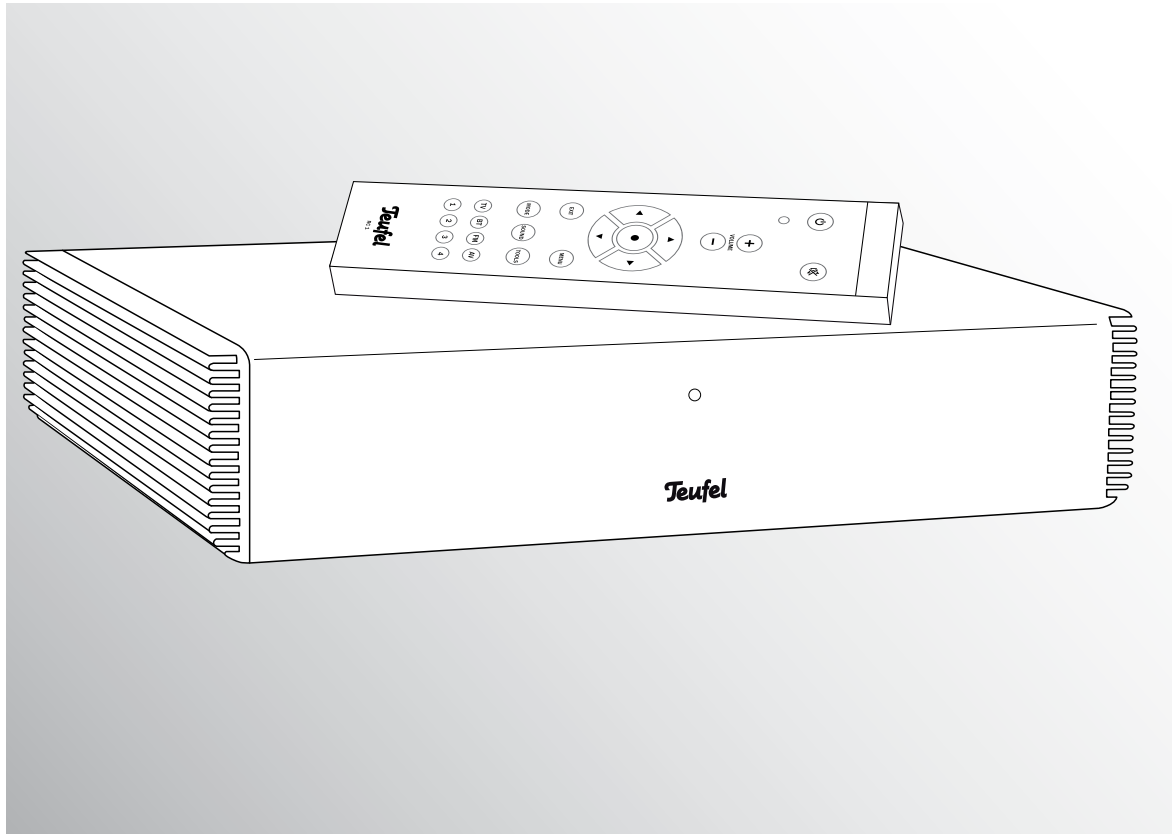


Technical description and instruction manual



CoreStation

Ultra-compact 5.1 AV Receiver with Wireless Technology

Teufel

Contents

General Notes and Information	3	Menu functions	19
Notice	3	“Tuner” menu	19
Trademarks	3	Presets	19
Original packaging	3	Frequency	19
Complaints	3	Mode	19
Contact	3	Memory Store	19
Proper use	3	Memory Erase	19
For Your Safety	4	“Surround” menu	20
Please Read	4	“Tone Control” menu	20
Caution items	4	TONE	20
Notes on Safe Use & Maintenance	4	Mode	20
Explanation of Symbols	6	Equalizer	20
Overview	7	“Speaker Levels” menu	20
Unpacking	7	“Source Levels” menu	20
Product contents	7	“Audio Mapping” menu	20
Checking the delivery	7	“Speaker Setup” menu	20
Optional accessories	7	Speaker Size	20
Operational Controls and Connections	8	Crossover	21
CoreStation back side	8	Phase Sub	21
CoreStation front side	9	Lip Sync	21
Remote control RC 1	9	Distance	21
Setup / Mounting	10	“System Setup” menu	21
Setup location	10	Special Keys	21
Location tips	10	HDMI	21
Mounting behind a TV set	10	Auto-off	21
Connecting	12	Power On Level	21
FM antenna	12	Wireless	21
Inputs for source devices	12	3.1/5.1	22
HDMI 1, 2, 3 and 4	12	D/E	22
OPTICAL 1 and 2	13	System Reset	22
COAXIAL	13	Bluetooth Playback	23
AUX 1, 2 and 3	13	Pairing	23
Outputs	13	Playback	23
Speaker outputs	13	Radio Playback	24
Subwoofer	14	Setting the radio stations	24
Pre Out	14	Stereo/Mono	24
TV set	15	Station memory slots	24
Headphones	15	Saving stations	24
Connecting to power	15	Selecting stations from the memory	24
Connecting to power	15	Clearing station memory slots	24
Remote control	16	Software Update	25
Inserting/changing the battery	16	Installing new software	25
Functionality	16	Cleaning & Maintenance	25
Pairing the remote control	16	Troubleshooting	26
Basic functions	17	Technical Data	27
Activating and deactivating	17		
Selecting a source	17		
Setting the volume	18		
Mute	18		
Adjusting the sound	18		
Surround mode selection	18		

General Notes and Information

Notice

The information in this document may change without prior notice and in no way constitutes any liability on the part of Lautsprecher Teufel GmbH.

No part of these instructions may be reproduced in any form or be broadcasted in any way electronically, mechanically, by photocopy or recording without the written permission of Lautsprecher Teufel GmbH.


© Lautsprecher Teufel GmbH


Version 2.0


February 2016


Trademarks


® All trademarks are the property of their respective owners.

 **DOLBY** DIGITAL PRO LOGIC II Manufactured under license from Dolby Laboratories. “Dolby”, “Pro Logic” and the double D symbol are trademarks of Dolby Laboratories.

 **dts** Digital Surround Manufactured under license under U.S. Patent Nos: 5,956,674; 5,974,380; 6,487,535 & other U.S. and worldwide patents issued & pending. DTS, the Symbol, & DTS and the Symbol together are registered trademarks & DTS Digital Surround and the DTS logos are trademarks of DTS, Inc. Product includes software. © DTS, Inc. All Rights Reserved.

 **HDMI** HIGH-DEFINITION MULTIMEDIA INTERFACE The HDMI and High-Definition Multimedia Interface symbols as well as the HDMI logo are trademarks or registered trademarks of HDMI Licensing LLC in the USA and other countries.

 **Bluetooth**® The Bluetooth® word mark and logos are registered trademarks owned by Bluetooth SIG, Inc. and any use of such marks by Lautsprecher Teufel GmbH is under license. Other trademarks and trade names are those of their respective owners.

 **aptX** CSR © 2013 CSR plc and its group companies. The aptX® mark and the aptX logo are trademarks of CSR plc or one of its group companies and may be registered in one or more jurisdictions.

Original packaging

If you wish to exercise your eight-week right of return, we ask that you be absolutely sure to hold onto the packaging. We can only accept the return of the speakers WITH THE ORIGINAL PACKAGING.

Empty boxes are not available!

Complaints

In case of complaint we will need the following information to process your enquiry:

1. Invoice number

Can be found on the sales slip (enclosed with the product) or on the order confirmation received as a PDF document, e.g. 4322543

2. Serial number or batch number

Located on the back of the device, e.g. serial no.: KB20240129A-123.

Thank-you for your support!

Contact

Please contact our customer service with any questions, suggestions or criticism:

Lautsprecher Teufel GmbH

Bikini Berlin

Budapester Str. 44

10787 Berlin

Phone 00800 - 200 300 40 (toll-free)

Fax: +49 (0)30 / 300 930 930

E-Mail: service@teufelaudio.com

www.teufelaudio.com

Proper use

Only use the CoreStation as described in these operating instructions. Any other use will be deemed as not in accordance with the instructions and may lead to damage of property or even persons.

The manufacturer accepts no liability for damage caused by use not in accordance with the instructions.

The CoreStation is intended for domestic use.

For Your Safety

Please Read



Before operating the CoreStation, please first read the safety notes and instruction manual carefully. Only in this way, can you ensure that all functions are used in a safe and reliable manner. Store the instruction manual in a safe place and also be sure to pass it on to any subsequent owner.

Caution items

You can find the following caution items in these instructions:



WARNING

This caution item indicates a moderate risk, which, if not avoided, may result in death or to high injury.



CAUTION

This caution item indicates a low risk, which, if not avoided, may result in minor or moderate injury.

NOTE

This caution item warns you of potential damage.

Notes on Safe Use & Maintenance



WARNING

Improper electrical installation or excessive mains voltage may result in an electrical shock.

- The device is suitable for a mains voltage of 230V ~ / 50Hz. When connecting the device, make sure that the correct voltage is present. You can find more information in this respect on the nameplate.
- Check the device regularly for damage. Immediately disconnect the mains plug and do not operate the device if its housing or mains cable is defective or exhibits other visible damages.
- This device is disconnected from the grid only by pulling the mains plug. Thus, make sure that the mains plug is always easily accessible.
- If the device emits smoke, smells of burning or produces unusual sounds, immediately pull the mains plug and do not operate it further.
- Never open the device housing. Only parts which confirm with the original device specifications may be used for repairs.

- Only use the accessory products specified by the manufacturer.
- Only use the device in indoor areas.
- Do not operate the device in wet rooms and protect it from dripping and splash water. Make sure that no vases or other containers filled with liquid are located on the device or nearby in order to prevent liquid from penetrating the housing. If water or other foreign objects end up penetrating the housing, immediately pull the mains plug and take out any batteries. Then send the device to our service address.
- Never touch the mains plug with wet hands.

Children can become trapped in the packing film when playing and suffocate.

- Do not allow children to play with the device or the packing film. Danger of suffocation.
- Ensure that children do not remove small parts from the device or take them off of the device (e.g. control knobs or plug adapters). They could swallow the parts and choke.
- Never let children use electrical equipment unsupervised.

Swallowing the remote control's battery may result in severe internal injury or even death.

- Store both new and used batteries so that they are not accessible to children.
- If it is no longer possible to safely close the battery compartment, stop using the product and store it so that it is not accessible for children.
- If you suspect that a battery has been swallowed or otherwise incorporated, promptly consult a physician.

Leaking battery acid may lead to chemical burns.

- Do not allow battery acid to come into contact with skin, eyes or mucus membranes. In the event of contact with acid, immediately flush the applicable areas with plenty of clean water and consult a physician if necessary.

Batteries (particularly lithium batteries) can explode if used improperly.

- Never attempt to recharge batteries.
- Only use batteries of the same or equivalent type.
- You may not heat or short circuit batteries and storage batteries or dispose of them in fire.
- Do not expose batteries and storage batteries to direct sunlight.



Extended listening at high volumes may lead to hearing loss.

- To avoid damage to health, avoid extended listening at high volumes.
- When the volume is set high, always keep a certain distance from the device and never place your ear directly on the speaker.
- If a speaker is set to full volume, this may produce very high sound pressure. This may have psychological consequences and also cause physical injury. Children and pets are particularly at risk. Set your signal source device volume control to a low setting before turning on the power.

CAUTION

An unsuitable setup location could lead to damage.

- If the CoreStation and the speakers are not securely mounted, do not use them in vehicles, in unstable locations, on wobbly tripods or furniture, on underdimensioned brackets etc. The CoreStation or the speakers may tip or fall over and cause injury to persons or be damaged themselves.
- Only mount the CoreStation on a solid base with sufficient carrying capacity.
- Place the CoreStation in such a way that it cannot be knocked over inadvertently and make sure that the cables do not pose a trip hazard.
- Carefully follow the instruction manual.
- When storing the CoreStation, make sure that it is in a stable position and that there is no risk of it falling or being pulled down.

NOTE




External influences may damage or destroy the device.


- If the device is to be left unattended for a prolonged period of time (e.g. during a vacation) or if a thunderstorm is forecast, pull the mains plug out of the socket. Otherwise, sudden overvoltage could cause the device to become defective.
- In the event of prolonged absence, remove the batteries from the remote control. Leaked batteries may damage the remote control.
- If the device is subjected to warm temperatures after being cold (e.g. after transport), condensation may occur inside of it. In this case, wait at least 2 hours before you connect and activate it.

Improper use may lead to damage or fire.

- Do not place open flames such as burning candles or similar on the device.
- Ensure sufficient ventilation.
- Do not place the device in direct sunlight.

Explanation of Symbols

	Protection class II Dual insulation
	Risk of electrical shock – do not open the housing. Disconnect the mains cable before changing a fuse.
	Old devices must not be disposed of with household waste! If the device is no longer operational, every consumer is required by law to dispose of old devices separately from household waste, e.g. at a collection point run by the communal authority/boroughs. This ensures that old devices are recycled in a professional manner and also rules out negative consequences for the environment. For this reason, electrical equipment is marked with this symbol.

	Batteries and storage batteries do not belong in the household garbage! Every consumer is required by law to bring all batteries and storage batteries, regardless whether they contain harmful substances*) or not, to a collection point run by the communal authority or borough or to a retailer, so that they can be disposed of in an environmentally friendly manner. Please only turn in batteries and storage batteries which are empty! *) labelled with: Cd = cadmium, Hg = mercury, Pb = lead
---	--

Unpacking

- Carefully open the box and carefully lift the CoreStation and accessories out of the box.

Product contents

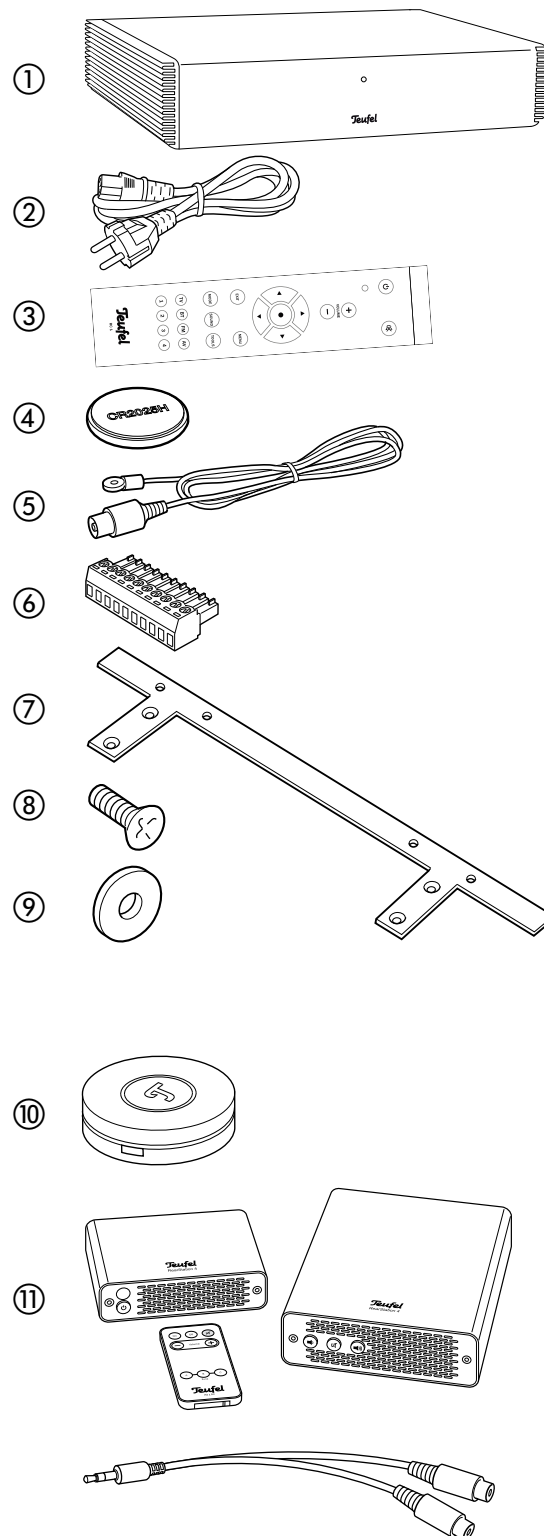
- ① 1x CoreStation
 - ② 1x mains cable for the CoreStation
 - ③ 1x remote control RC 1
 - ④ 1x button cell for ③
 - ⑤ 1x FM throw-out antenna
 - ⑥ 1x system plug for speaker connection
 - ⑦ 2x mounting brackets
 - ⑧ 8x screws for the mounting brackets
 - ⑨ 4x washers for the mounting brackets
- Instruction manual

Checking the delivery

- Check that all items have been delivered and that nothing is damaged.
- If the delivery is incomplete or exhibits transport damages, please contact our service team (see page 3).
- Do not in any case operate the device if it is damaged.

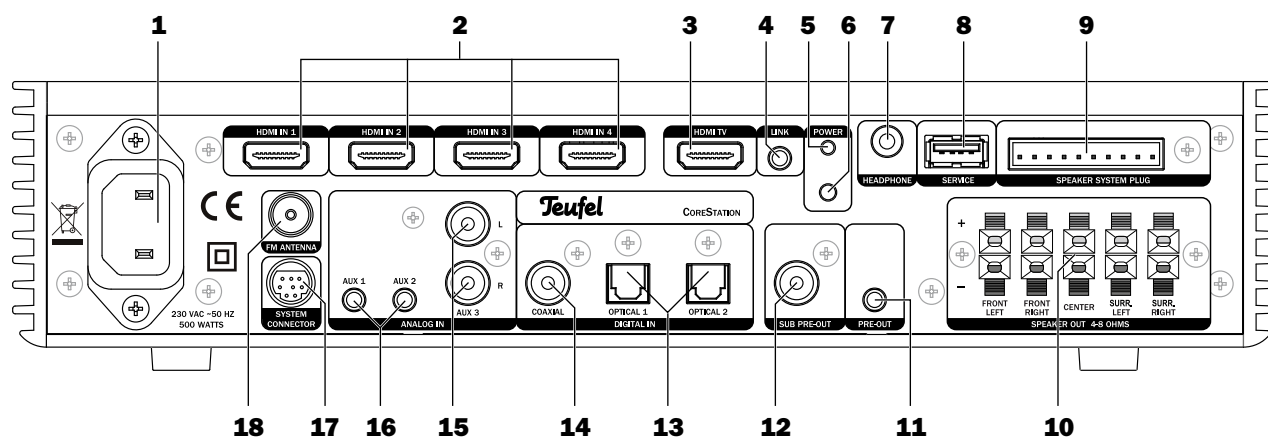
Optional accessories

- Optionally, you can purchase the Teufel Puck Control ⑩ – an innovative remote control for controlling volume, muting and selecting input sources – from www.teufelaudio.com.
- You can also use the Teufel RearStation ⑪ to configure the rearward surround speakers for wireless operation in 5.1 mode. A 3.5 mm jack to stereo RCA adapter can also be optionally purchased for this. You can purchase both from www.teufelaudio.com.



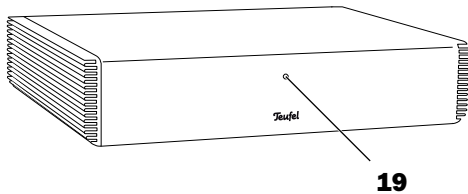
Operational Controls and Connections

CoreStation back side



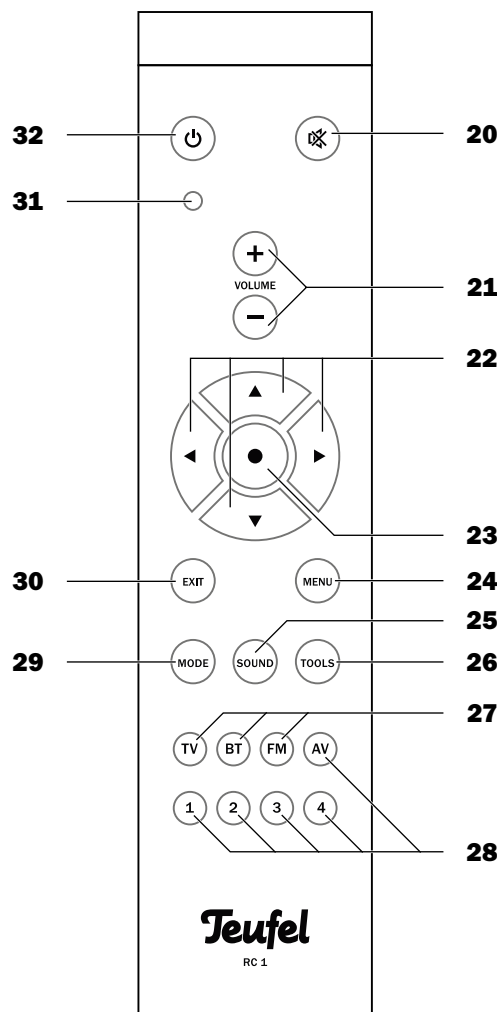
Item	Name	Description
1	—	Connector jack for mains cable
2	HDMI IN 1-4	Inputs for external HDMI source devices
3	HDMI TV	HDMI output to the TV set
4	LINK	Connector jack for additional expansions
5	POWER	Power LED
6	—	Button for switching the device on / to standby.
7	HEADPHONE	Connector jack for headphones
8	SERVICE	USB port (for service only)
9	SPEAKER SYSTEM PLUG	Connector for speaker system plug ⑤
10	SPEAKER OUT 4-8 OHM	Clamps for speakers
11	PRE OUT	Analogue audio output 3.1 mode: Stereo downmix 5.1 mode: Surround channels
12	SUB PRE OUT	Line output for the subwoofer
13	OPTICAL 1-2	Digital audio input jacks for optical cables
14	COAXIAL	Digital audio input jack for coaxial cable
15	AUX 3	Analogue audio input jacks (RCA)
16	AUX 1-2	Analogue audio input jack (3.5 mm phone jack)
17	SYSTEM CONNECTOR	Connector jack for additional expansions
18	FM ANTENNA	Connection for FM antenna

CoreStation front side



Item	Name	Description
19	—	Function LED

Remote control RC 1



Item	Name	Description
20	🔇	Mute (turn sound on or off)
21	VOLUME +/-	Increase (+) / decrease (-) the volume
22	◀▶▲▼	Set buttons
23	•	Enter button
24	MENU	Access the main menu
25	SOUND	Access the sound setting
26	TOOLS	Access the “System Setup” menu
27	TV, BT, FM	Select source device TV, Bluetooth or radio directly
28	AV, 1, 2, 3, 4	Programmable source device buttons
29	MODE	Toggle the surround mode
30	EXIT	Exit the menu
31	—	Indicator LED (blinks every time a command is successful received from the remote control)
32	🔌	Switch the device on / to standby

Setup / Mounting

Setup location

You can set up the CoreStation in a concealed location as the remote control operates with radio signals. When setting the device up in a cabinet, make sure that it is adequately ventilated and aerated to prevent the CoreStation from overheating.

Location tips

- Select a stable, level base whose carrying capacity is sufficient for the CoreStation and TV set.
- Make sure that the environment is clean and free from dust.
- Select a location away from heat sources and direct sunlight.
- Lay the connector cables so that they do not pose a tripping hazard.
- Do not place any heavy objects on the cables.

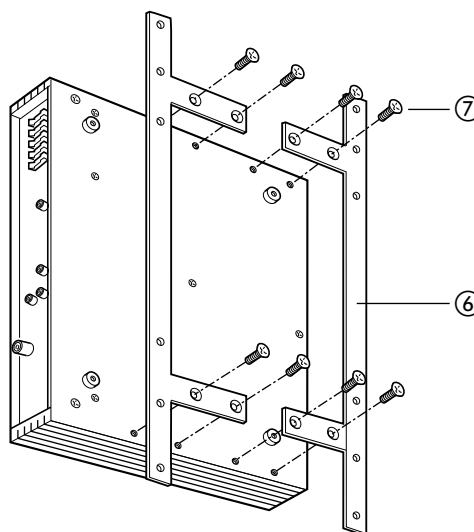
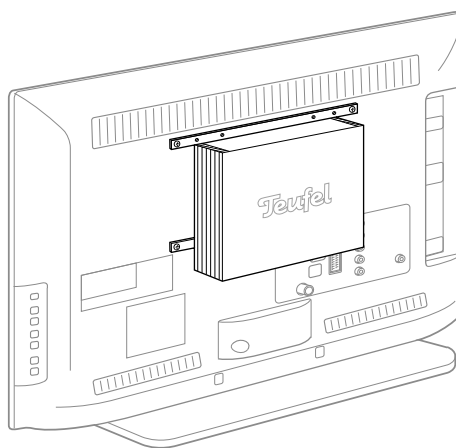
Mounting behind a TV set

You can also mount the CoreStation behind a suitable flatscreen TV using the enclosed mounting brackets ⑥:

- The TV set must be in a stable position and may not be secured with a wall bracket.
- It must be prepared for a wall bracket in accordance with VESA MIS-E or MIS-F. TV sets of this type have a stable mounting frame under the rear panel. Only the outside holes 200 mm (VESA MIS-E) or 400 mm apart (MIS-F) are visible from the outside. Please refer to the instruction manual for your TV set.

You will still need two or four screws that fit the VESA holder on your TV set. For this, be absolutely sure to observe the notes in the instruction manual of your TV set. These screws may not be too long and are not part of the product contents of the CoreStation.

1. Use the enclosed eight screws ⑦ to screw the two mounting brackets ⑥ onto the bottom of the CoreStation as shown in the figure.



2. Mount the CoreStation depending on how the **top two** VESA mounting points on your TV set are spaced:

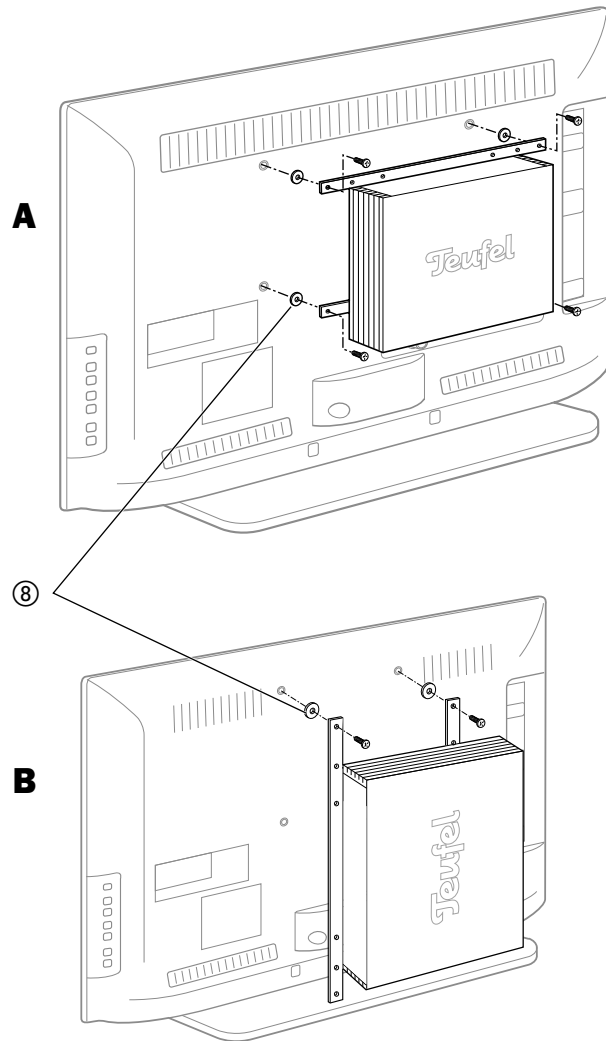
Spaced at 400 mm:

Mount the CoreStation in a lateral position (with the connections facing down — see Fig. A).

Spaced at 200 mm:

Mount the CoreStation in an upright position (with the connections pointing to the left or right — see Fig. B)

3. If necessary, place the washers ⑧ under the mounting brackets as a spacer.
4. Begin by only screwing the top of the CoreStation into place.
5. If the bottom bore holes of the mounting brackets ⑥ match up with the bottom VESA fasteners, screw the CoreStation into place on the bottom as well. Otherwise, it is sufficient if the CoreStation is secured along the top with two screws.



Connecting

! WARNING

Risk of injury/damage!

Lay the cables so that they do not pose a tripping hazard.

FM antenna

! WARNING

Risk associated with lightning strike!

If you are using outdoor or roof antennas, be absolutely sure that the antenna has lightning protection.

To receive FM stations, connect the antenna to the FM ANTENNA jack **(18)**. This may be a roof/outside antenna, but also a cable television connection. You will need a coaxial connector cable for this.

If no antenna connection is available at the set-up location, you can use the enclosed throw-out antenna **(4)**. Push the antenna plug into the FM ANTENNA jack **(18)** and adjust the position of the throw-out antenna for best reception. Then fix the antenna in place.

Inputs for source devices

The CoreStation offers 4 HDMI inputs for digital audio/video signals (HDMI 1, 2, 3 and 4), three analogue audio inputs (AUX 1, 2 and 3) as well as one coaxial and two optical digital audio inputs.

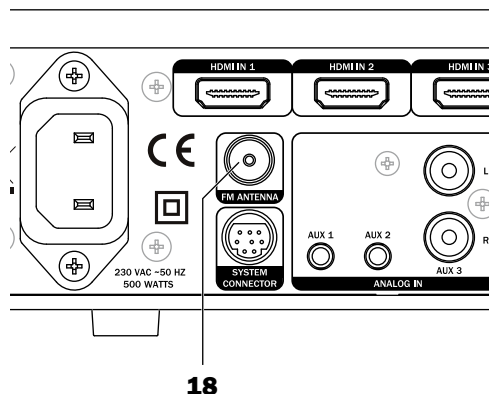
HDMI 1, 2, 3 and 4

You can connect a HDMI source device with a digital video and audio signal to each of the jacks **(2)** (e.g. PC, Blu-ray player or game console). For this, you will need one HDMI cable per device.

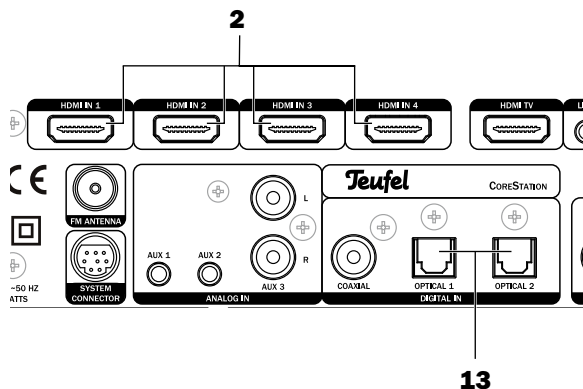
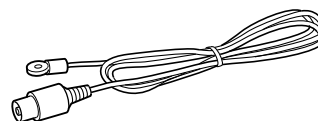
If a device does not transfer the audio via HDMI, you can assign one of the audio inputs of the CoreStation to this device in the “Audio Mapping” menu (see page 20).

NOTE

The functions CEC and ARC are deactivated to save energy when the product is delivered. If necessary, please activate these functions via the menu (see “HDMI” on page 21).



④



OPTICAL 1 and 2

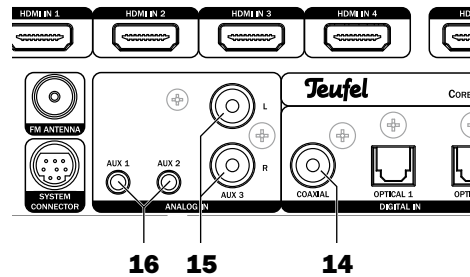
You can connect the optical digital audio outputs of two source devices to the OPTICAL jacks **(13)**. You will need an optical cable with a TOSLINK plug for this.

COAXIAL

You can connect the coaxial digital audio output of a source device to the COAXIAL jack **(14)**. You will need a coaxial cable with RCA plugs to do so.

AUX 1, 2 and 3

You can connect source devices with analogue audio to the jacks **(15)** and **(16)**. The AUX 3 jacks **(15)** are RCA jacks for connecting e.g. a cassette or tape recorder. The AUX 1 and AUX 2 jacks are each 3.5 mm jack plugs for connecting e.g. an MP3 player.



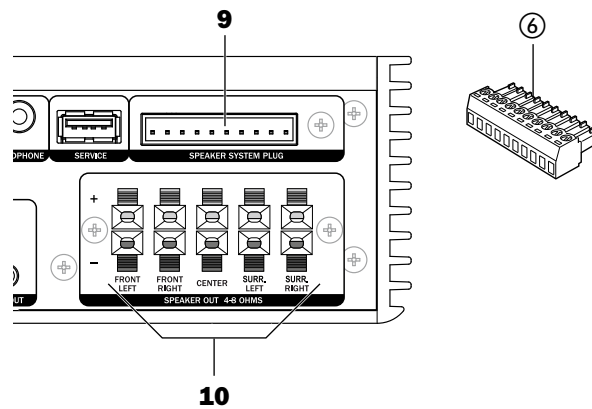
Outputs

Speaker outputs

The CoreStation has power amplifiers for 5 speakers – only the active subwoofer is connected via RCA cable or radio signal.

If possible, use high-quality, twin-core speaker single wire with a diameter of at least 1 mm² to connect the speakers. You can order such cables in our webshop (www.teufelaudio.com) in the “Accessories” area.

Connect the speakers to the SPEAKER OUT connector terminal **(10)**. The system plug **(6)** and the SPEAKER SYSTEM PLUG connector **(9)** are only intended for commercial applications.



NOTE
To avoid damage to the device, never use both connectors **(9)** and **(10)** at the same time!

Connect the speakers as follows to the SPEAKER OUT connector terminal **(10)**:

FRONT LEFT/RIGHT	Front left/right channels
CENTER	Mid-channel
SURR. LEFT/RIGHT	Rear left/right channels

The terminals are each marked red (+) and black (-).

NOTE

Make sure the polarity is correct!

Connect the like coloured terminals. Otherwise, the sound quality will suffer. The strands of the speaker cables are marked with different colours or shapes.



- Split the single wire down to approximately 30 mm and remove approximately 10 mm of the insulation on each strand. Twist the single wire so that no strands are protruding. Tin coating is not necessary.
- Push down the respective clamp lever and insert the end of the cable in the corresponding opening. Releasing the lever will clamp the cable in place.

Use the system plug ⑤ to connect the speakers according to the table:

- Split the single wire down to approximately 20 mm and remove approximately 6 – 7 mm of the insulation from each strand. Twist the single wire so that no strands are protruding. Tin coating is not necessary.
- Insert the cable end in the corresponding opening and screw it in place.
- Once you have connected all cables, push the system plug ⑤ into the SPEAKER SYSTEM PLUG jack (9) up to the stop.

Subwoofer

You can connect an active subwoofer to the SUB PRE OUT jack (12) with an RCA cable.

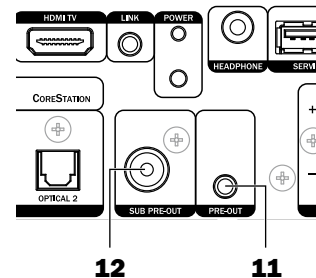
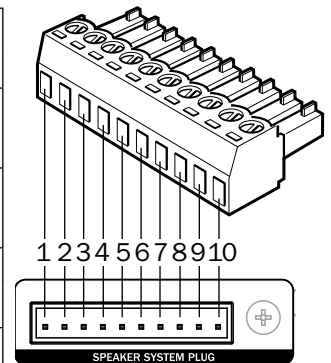
If you use an active subwoofer with a radio connection, activate the connection in the “System Setup” menu (see “Wireless” on page 21).

Pre Out

You can set the function of the analogue PRE OUT output (11) in the “System Setup” menu (see “3.1/5.1” on page 22):

- 3.1 mode: Convert the 5.1 audio signal to 2 stereo channels (2.0) (downmix), e.g. for relaying the audio signal to a second room.
- 5.1 mode Output of the rear channels (surround channels).

1	+	Front left channel
2	-	
3	+	Front right channel
4	-	
5	+	Mid-channel
6	-	
7	+	Rear left channel
8	-	
9	+	Rear right channel
10	-	



NOTE

You can connect an amplifier or active speaker set, but also a wireless transmission system (e.g. Teufel RearStation 4) to these jacks. You will need a stereo cable with a 3.5 mm jack plug to do so. You can purchase accessory cables directly via www.teufelaudio.com.

TV set

Connect your TV set or your video projector to the HDMI TV jack **(3)**. You will need a HDMI cable for this.

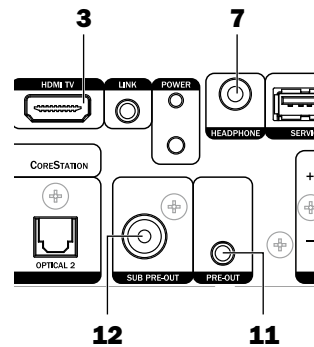
If your TV set does not transfer audio via HDMI ARC, you can assign one of the audio inputs of the CoreStation to the TV set in the “Audio Mapping” menu (see page 20).

The functions CEC and ARC are deactivated to save energy when the product is delivered. If necessary, please activate these functions via the menu (see “HDMI” on page 21).

Headphones

You can connect Stereo headphones to the HEADPHONE jack **(7)** with a 3.5 mm jack.

The speakers and the outputs of the power amplifiers **(11)** and **(12)** will be automatically deactivated when you connect the headphones.



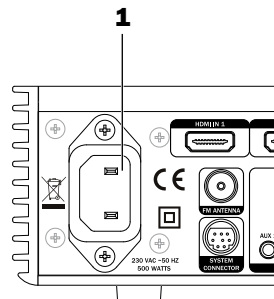
⚠ WARNING

Risk of injury/damage!

Lower the volume before you pull out the headphone plug out again; otherwise, the speakers may unexpectedly “blare out” very loud sound. This could injure your hearing or damage the device.

Connecting to power

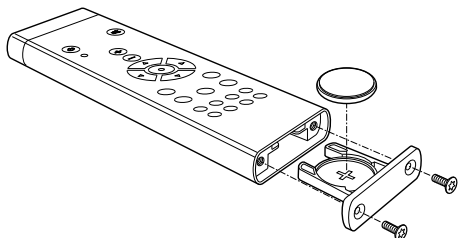
1. Make sure that your active subwoofer and/or the active speakers are switched off.
2. Insert the IEC power plug of the mains cable into the jack **(1)**.
3. Insert the mains plug into a mains power socket (230V~ / 50Hz).



Remote control

Inserting/changing the battery

You should change the battery, if the remote control stops working properly or after 2 years at the latest. Battery type: CR2025H or CR2032H button cell.



1. Remove the two screws on the battery compartment.
2. Pull the battery compartment out of the remote control.
3. Remove the old battery and insert the new one with the positive pole + facing down into the battery compartment. Observe the notes for disposing the old battery on page 6.
4. Push the battery compartment back into the remote control and tighten the two screws.

Functionality

The remote control transmits radio control signals and has a range of approximately 10 metres. Objects, walls and other wireless signal sources (e.g. phones, Wi-Fi) may restrict the range.

As the control signals are transmitted wirelessly, the remote control does not have to be pointed at the CoreStation; the CoreStation can also be mounted in a concealed location behind the TV or in a cabinet.

If the CoreStation receives commands from the remote control, the function LED **(19)** on the main unit will quickly blink in white.

Pairing the remote control

The remote control must be paired with the CoreStation before you can use it.

For this, hold the remote control close to the CoreStation and push the special function buttons “1” and “4” **(28)** until the indicator LED **(31)** blinks three times.

If the indicator LED **(31)** blinks ten times, an error has occurred. Repeat the process.

Note: The LED **(31)** on the remote control only lights up after it has been paired with the CoreStation.

! WARNING

Swallowing the product battery may result in severe internal injury or even death.

- Store both new and used batteries so that they are not accessible to children.
- If it is no longer possible to safely close the battery compartment, stop using the product and store it so that it is not accessible for children.
- If you suspect that a battery has been swallowed or otherwise incorporated, promptly consult a physician.

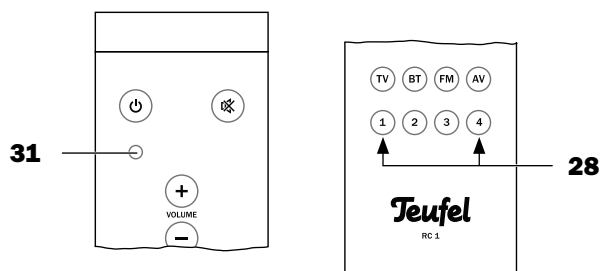
Leaking battery acid may lead to chemical burns.

- Do not allow battery acid to come into contact with skin, eyes or mucus membranes. In the event of contact with acid, immediately flush the applicable areas with plenty of clean water and consult a physician if necessary.

! WARNING

Batteries (particularly lithium batteries) can explode if used improperly.

- Never attempt to charge the battery.
- Only insert a battery of the same or an equivalent type (CR2025H or CR2032H button cell).
- You may not heat or short circuit batteries and storage batteries or dispose of them in fire.
- Do not expose batteries and storage batteries to direct sunlight.



Basic functions

Activating and deactivating

- You can switch the CoreStation on by briefly pushing the button **(6)** on the back of the device or **(32)**.
The function LED **(19)** will briefly light up in white during start-up.
- You can switch the CoreStation to standby by pushing and holding the button **(6)** or **(32)** for approximately one second. The LED POWER **(5)** will continuously light up in red during standby.
- If the TV that is connected via HDMI is CEC-capable, the CoreStation will be switched on and to standby together with the TV set (see “CEC” on page 21).
- If a CEC-capable HDMI device is connected to one of the HDMI IN connections **(2)**, the CoreStation and the TV set will also be activated when the HDMI device is turned on.
- If the CoreStation does not receive any signal for more than 30 or 60 minutes, it will automatically switch to standby (see “Auto-off” on page 21).

In standby the function LED **(19)** will illuminate in red. The CoreStation is not disconnected from the mains in standby mode. Pull the mains plug out of the mains socket to completely deactivate it.

Selecting a source

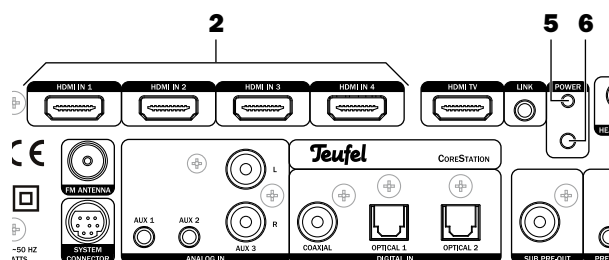
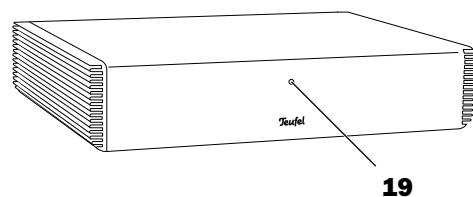
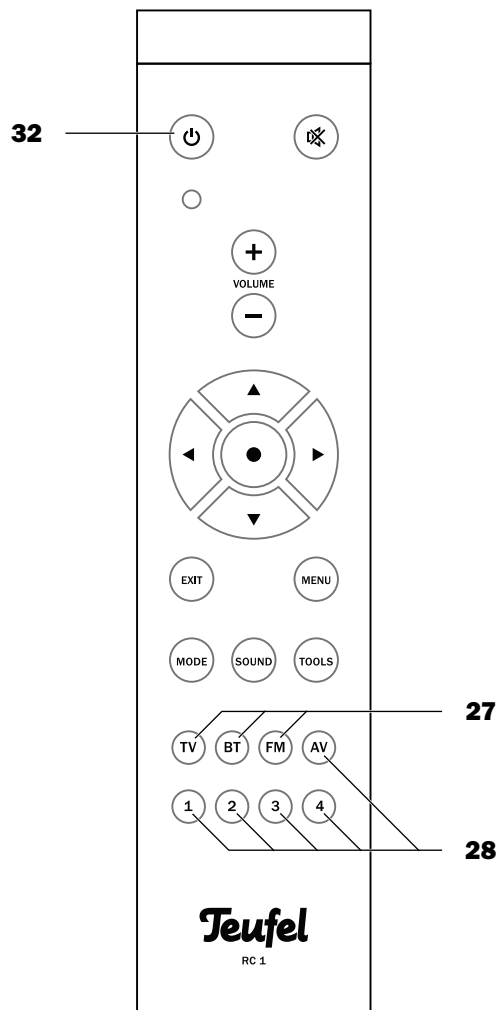
Use the buttons **(27)** on the remote control to select the most important source devices:

- TV TV set
- BT Bluetooth device (see page 23)
- FM Radio mode

You can use the special function buttons **(28)** to select the other sources; the buttons are assigned as follows by default:

But-ton	Push 1 x	Push 2 x
AV	HDMI 1	HDMI 2
1	AUX 1	AUX 2
2	OPTICAL 1	OPTICAL 2
3	COAX	AUX 3
4	HDMI 3	HDMI 4


You can change the assignment of the buttons **(28)** in the “Special Function Buttons” menu (see page 21).



Setting the volume

You can change the volume with the VOLUME +/- buttons (21).


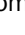
Mute

By pushing the  button (20), you can turn the sound off and on again.

During muting, the power LED (19) will slowly pulse in white and the message "Mute: On" will appear on the connected TV set.

Adjusting the sound

Use the SOUND button (25) to adjust the sound.

- Select the desired frequency range by repeatedly pushing the SOUND button (25):
 - Bass – low tones
 - Treble – high tones
- Use the set buttons  /  (22) to adjust the selected frequency band from "–10" (decrease) to "+10" (increase).
- Finish the setting with the EXIT button (30).

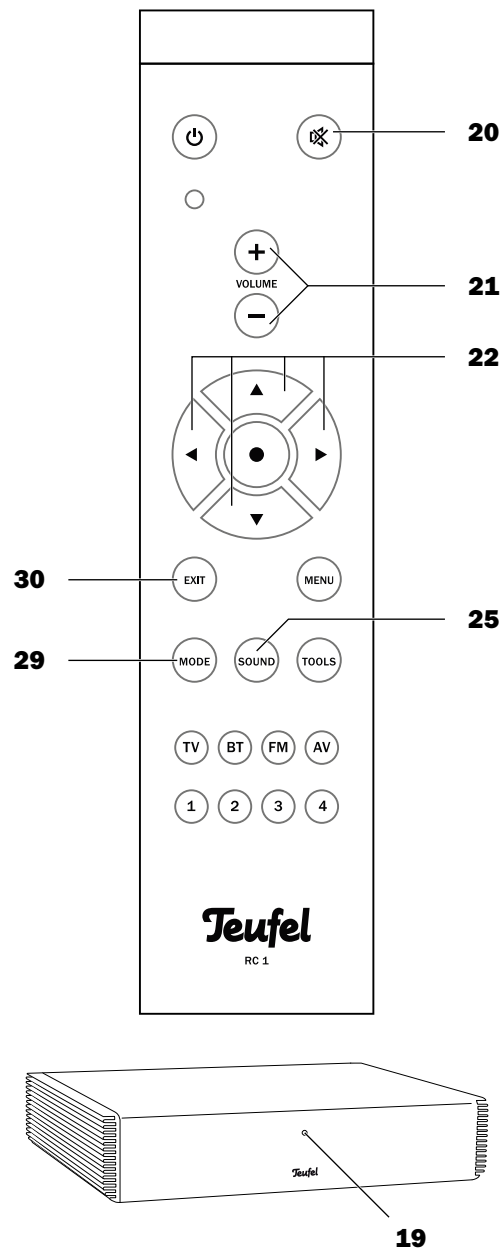
Surround mode selection

Use the MODE button (29) to toggle the surround mode for stereo sources in this order:

2.1 Stereo	Stereo only via front left/right and subwoofer
5.1 Stereo	Stereo via all channels (up-mix)
Dolby PLII Movie	Dolby ProLogic II for movies
Dolby PLII Music	Dolby ProLogic II for music

Dolby Digital and DTS

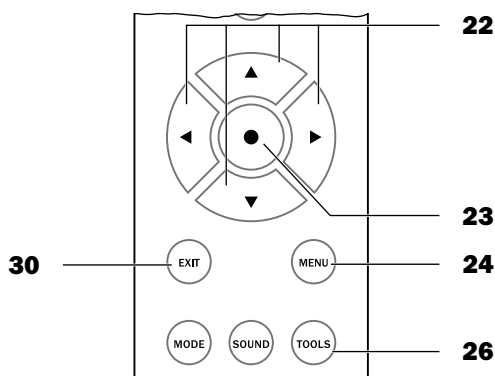
Surround mode is locked for the playback of Dolby Digital or DTS-coded multichannel tracks; thus the MODE button (29) is not functional when such signals are present.



Menu functions

Operate functions of the CoreStation via the main menu. To use the menu:

1. Switch the CoreStation and your TV on.
2. On the TV set, select the CoreStation as a source.
3. Push the MENU button **(24)**.
The main menu will appear on the connected TV set.
4. Select the desired submenu with the set buttons ▲/▼ **(22)**.
5. Push the • button **(23)**.
The submenu will open and you can select the next submenu or change the values with the set buttons ▲/▼ **(22)**.
6. You accept the setting by briefly pushing the • button **(23)**.
 - With the EXIT button **(30)** you end or abort the respective function.
 - Push the MENU button **(24)** to leave the menu at any time.
 - With the TOOLS button **(26)** you can access the system configuration menu directly.



If the menu is in German, you can switch the language for the screen menu to English as follows:

1. Push the TOOLS button **(26)**.
2. Select the item “D/E”.
3. Select the item “English”.
The onscreen menu will now switch to English.
4. Push the MENU button **(24)**.
The menu will disappear.

In the following sections, the English menu title will be specified followed by the German menu title in brackets.

“Tuner” menu

This menu is only available in radio mode (FM).

Presets

Here, you can switch the station memory slots with the set buttons ▲/▼ **(22)**.

Frequency

To set the tuning frequency, push the set buttons ▲/▼ **(22)** to scan through the stations in the desired direction; the scan will stop as soon as a station with sufficient signal strength is found.

Mode

With stereo stations with a weak signal, a bothersome noise may be heard; you can eliminate it by switching to mono.

Auto Stereo	If there is sufficient signal strength, the device will automatically switch to stereo.
Mono	Continuous mono reception.

Memory Store

Current Frequency

Will save the current station to the next free station memory slot.

APS

With this, you can automatically scan through the FM frequency and store all available stations to the station memory slots. Respond to the prompt “OK?” by briefly pushing the • button **(23)**. The device will automatically save the first 30 stations. Already occupied memory slots will be deleted in the process.

Memory Erase

- Select “Current Slot?” to erase only the currently selected station memory slot.
- Select “All Slots” to erase all station memory slots.

Push the • button **(23)** to erase or the EXIT button **(30)** to cancel.

“Surround” menu

Use the set keys ▲/▼ (22) to toggle surround mode for stereo sources in the following order:

2.1 Stereo	Stereo only via front left/right and subwoofer
5.1 Stereo	Stereo via all channels (up-mix)
Dolby PLII Movie	Dolby ProLogic II for movies
Dolby PLII Music	Dolby ProLogic II for music

Dolby Digital and DTS

Surround mode is predefined for playback of Dolby Digital or DTS coded multi-channel audio tracks; thus when playing back such audio formats this menu is disabled.

“Tone Control” menu

TONE

Here you can set the sound (high tones and bass tones). Possible values: from -10 dB (decrease) to +10 dB (increase).

Mode

Dynamic Comp.

Dynamic compensation regulates volume differences between individual tracks on CDs or other digital audio sources and ensures that playback is neither too loud nor too quiet. Possible settings: On, Off, Auto.

Cinema EQ

This function reduces the level of high tones from the original movie sound mix to perfectly adapt the sound to the typical acoustics of a living room. Possible setting: On or Off.

Equalizer

With this function, very fine adjustments within nine frequency ranges are available. Possible values: from -20 dB (decrease) to +6 dB (increase) each.

The “Reset” menu item resets all frequency bands for the selected channel to zero (neutral).

Note: The equalizer is inactive with some high-definition formats.

“Speaker Levels” menu

Here, you can set the relative volume within a range from “-10” (decrease) to “+10” (increase) for each speaker.

The rear speakers (“Surr.”) are not available in 3.1 mode.

With “Test Sound”, you can activate and deactivate pink noise as a neutral test sound.

“Source Levels” menu

Here, you can set the relative volume within a range from “-10” (decrease) to “+10” (increase) for each audio source.

“Audio Mapping” menu

Here, you can assign an audio output to each of the four HDMI inputs and the TV set.

Example: You would like to connect a PC without HDMI output. With a DVI to HDMI adapter, you transmit the video signal while the audio signal is present at one of the analogue inputs (AUX) via an RCA cable.

If the HDMI-ARC function is activated for the TV set, the menu item “TV” will not be available.

“Speaker Setup” menu

Speaker Size

You can set the size of the speakers according to your speaker system. There are five configurations to choose from:

SSS1	All speakers are small, subwoofer present.
LSS1	Large front speakers, small center and surround speakers, subwoofer present.
LSS0	Large front speakers, small center and surround speakers, no subwoofer.
LLL1	All speakers are large, subwoofer present.

The letters represent the speakers: Front left/right, center, surround left/right. In this context, S stands for small and L for large speakers. The last number stands for the subwoofer (1 = present, 0 = not present).

In 3.1 mode, a 0 stands for “not present” concerning surround (3rd position).

Crossover

With the crossover frequency, you define the frequency, up to which the subwoofer should be active. Possible values: 80 to 250 Hz in eight steps.

You can find information on the recommended crossover frequency in the technical data of the respective satellite speakers at www.teufelaudio.com

Phase Sub

You can hereby switch the phase shift (180°) on and off for the subwoofer. Select the setting, with which the subwoofer produces the loudest and clearest sound.

Lip Sync

Digital image processing in the TV set takes some time. To keep the video and audio in sync, you can delay the audio by a few milliseconds. Here, you can adjust the audio delay from 0 to 200 ms for each HDMI and other inputs in order to keep the sound synchronous.

Distance

Speakers usually are located at different distances to the listening position, which may compromise the surround sound effect. Here, you can set a slight delay of the signal to compensate these run time differences for all channels. Measure the distance from the listening position to the speakers and enter these values in the menu. The system calculates the required delays to each channel.

“System Setup” menu

Special Keys

The buttons AV, 1, 2, 3, 4 (**28**) can be configured to select different source devices. You can freely assign the buttons to all sources. Every button can activate two source devices:

- “Primary” – Push the button once.
- “Secondary” – Quickly push the button twice (“Double click”).

HDMI

Not all television sets reliably support the forwarding of multichannel audio formats (Dolby, DTS). Therefore, we recommend connecting the Blu-ray player directly to the CoreStation with a HDMI cable to consistently achieve the very best sound.

CEC (Consumer Electronics Control)

This function makes it possible to control devices via the HDMI connection. The CoreStation together with the TV set is switched on and to standby with this function. With many TV sets, you can also adjust the volume of the CoreStation with the remote control of your TV set.

ARC (Audio Return Channel)

In case of a HDMI connection, this channel provides a return channel for audio data from the TV set (for TV sets that support this function). This makes it possible for audio to be transmitted from the TV set to the CoreStation without an additional cable.

Possible settings: OFF, ON.

- With some TV sets, you have to activate these functions in the menu – please refer to the instruction manual for your TV set.
- Many TV sets only support the ARC function with one HDMI input. This is usually labeled “ARC”.
- To use ARC you must also activate CEC.
- If the CEC function is activated, standby power consumption increases.

Passthrough

This setting determines whether the audio signal from the connections HDMI 1 to 4 is also looped through to the TV set. Possible settings: On or Off.

Auto-off

In case of inactivity, the device automatically switches to standby after the defined period of time. Possible values: 60 min., 30 min. (preset), never.

Power On Level

Here you can set the volume of your device when it is turned on:

- Last: The volume set that was at turning off.
- Fixed: Predefined volume within the range from -50 dB (quiet) to 0 dB (loud).

Wireless

In this menu, you establish the radio link to your Bluetooth source device and/or wireless subwoofer. This process is called “pairing”.

You can see the current status when selecting the device (“Bluetooth” or “Wireless Sub”): “Not connected” or “Connected”.

The pairing of Bluetooth devices is described in the following chapter “Bluetooth Playback”.

Wireless Sub

To connect a wireless subwoofer to the CoreStation:

In the "System Setup" menu, select the submenu "Wireless" and then the menu item "Wireless Sub".

On the wireless subwoofer, start the process to establish a connection (see the corresponding operating instructions).

Push the • button **(23)** twice to start the pairing process. The function LED **(19)** will now quickly blink in blue.

The connection will be established after a short time and the status "Connected" is shown; you can now use the wireless subwoofer with the CoreStation.

3.1/5.1

Here, you switch between 3.1 and 5.1 mode and determine the function of the analogue output PRE OUT **(11)** (see page 15), to which you can connect a stereo amplifier, active speaker or wireless transmission system. This makes it possible to relay the audio signal into another room or to connect to the surround speakers in 5.1 mode via a wireless transmission system (e.g. the Teufel RearStation 4).

3.1	Convert (downmix) the 5.1 audio signal to the two stereo channels (2.0) to relay the audio signal into a second room.
5.1	Output of the surround channels.

D/E

Here you can set the screen menu language this way. Possible values: Deutsch, English

System Reset

This resets the device to the factory default.

Bluetooth Playback

You can connect compatible Bluetooth devices such as most smartphones with your CoreStation via Bluetooth. The sound output of the smartphone then occurs via the CoreStation.

The Bluetooth wireless transmission system has a range of approximately 10 metres, that can be decreased by walls and furnishings. If the connection is cut off, the CoreStation will attempt to re-establish a connection until you select another source.

Pairing

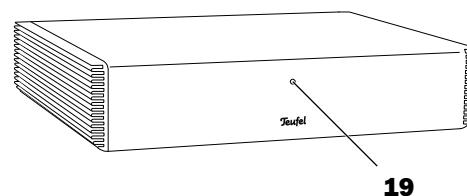
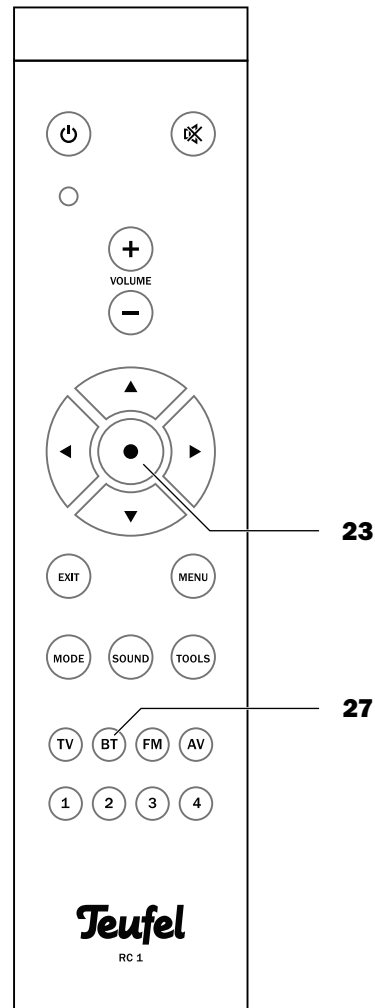
1. In the "System Setup" menu, select the sub-menu "Wireless" and then the menu item "Bluetooth".
2. Push the **•** button (**23**) twice to start the pairing process. The function LED (**19**) will now quickly blink in blue.
3. Activate the Bluetooth function on your source device (e.g. smartphone).
4. Let your source device search for Bluetooth devices. You will find more information about this in the instruction manual of your source device. After the search run, the "CoreStation" should also be present in the list of detected devices.
5. Select "CoreStation" from the list of detected devices.
The function LED (**19**) will now be continuously illuminated in blue. The CoreStation will play back all sounds that would otherwise be played back by your source device.

Playback

1. Use the BT button (**27**) to select Bluetooth as source.
2. On your source device, switch the Bluetooth function on.
3. Start playback with your Bluetooth device.
The function LED (**19**) will illuminate in blue.

If your device is a smartphone, the Bluetooth connection will be interrupted in the event of an incoming call and you can make phone calls as usual. After finishing your phone call, the sounds will once again be diverted and played back by your CoreStation.

4. To end the Bluetooth connection, turn off the Bluetooth function on your source device and select another source on the CoreStation.



Radio Playback

Your CoreStation has a FM radio receiver for receiving mono and stereo stations within the FM range from 87.5 to 108 MHz.

Setting the radio stations

Use the FM tuning button **(27)** to select the radio as source. The set frequency will be displayed on the connected TV set.

Set the tuning frequency with the set buttons ◀/▶ **(22)**:

- Automatic: After pushing the button for a prolonged period (approximately 2 seconds), the station search will start in the desired direction until a station with a sufficiently strong signal is found.
- Manual: Every time you tap the button, the frequency will be increased or decreased by one step (0.05 MHz).

If the station transmits an RDS signal, the frequency and the name of the station will appear in alternation after a moment.

Stereo/Mono

You may hear bothersome noise with stereo stations with a weak signal. In this case you can switch between mono and stereo reception in the “Tuner” menu under “Mode” (see page 19).

Station memory slots

The CoreStation can save up to 30 stations. You can conveniently select the saved stations with the push of a button.

Saving stations

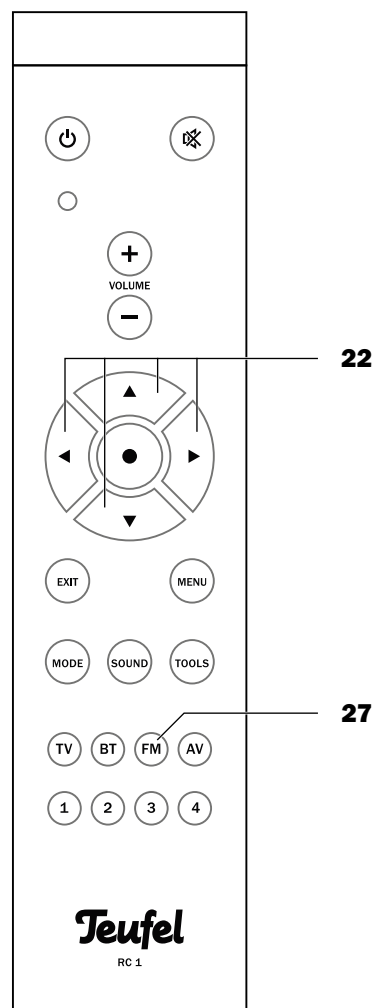
In the “Tuner” menu under “Memory Store” you can store the actual station, or automatically assign the station memory slots (see page 19).

Selecting stations from the memory

With the set buttons ▲/▼ **(22)** you can access the occupied station memory slots in sequence.

Clearing station memory slots

In the “Tuner” menu under “Erase Memory”, you can clear individual or all station memory slots (see page 19).



Software Update

The CoreStation's software undergoes continual development. You can load subsequent versions from our website www.teufelaudio.com/support/.

Installing new software

You will need an empty USB stick with a FAT-32 file system.

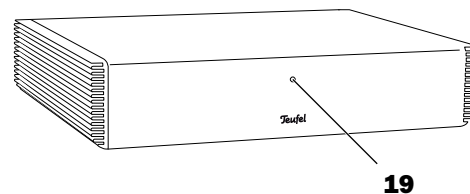
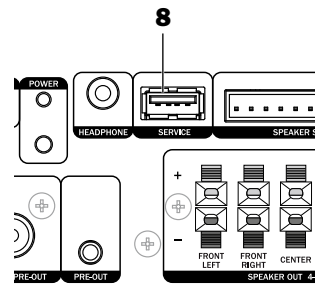
1. Load the new software from our website.
2. Unpack the downloaded file and save all files contained to the USB stick.
3. Pull the mains plug of the CoreStation out of the socket and wait about 5 minutes.
4. Insert the USB stick into the SERVICE jack **(8)**.

Note

Risk of damage!

The CoreStation must not be switched off during the following steps!

5. Insert the mains plug of the CoreStation back in the socket.
The update will begin automatically. The function LED **(19)** will blink in different colours during the installation process.
6. Finally, the CoreStation will reboot.
7. Pull the USB stick out of the SERVICE jack **(8)**.
The new software is now installed.



Cleaning & Maintenance

- Ideally, you should remove dust or small amounts of dirt with a dry, smooth leather cloth.
- Use a damp cloth to rub off stubborn dirt. Make sure that no liquid penetrates the housing.
- Then immediately wipe the damp surfaces off with a soft cloth without applying pressure.

Note

Risk of damage!

Using the wrong cleaning agents may damage the delicate surface of the housing.

- If possible, only use plain water without any additives. In case of stubborn marks, a mild soap solution may be used.
- In no circumstances should caustic cleaning products, white spirit, thinners, petrol or similar be used for cleaning.

Troubleshooting


The following advice should help you to solve problems. If this does not help, you will find useful information in the detailed FAQs on our website. Otherwise, please contact our hotline (see page 3). Take note of the warranty instructions.

Problem	Possible cause	Solution
Function LED (19) blinks in red.	Software error	Restart the CoreStation: Pull the mains plug, wait until the function LED (19) goes out, insert the mains plug back in the socket.
The CoreStation doesn't emit sound.	The wrong source has been selected.	Select the correct source (17).
	The device is set to "mute".	Push the  button or adjust the volume.
	The volume is set to "0".	Increase the volume.
The CoreStation hums.	The CoreStation is connected to a different power circuit from the rest of the system.	Connect the CoreStation to the same power circuit.
	The humming is caused by problems with the power supply.	Buy a line filter and connect all devices to it.
	The humming is caused by a multiple socket strip.	Use a different multiple socket strip or connect the CoreStation directly to the wall socket. It may also help to insert the mains plug in the socket the other way around.
Playback is noisy.	In general, the CoreStation is a very low-noise system. In most cases, the system with very high resolution in the high range area can expose the poor quality of a signal source (e.g. from MP3 files).	Ensure that the source is sending a clear signal to the CoreStation system.
With stereo sources such as the playback of radio or an MP3 player, the rear satellites and/or the center speaker do not emit sound.	MP3s, radio as well as many TV shows only transmit stereo sound.	Switch the CoreStation to a Pro-Logic mode or one of the DSP modes (5.1 Stereo).
No Dolby-/DTS multichannel sound is emitted via the connected digital source.	With the playback of digital sources, the CoreStation automatically recognises the format of the signal source. If the decoder fails to play multi-channel sound, there is presumably no multi-channel signal. Digital signal sources do not always have to transmit multichannel sound, but can also emit regular stereo sound (2.0).	
You cannot toggle the surround configuration.	You are probably using a digital input. If a Dolby or DTS signal is received at this input, the CoreStation will automatically switch to the correct surround configuration.	
No sound is emitted from the speakers on the CoreStation although the TV set does not play back the sound.	The functions CEC and ARC were not activated on the CoreStation.	Activate the CEC and ARC functions in the CoreStation menu (see "HDMI" on page 21).
No sound is emitted from the speaker system of the CoreStation, which is connected via Pre-Out.	The PRE OUT output (11) of the CoreStation has been switched off.	On the CoreStation, switch the mode to 5.1 to activate the PRE OUT output (11) (see "3.1/5.1" on page 22).

Technical Data

Dimensions (WxHxD)	319 x 68 x 240 mm
Weight	3 kg
Operating voltage	230 V~/50 Hz
Max. power consumption	500 watts

You can find further technical data on our website. Technical changes reserved!

 This product conforms with Council of the European Union guidelines 2004/108/EC and 2006/95/EC.

Teufel

Please contact our customer service with any questions, suggestions or criticism:

Lautsprecher Teufel GmbH
Bikini Berlin
Budapester Str. 44
10787 Berlin

Phone: 00800 - 200 300 40
(toll-free)
Fax: +49 (0)30 - 300 930 930
www.teufelaudio.com

No responsibility is assumed for the
correctness of this information.
Technical changes, typographical
errors and other errors reserved.

Instruction No. 92716 GB 20160204