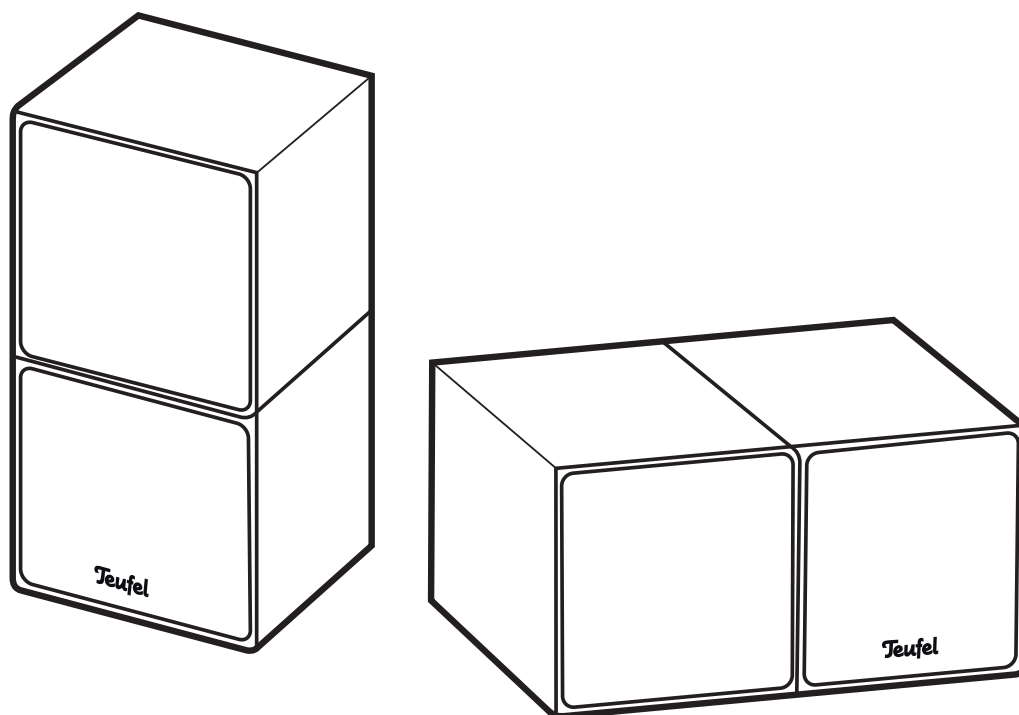


# Technical description and instruction manual

---



**CUBYCON**

## **CUBYCON 2**

Speaker Set

**Teufel**

# General Notes and Information

---

## Proper use

Only use the speaker as described in this instruction manual. Any other use will be deemed as not in accordance with the instructions and may lead to damage of property or even persons. The manufacturer cannot be held liable for damages caused by improper use. The speaker is only intended for private use.



Before operating the speaker, please read the safety notes and instruction manual carefully. Only in this way, can you ensure that all functions are used in a safe and reliable manner. Store the instruction manual in a safe place and also be sure to pass it on to any subsequent owner.

## Notice

The information in this document may change without prior notice and in no way constitutes any liability on the part of Lautsprecher Teufel GmbH. No part of this instruction manual may be reproduced in any form or be broadcast in any way electronically, mechanically, by photocopy or recording without the written permission of Lautsprecher Teufel GmbH.

## Original packaging

If you wish to exercise your right of return, we ask that you be absolutely sure to hold onto the packaging. We can only accept the return of the device with the ORIGINAL PACKAGING. Empty boxes are not available!

## Complaints

In case of a complaint we will need your invoice number and the serial or lot number for processing. The serial number is located on the back side of the device.

Thank you for your support!

## Contact

Please contact our customer service with any questions, suggestions or criticism:

**Lautsprecher Teufel GmbH**  
**BIKINI Berlin**  
**Budapester Str. 44**  
**10787 Berlin (Germany)**

Phone 00800 - 200 300 40 (toll-free)

Fax: +49 (0)30 / 300 930 930

Service: [www.teufelaudio.com/service](http://www.teufelaudio.com/service)

Contact: [www.teufelaudio.com/contact](http://www.teufelaudio.com/contact)

# For Your Safety

## Signal terms

You can find the following signal terms in these instructions:

### **WARNING**

*This signal term indicates a moderate risk, which, if not avoided, may result in death or severe injury.*

### **CAUTION**

*This signal term indicates a low risk, which, if not avoided, may result in minor or moderate injury.*

### **NOTICE**

*This signal term warns you of potential damage.*

## Safety notes

This chapter provides general safety information that should be considered for your own protection and that of others. Please note that additional warnings are listed in the individual chapters as necessary.

### **An unsuitable setup location may result in injury and damage.**

- *If the speakers are not securely mounted, do not use them in vehicles, unstable locations, with insufficient brackets, on wobbly stands or furniture, etc. The speakers could tip over or fall and cause injury to persons or be damaged itself.*
- *Place the speakers in such a way that they cannot be knocked over inadvertently and make sure that the cables do not pose a trip hazard.*
- *If you want to use underframes or speaker stands, only use those recommended by the manufacturer.*
- *Do not place the speakers near heat sources (e.g. heaters, ovens, or other heat generating equipment such as amplifiers etc.).*
- *Do not use the speakers in environments where there is a risk of explosion.*
- *When storing the speakers, also ensure that it stands safely and that it cannot be knocked down or over.*

### **Children can become trapped in the plastic wrapping when playing and suffocate.**

- *Do not allow children to play with the device or the plastic wrapping. Danger of suffocation.*
- *Ensure that children do not remove small parts from the device or take them off of the device. They could swallow the parts and choke.*



### **Extended listening at high volumes may lead to hearing loss.**

- *To avoid damage to health, avoid extended listening at high volumes.*
- *When the volume is set high, always keep a certain distance from the device and never place your ear directly on the speaker.*
- *If the amplifier is set to full volume, this may produce very high sound pressure. This may have psychological consequences and also cause physical injury. Children and pets are particularly at risk. Set your signal source device volume control to a low setting before turning on the power.*

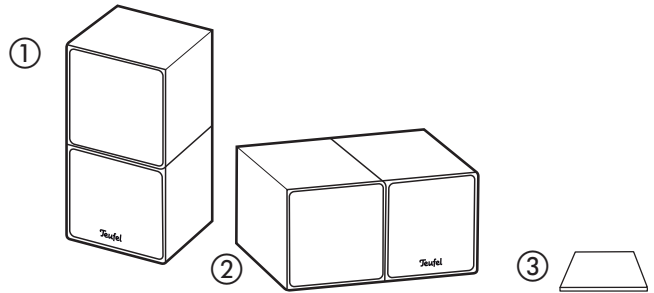
### **Improper use may lead to damage or fire.**

- *Do not place open fire sources such as burning candles or similar on the speakers.*
- *Ensure sufficient ventilation.*
- *Do not expose the speakers to direct sunlight.*
- *Only use the speakers in indoor areas.*
- *Do not use the speakers in wet rooms and protect them against dripping or splashing water. Make sure that no vases or other liquid-filled containers are located on or near the speakers in order to prevent liquid from penetrating the housing.*

# Product Contents

- ① 4 x Satellite speakers CUB 2 FR 15
- ② 1 x Center speaker CUB 2 C 15
- ③ 6x Rubber damping mats

**i** Check that the delivery is complete and nothing is damaged. If you find damage, do not operate the device; instead contact our service department.



## Setting up the Speakers

**i** Comprehensive instructions for correct installation can be found on our website at [www.teufelaudio.com](http://www.teufelaudio.com). Specially designed speaker stands can be ordered from our webshop.

- Select a stable, level base or a suitable wall.
- Make sure that the environment is clean and free from dust.
- Select a location away from heat sources and direct sunlight.
- Do not place any heavy objects on the cord or the speaker.

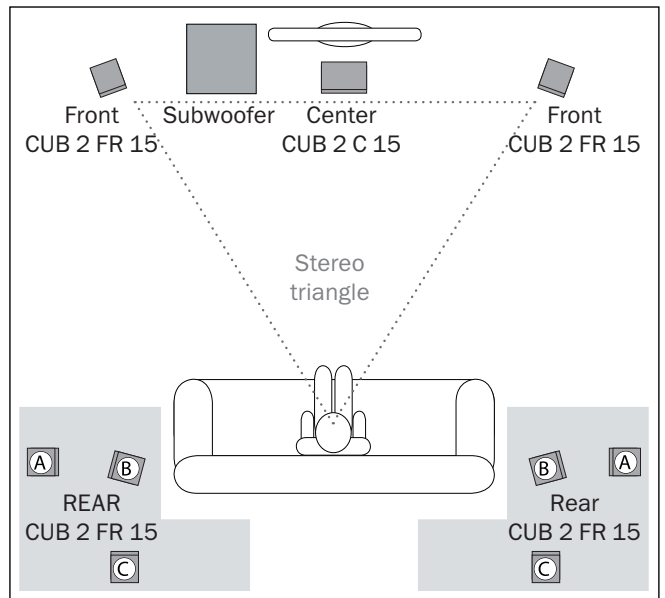
### Setup

The following data concern an “ideal home cinema”, in which the viewer or listener sits in a central position at a sufficient distance in front of the video screen or screen (see the following graphic) and no objects (tables or the like) are located in between. Unfortunately, the room, furnishings or other circumstances do not always allow for optimum arrangement.

Modern software in the players offers diverse possibilities to electronically compensate for possible compromises in the placement. The following general rule applies: You can always experiment on what works best in your listening room in terms of sound and appearance based on our recommendations. Let your ears (and eyes) be the judge!

### Mounting the rubber damping mats

- Affix a rubber damping mat ② to the bottom of the speakers CUB 2 FR 15 and 2 rubber damping mats to the bottom of the center speaker CUB 2 C 15.



### Rear speakers

- The rear speakers are set up or hung next to or behind the listener at a height of 1.20 m to 2.10 m.
- The ideal position is offset by approx. 20 degrees from the parallel position to the listener on the left and right side (A). It is generally recommended that the distance of the rear speakers to the hearer’s place exceeds 1 m. However, if you (need to) sit closer please ensure that the front side of the speaker is not directly facing you. Rather, the speaker must be angled towards the wall (B). Alternatively, you can create a greater distance by placing the speakers higher than 1.20 m (e.g. also on the ceiling) or further away (C).

### Centre Speaker

- Place the centre speaker in a central position under or above the video screen or screen.

## Front Speaker

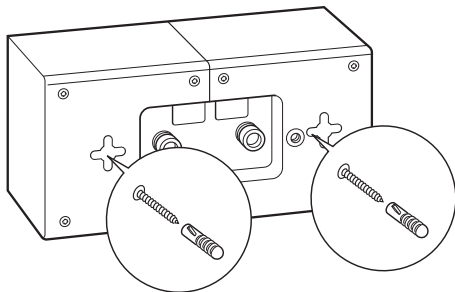
- The front speakers are set up to the right and left of the screen or hung at a height of approx. 80 to 160 cm.
- They should be in line with the centre speaker and form an equilateral triangle with the listener – the so-called stereo triangle (distance from the listener = distance between the speakers).
- The speakers should project sound directly into the room or slightly towards the listener.

## Wall Mounting

### NOTICE

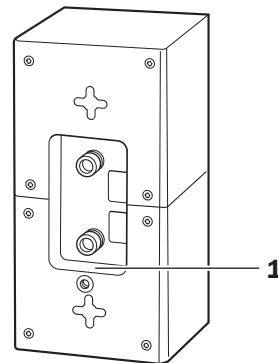
*Improper mounting may cause damage.*

- *If mounting the speaker on the wall, make sure that it is done in a professional manner.*
- *Before drilling the holes, use a metal detector to ensure that there are no electrical cables or pipes in the wall within the drilling area.*
- *Use only suitable screws and dowels for fixing. Verify the carrying capacity of the walls.*



1. Hang the satellite speakers up on the wall using the keyhole openings on the speaker back side and the screws you previously mounted.

## Mounting a wall holder or speaker stand



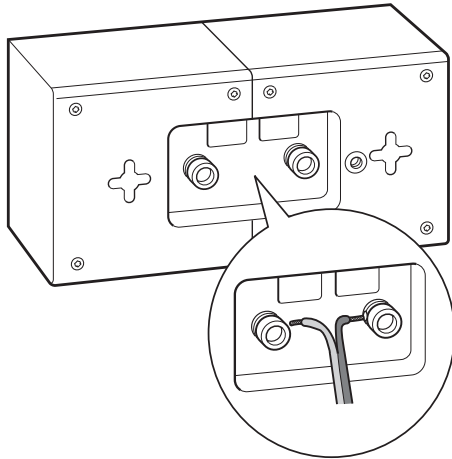
The threaded hole 1 is intended for mounting a wall holder or speaker stand. You can find suitable products for this in our web shop.

# Connecting the Speakers

## ⚠ CAUTION

### Risk of injury/damage!

- Lay the speaker cable so that it does not pose a tripping hazard.

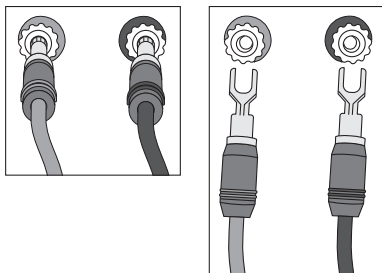


- On the back of the speakers are the connection terminals, with 2 terminal clips. You can connect the speaker cables here directly or with banana plugs or spade terminals from our catalogue. The terminals are marked in red (+) and black(-).

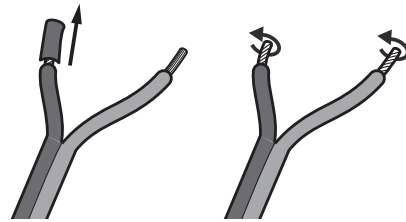
### **i** Make sure the polarity is correct!

Connect the like-coloured terminals together, otherwise the sound quality will suffer. The speaker terminals of your amplifier should be similarly marked. The individual speaker cables are marked with different colours or shapes.

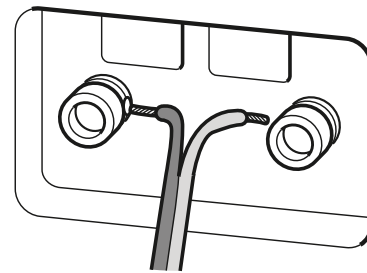
1. Turn off your AV receiver/multi-channel active subwoofer.
2. Lay the speaker cables from your AV receiver/multi-channel active subwoofer to each of the speakers. If your speaker cables are not long enough, order more high-quality double wire cables with marked strands on our website in the “Accessories” area.



3. When you use speaker cables with banana plugs or spade terminals from our catalogue, simply insert the banana plug into the terminal with the matching colour. Spade terminals are pushed under the connector terminals and then tightened.



4. If you use speaker wires without plugs, split the wire down to approx. 30 mm on both ends and remove approx. 10 mm of the insulation on each end. Twist the wire so that no strands are protruding.



5. Turn the connector terminal counterclockwise until loose. Run the stripped cable end into the now visible hole. Close the terminal by turning it clockwise. The cable has now been clamped in place.
6. Connect the other end of the speaker cables to your AV receiver/multi-channel active subwoofer. You should be able to find corresponding notes in the operating instructions of your device.
7. Turn your AV receiver/multi-channel active subwoofer back on.

## Crossover frequency

- Don't use the satellites as full-range speakers.
- It is recommended to set a separation frequency of 200 Hz on the AV receiver. Depending on the sound preferences and spatial conditions you may however also choose a value in the range from 150 to 250 Hz.
- Please be absolutely sure to adhere to the notes in the operating instructions of your AV receiver.

# Care and Cleaning

## NOTICE

**Using the wrong cleaning solution may damage the valuable surface.**

– Under no circumstances should caustic cleaning products, rubbing alcohol, thinners, gasoline, etc. be used for cleaning. Such cleaning products could damage the delicate housing surface.

- Ideally, you should remove dust or small amounts of dirt with a dry, smooth leather cloth.
- Rub off stubborn dirt with a damp cloth. If possible, only use plain water without any additives. In case of stubborn marks, a mild soap solution may be used. Make sure that no liquid penetrates the speakers.
- Then immediately wipe the surfaces dry with a soft cloth without applying pressure.

# Troubleshooting

The following tips should help you to solve any problems. Should you require more help, the FAQs on our website will certainly help you. If you need further assistance, please contact us via the hotline (see page 1). Please pay attention to the warranty details.

Problem	Possible cause	Solution
Playback is noisy.	Generally speaking, the speakers are very low noise. In the high range area, very high-resolution speaker systems can expose the poor quality of a signal source (e.g. from MP3 files).	Make sure that the source is emitting a clear signal.
The sound seems dull.	Speakers have been connected with incorrect polarity.	Check to make sure the cables of all speakers are correctly connected.

# Technical Data

Dimensions (W x H x D)	95x188x95 mm (D=97 mm with cover)
Weight	1.4 kg
Impedance	4–8 Ohm

Further technical data can be found on our website. Technical changes reserved.

# Declaration of Conformity



Lautsprecher Teufel GmbH declares that this product complies with the relevant European and national directives. The full text of the CE Declaration of Conformity can be found at this web address:

[www.teufel.de/konformitaetserklaerungen](http://www.teufel.de/konformitaetserklaerungen)  
[www.teufelaudio.com/declaration-of-conformity](http://www.teufelaudio.com/declaration-of-conformity)

# Disposal

## Important information in accordance with the Electrical and Electronic Equipment Act (Germany: ElektroG)

We advise owners of electrical and electronic appliances that old electrical and electronic devices must be handed in separately from municipal waste, in accordance with the applicable regulations. Batteries and rechargeable batteries that are not firmly enclosed in old electrical devices and lamps, and that can be removed from the old device without destroying them, must be separated from them in a non-destructive manner before they are handed to the collection point for their intended disposal. Please take note of our information on the Batteries Act [Germany: BattG] below for disposing of batteries.

You make an important contribution to returning, recycling and further processing of old devices if you separate your old devices into the correct collection groups for recycling.

The symbol below of a crossed-out dustbin, applied to electrical and electronic appliances, also advises of the duty to separate collections:



Consumer electronics stores and supermarkets are obliged, under certain conditions, to take back old electrical and electronic devices, in accordance with section 17 of the Electrical and Electronic Equipment Act. Stationary retailers must take back an old electrical device of the same type when a new electrical device is bought (1:1 return). This also applies to home deliveries. These retailers must also take back up to three small old electrical devices ( $\leq 25\text{cm}$ ) without this being linked to a new purchase (0:1 return).

In accordance with the Electrical and Electronic Equipment Act, as online retailers of electrical devices and due to our product range, our obligation is limited to 1:1 return of large devices of  $> 50\text{ cm}$  when selling a new electrical or electronic device of the same type. We comply with the obligation of return of devices other than large devices through our service provider. You can find the exact contact data and collection points on our website [www.Teufel.de/entsorgung](http://www.Teufel.de/entsorgung). It is also possible to return old electrical and electronic appliances free of charge at an official delivery point run by the public waste disposal authorities.

**Important:** For safety reasons we ask that you refrain from sending lighting fixtures (some lamps). For return of lighting fixtures please use the public waste disposal collection points or contact us directly at [www.Teufel.de/entsorgung](http://www.Teufel.de/entsorgung).

As an end-user, you are responsible for deleting any personal data on old electrical appliances before handing

it in.

**Important:** Our appliances can contain batteries/rechargeable batteries. If this is the case, please refer to its attached product documentation for additional information on the type and chemical make-up of the battery. For products with battery compartments you can directly remove the batteries or rechargeable batteries and dispose of them properly. If the batteries are built in to the product, do not in any case attempt to remove the batteries yourself, instead contact one of our employees or appropriate specialist staff.









# Teufel

Please contact our customer service department with any questions, suggestions, or complaints:

**Lautsprecher Teufel  
GmbH**

BIKINI Berlin  
Budapester Str. 44  
10787 Berlin (Germany)  
[www.teufelaudio.com](http://www.teufelaudio.com)

Phone.: 00800 200 300 40 (toll-free)  
Fax: +49 (0)30 - 300 930 930  
Service: [www.teufelaudio.com/service](http://www.teufelaudio.com/service)  
Contact: [www.teufelaudio.com/contact](http://www.teufelaudio.com/contact)

No responsibility is assumed for  
the correctness of this information.  
Technical changes, typographical  
errors and other errors reserved.