

Technical Description and Operating Instructions



DEFINION

DEFINION 3S

Bookshelf Speakers

Teufel

Contents

General Notes and Information.....	3	Setting up the Speakers	6
For your information	3	Connecting the Speakers	7
Original packaging.....	3	Care and Cleaning.....	8
Complaints.....	3	Troubleshooting	8
Contact.....	3	Technical Data.....	8
Proper use.....	3	Declaration of Conformity	9
For Your Safety	4	Disposal.....	10
Signal words.....	4	Important information in accordance with the Electrical and Electronic Equipment Act (Germany: ElektroG)	10
Safety notes.....	4		
Unpacking and Preparation.....	5		
Unpacking	5		
Package contents.....	5		
Using the DEFINION 3S speaker stands	5		

General Notes and Information

For your information

The information in this document may change without prior notice and in no way constitutes any liability on the part of Lautsprecher Teufel GmbH.

No part of this installation guide may in any way be reproduced or broadcast electronically, mechanically, or by photocopy or recording without the written permission of Lautsprecher Teufel GmbH.

© Lautsprecher Teufel GmbH

Version 3.0

March 2022

Original packaging

If you wish to use your right of return, we ask that you be absolutely sure to hold on to the packaging. We can only accept the return of the product WITH THE ORIGINAL PACKAGING.

Empty boxes are not available.

Complaints

If you would like to file a complaint, we will need the following information to process your inquiry:

1. Invoice number

Can be found on the sales slip (enclosed with the product) or on the order confirmation you received as a PDF document, e.g. 4322543.

2. Serial number or batch number

Located on the back of the device, e.g. Serial No.: TH04....

Thank you for your assistance!

Contact

Please contact our customer service with any questions, suggestions or criticism:

Lautsprecher Teufel GmbH

BIKINI Berlin

Budapester Str. 44

10787 Berlin (Germany)

Phone 00800 - 200 300 40 (toll-free)

Fax: +49 (0)30 / 300 930 930

Service: www.teufelaudio.com/service

Contact: www.teufelaudio.com/contact

Proper use

Only use the speakers as described in these operating instructions. Any other use will be deemed as not in accordance with the instructions and may lead to damage of property or even persons.

The manufacturer accepts no liability for damage caused by use not in accordance with the instructions.

The speakers are intended for private use.



Before you operate the device, please first carefully read through the safety notes and installation guide. Only then can you ensure that all functions are used in a safe and reliable manner. Store the installation guide in a safe place and also be sure to give it to any subsequent owner.

For Your Safety

Signal words

You can find the following signal words in these instructions:

WARNING

This signal word indicates a moderate risk which, if not avoided, may result in severe injury or death.

CAUTION

This signal word indicates a low risk which, if not avoided, may result in minor or moderate injury.

NOTICE

This signal word warns of potential damage.



This symbol provides you with useful additional information on handling and use.

Safety notes

This chapter provides general safety information that should be considered for your own protection and that of others. Please note that additional warnings are listed in the individual chapters as necessary.

An unstable setup location may result in injury and damage.

- If the speakers are not securely mounted, do not use them in vehicles, unstable locations, with insufficient brackets, on wobbly stands or furniture, etc. The speakers could tip over or fall and cause injury to persons or be damaged itself.
- Place the speakers in such a way that they cannot be inadvertently knocked over and make sure that the cables do not pose a trip hazard.
- Do not place the speakers near sources of heat (e.g. heaters, ovens, other heat generating equipment such as amplifiers etc.).
- Do not place the speakers in direct sunlight.
- Do not place any open fires, such as burning candles, lamps, etc., on the speakers.
- Do not use the speakers in environments where

there is a risk of explosion.

- Only use the speakers indoors.
- Do not use the speakers in damp rooms and protect them from dripping and splashing water.

An unstable base may cause the unit to tip and injure or even kill persons; children are particularly at risk. You can prevent a large number of accidents by taking the following precautions:

- If you want to use underframes or speaker stands, only use those recommended by the manufacturer.
- When storing the speakers, ensure that it stands safely and cannot be knocked down or over.

Children can become trapped in the plastic wrapping while playing and suffocate.

- Do not allow children to play with the speakers and plastic wrapping.
- Ensure that children do not remove small parts from the device or take them off of the device (e.g. control knobs or plug adapters). They could swallow the parts and choke.



Extended listening at high volumes may lead to hearing loss.

To prevent damage to health, avoid extended listening at high volumes.

- When the volume is set high, always keep a safe distance from the device and never place your ear directly on the speaker.
- If a speaker is set to full volume, it may produce very high sound pressure. This may have psychological consequences and also cause physical injury. Children and pets are particularly at risk. Set the volume control of your device to a low setting before turning on the power.

Unpacking and Preparation

Unpacking

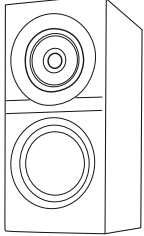

⚠ WARNING

Children can become trapped in the plastic wrapping while playing and suffocate.

- Do not allow children to play with the speakers and plastic wrapping.
- Ensure that children do not take small parts out of the box. They could swallow the parts and choke.

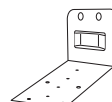
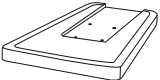
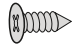
Carefully open the box, remove the EPE foam half shell and carefully lift the speakers out of the box without reaching into the diaphragms.

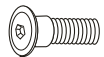

Package contents

No.	Qty.	Part	
①	2	Speaker DEFINION 3S	
②	8	Rubber pads	

Material for mounting on the DEFINION 3S speaker stands

The mounting plates, the mounting brackets, and further assembly material for mounting the speakers on the DEFINION 3S stands are shipped in a separate package.

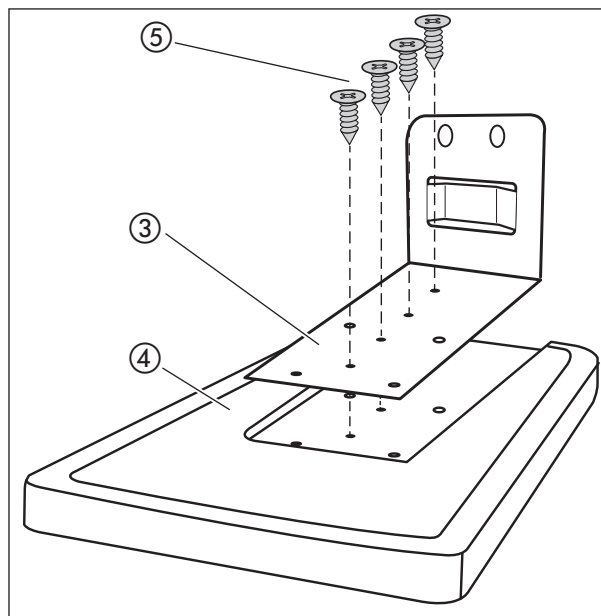
No.	Qty.	Part	
③	2	Mounting bracket	
④	2	Mounting plate	
⑤	8	Phillips-head screw	

No.	Qty.	Part	
⑥	4	Allen screw	
⑦	1	Allen wrench	

- Check that all items have been delivered and nothing is damaged. If there are damaged or missing parts, do not use the device and please contact customer service (see page 3).
- Do not use damaged parts.

Using the DEFINION 3S speaker stands

i If you have ordered the appropriate DEFINION 3S speaker stands, install these first.



- Using a Phillips-head screwdriver, attach the mounting brackets ② to the mounting plate ③ using the Phillips-head screws ④. Corresponding screw holes have been drilled into the mounting plate.
- Continue with the installation as described in the installation instructions for the DEFINION 3S speaker stands.

Setting up the Speakers

⚠ CAUTION

Set up the speakers in such a manner so they cannot be accidentally knocked over and make sure the cables do not pose a trip hazard.

i Comprehensive instructions for correct installation can be found on our website at www.teufelaudio.com.

Specially designed speaker stands can be ordered from our webshop.

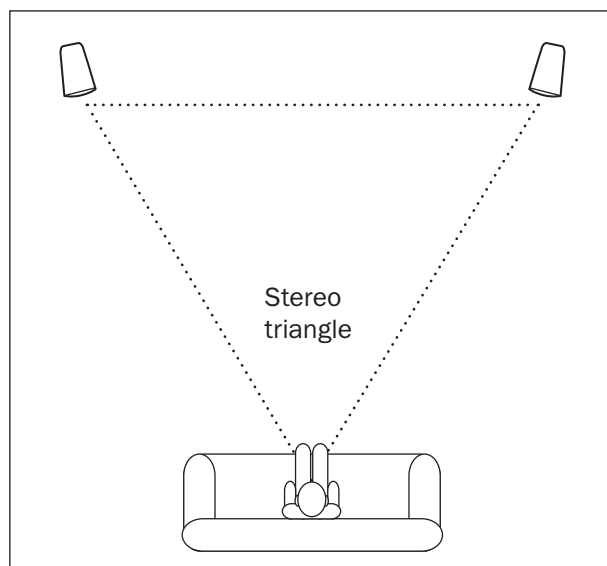
- Select a stable, level base and make sure the speaker stands are firmly positioned.
- Make sure the area is dry and dust free.
- Avoid placing the subwoofer close to sources of heat or in direct sunlight.
- Do not place any heavy objects on the speakers or cables.

To optimize the full sound potential,

- If possible, position the speakers in the room so that they are free-standing. The ideal distance to the back wall should be at least 0.5 m.
- set up the speakers so that the listening position and the two speakers form an equilateral or, at the least, an isosceles triangle.
- make sure that the distance from the speakers to the listener is at least 2 m.

These notes are a recommendation. Depending on the room layout and listening situation, it may be worth trying out various setups.

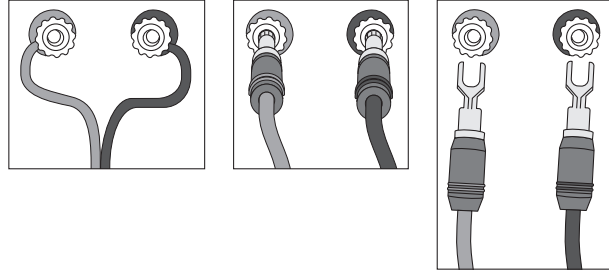
The speaker performance will of course benefit from the quality of the components connected and the accessories used.



Connecting the Speakers

i The DEFINION 3S speakers are delivered without speaker cables due to different customer requirements. Suitable cables are available in our webshop (www.teufelaudio.com) under the “Accessories” category.

- On the back of the speakers are the connection terminals, with 2 terminal clips. You can connect the speaker cables here directly or with banana plugs or spade terminals from our catalogue. The terminals are marked in red (+) and black(-).

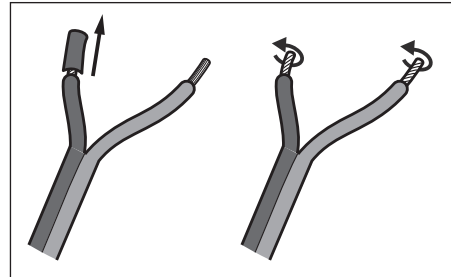


i **Make sure the polarity is correct!**

Connect the like-coloured terminals together, otherwise the sound quality will suffer. The speaker terminals of your amplifier should be similarly marked. The individual speaker cables are marked with different colours or shapes.

1. Turn off your amplifier/AV receiver.
2. Lay the speaker cables from your amplifier/AV receiver to each of the speakers.
3. When you use speaker cables with banana plugs or spade terminals from our catalogue, simply insert the banana plug into the terminal with the matching colour.
Spade terminals are pushed under the connector terminals and then tightened.

4. If you use speaker wires without plugs, split the wire down to approx. 30 mm on both ends and remove approx. 10 mm of the insulation on each end. Twist the wire so that no strands are protruding.



5. Turn the connector terminal counterclockwise until loose. Run the stripped cable end into the now visible hole. Close the terminal by turning it clockwise. The cable has now been clamped in place.

6. Connect the other end of the speaker cables to your amplifier/AV receiver. You should be able to find corresponding notes in the operating instructions of your device.

7. Turn your amplifier/AV receiver back on.

Care and Cleaning

NOTE

Using the wrong cleaning solution may damage the valuable surface.

- If possible, only use plain water without any additives. In case of stubborn marks, a mild soap solution may be used.
- Under no circumstances should caustic cleaning products, rubbing alcohol, thinners, gasoline, etc. be used for cleaning. Such cleaning products could damage the delicate housing surface.

- Ideally, you should remove dust or small amounts of dirt with a dry, smooth leather cloth.
- Rub off stubborn dirt with a damp cloth. Make sure that no liquid penetrates the speakers.
- Then immediately wipe the surfaces dry with a soft cloth without applying pressure.

Troubleshooting

The following tips should help you to solve any problems. Should you require more help, the FAQs on our website will certainly help you. If you need further assistance, please contact us via the hotline (see page 3). Please pay attention to the warranty details.

Problem	Possible cause	Solution
Playback is noisy.	Generally speaking, the speakers are very low noise. In the high range area, very high-resolution speaker systems can expose the poor quality of a signal source (e.g. from MP3 files).	Make sure that the source is emitting a clear signal.
The sound seems dull.	Speakers have been connected with incorrect polarity.	Check to make sure the cables of all speakers are correctly connected.

Technical Data

Dimensions incl. stands (WxHxD)	200x430x380 mm
Weight	13 kg
Impedance	4 Ohm

Further technical data can be found on our website. Technical changes reserved.

Declaration of Conformity



Lautsprecher Teufel GmbH declares that this product complies with the relevant European and national directives. The full text of the CE Declaration of Conformity can be found at this web address:

www.teufel.de/konformitaetserklaerungen

www.teufelaudio.com/declaration-of-conformity

Disposal

Important information in accordance with the Electrical and Electronic Equipment Act (Germany: ElektroG)

We advise owners of electrical and electronic appliances that old electrical and electronic devices must be handed in separately from municipal waste, in accordance with the applicable regulations. Batteries and rechargeable batteries that are not firmly enclosed in old electrical devices and lamps, and that can be removed from the old device without destroying them, must be separated from them in a non-destructive manner before they are handed to the collection point for their intended disposal. Please take note of our information on the Batteries Act [Germany: BattG] below for disposing of batteries.

You make an important contribution to returning, recycling and further processing of old devices if you separate your old devices into the correct collection groups for recycling.

The symbol below of a crossed-out dustbin, applied to electrical and electronic appliances, also advises of the duty to separate collections:



Consumer electronics stores and supermarkets are obliged, under certain conditions, to take back old electrical and electronic devices, in accordance with section 17 of the Electrical and Electronic Equipment Act. Stationary retailers must take back an old electrical device of the same type when a new electrical device is bought (1:1 return). This also applies to home deliveries. These retailers must also take back up to three small old electrical devices ($\leq 25\text{cm}$) without this being linked to a new purchase (0:1 return).

In accordance with the Electrical and Electronic Equipment Act, as online retailers of electrical devices and due to our product range, our obligation is limited to 1:1 return of large devices of $> 50\text{ cm}$ when selling a new electrical or electronic device of the same type. We comply with the obligation of return of devices other than large devices through our service provider. You can find the exact contact data and collection points on our website www.Teufel.de/entsorgung. It is also possible to return old electrical and electronic appliances free of

charge at an official delivery point run by the public waste disposal authorities.

Important: For safety reasons we ask that you refrain from sending lighting fixtures (some lamps). For return of lighting fixtures please use the public waste disposal collection points or contact us directly at www.Teufel.de/entsorgung.

As an end-user, you are responsible for deleting any personal data on old electrical appliances before handing it in.

Important: Our appliances can contain batteries/rechargeable batteries. If this is the case, please refer to its attached product documentation for additional information on the type and chemical make-up of the battery. For products with battery compartments you can directly remove the batteries or rechargeable batteries and dispose of them properly. If the batteries are built in to the product, do not in any case attempt to remove the batteries yourself, instead contact one of our employees or appropriate specialist staff.

Teufel

Please contact our customer service department with any questions, suggestions, or complaints:

Lautsprecher Teufel GmbH
BIKINI Berlin
Budapester Str. 44
10787 Berlin (Germany)
www.teufelaudio.com

Phone.: 00800 200 300 40 (toll-free)
Fax: +49 (0)30 - 300930930
Service: www.teufelaudio.com/service
Contact: www.teufelaudio.com/contact

No responsibility is assumed for the correctness of this information. Technical changes, typographical errors and other errors reserved.