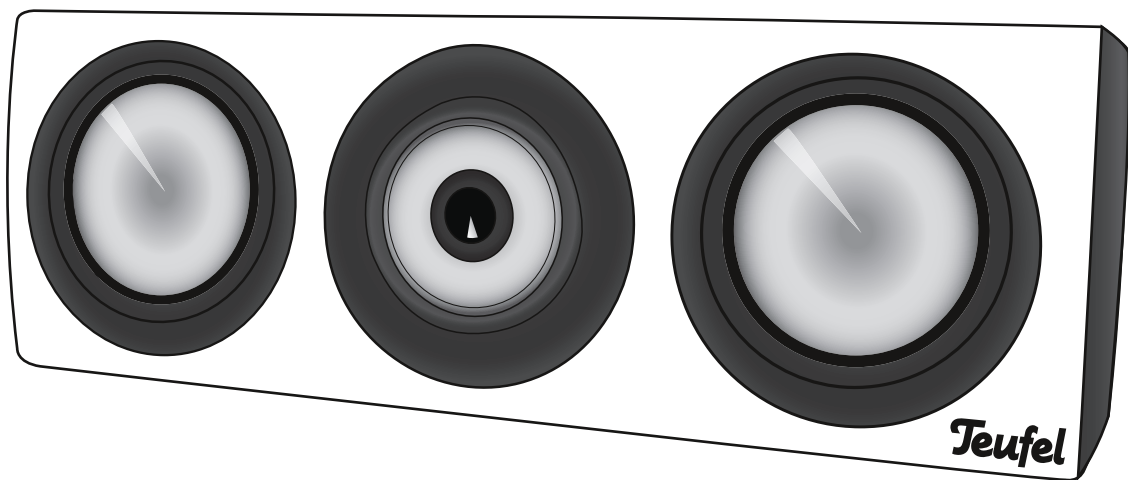


Technical Description and Instruction Manual



DEFINITION

DEFINITION 3 CENTER

Center Speaker

Teufel

Contents

General Notes and Information	3
Notice	3
Original packaging	3
Complaints	3
Contact	3
Proper use	3
For Your Safety	4
Signal terms	4
Safety notes	4
Product Contents and Preparation	5
Unpacking	5
Checking the product contents	5
Setting Up the Speaker	6
Screwing the Wall Bracket onto the Wall	7
Connecting the Speaker	8
Mounting the Speaker on the Wall Bracket	9
Cleaning & Maintenance	10
Troubleshooting	10
Technical Data	11
Declaration of Conformity	11
Disposal	12
Important information in accordance with the Electrical and Electronic Equipment Act (Germany: ElektroG)	12

General Notes and Information

Notice

The information in this document may change without prior notice and in no way constitutes any liability on the part of Lautsprecher Teufel GmbH.

No part of this instruction manual may be reproduced in any form or be broadcast in any way electronically, mechanically, by photocopy or recording without the written permission of Lautsprecher Teufel GmbH.

© Lautsprecher Teufel GmbH

Version 3.0

March 2022

Original packaging

If you wish to exercise your right of return, we ask that you be absolutely sure to hold onto the packaging. We can only accept the return of the speakers WITH THE ORIGINAL PACKAGING.

Empty boxes are not available!

Complaints

In case of complaint we will need the following information to process your enquiry:

1. Invoice number

Can be found on the sales slip (enclosed with the product) or on the order confirmation received as a PDF document, e.g. 4322543

2. Serial number or batch number

Located on the back of the device,
e.g. serial no.: KB20240129A-123.

Thank-you for your support!

Contact

Please contact our customer service with any questions, suggestions or criticism:

Lautsprecher Teufel GmbH

BIKINI Berlin

Budapester Str. 44

10787 Berlin (Germany)

Phone 00800 - 200 300 40 (toll-free)

Fax: +49 (0)30 / 300 930 930

Service: www.teufelaudio.com/service

Contact: www.teufelaudio.com/contact

Proper use

Only use the speaker as described in this instruction manual. Any other use will be deemed as not in accordance with the instructions and may lead to damage of property or even persons.

The manufacturer cannot be held liable for damages caused by improper use.

The speaker is only intended for private use.



Before operating the speaker, please read the safety notes and instruction manual carefully. Only in this way, can you ensure that all functions are used in a safe and reliable manner. Store the instruction manual in a safe place and also be sure to pass it on to any subsequent owner.

For Your Safety

Signal terms

You can find the following signal terms in these instructions:

WARNING

This signal term indicates a moderate risk, which, if not avoided, may result in death or severe injury.

CAUTION

This signal term indicates a low risk, which, if not avoided, may result in minor or moderate injury.

NOTICE

This signal term warns you of potential damage.

Safety notes

This chapter contains general safety notes which you should always observe to protect yourself and third parties. Also observe the warning notes in each chapter of this instruction manual.

An unsuitable setup location may result in injury and damage.

- If the speaker is not securely mounted, do not use it in vehicles, in unstable locations, on wobbly stands or furniture, on insufficient brackets etc. The speaker may tip or fall over and cause injury to persons or be damaged itself.
- Place the speaker in such a way that it cannot be knocked over inadvertently and make sure that the cables do not pose a trip hazard.
- Do not place the speaker near heat sources (e.g. heaters, ovens, or other heat generating equipment such as amplifiers etc.).
- Do not expose the speaker to direct sunlight.
- Do not place open fire sources such as burning candles or similar on the speaker.
- Do not use the speaker in environments where there is a risk of explosion.
- Only use the speaker indoors and not in wet rooms; protect it from dripping and splashing water.

An unstable base may cause the speaker to tip over and inflict serious or fatal injury. Children are particularly at risk. You can prevent a large number of accidents by taking the following precautions:

- If you want to use underframes or speaker stands, only use those recommended by the manufacturer.
- When storing the speaker, also ensure that it stands safely and that it cannot be knocked down or over.

Children can become trapped in the plastic wrapping when playing and suffocate.

- Do not allow children to play with the speaker and the plastic wrapping.
- Ensure that children do not remove small parts from the device or take them off of the device (e.g. assembly parts). They could swallow the parts and choke.



Extended listening at high volumes may lead to hearing loss.

To avoid damage to health, avoid extended listening at high volumes.

- When the volume is set high, always keep a certain distance from the device and never place your ear directly on the speaker.
- If the amplifier is set to full volume, it may produce very high sound pressure. This may have psychological consequences and also cause physical injury. Children and pets are particularly at risk. Set the volume control of your amplifier to a low setting before you turn it on.

Product Contents and Preparation

Unpacking

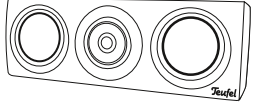
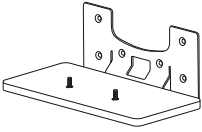
⚠ WARNING

Children can become trapped in the plastic wrapping when playing and suffocate.

- Do not allow children to play with the plastic wrapping.
- Make sure that children do not take any assembly parts out of the box. They could swallow the parts and choke.

Carefully open the box, take out the EPE foam half shell and carefully lift the speaker out of the box without touching the diaphragms.

Checking the product contents

Item	Units	Article	
①	1	Speaker DEFINION3CENTER	
②	1	Wall bracket with 2 screws M6x35	

- Check that all items have been delivered and that nothing is damaged. If anything is missing or damaged, please contact our service department (see page 3).
- Do not operate any damaged parts.

Setting Up the Speaker

CAUTION

Place the speaker in such a way that it cannot be knocked over inadvertently and make sure that the cables do not pose a trip hazard.



You can also find extensive notes on proper arrangement on our website

www.teufelaudio.com.

You can find speaker stands specially designed for the speakers in our webshop.

- The DEFINION 3 CENTER must be set up directly under the screen. You can place it in a horizontal position or hang it on the wall. If you mount it on the wall, please be absolutely sure to observe the notes on the next page.
- Select a stable, level base and make sure that the speaker is securely positioned.
- Make sure that the environment is clean and free from dust.
- Select a location away from heat sources and direct sunlight.
- Do not place any heavy objects on the cord or the speaker.
- The threaded holes on the bottom of the speaker are for mounting the speaker on a speaker stand or wall bracket.

Screwing the Wall Bracket onto the Wall

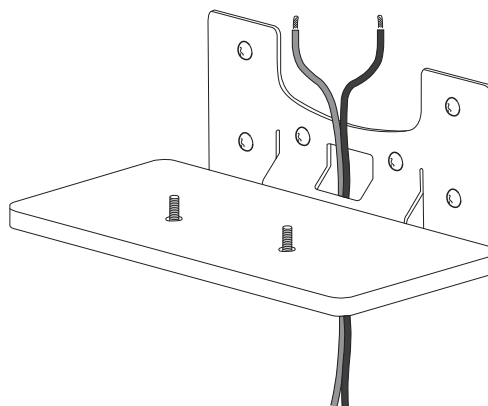
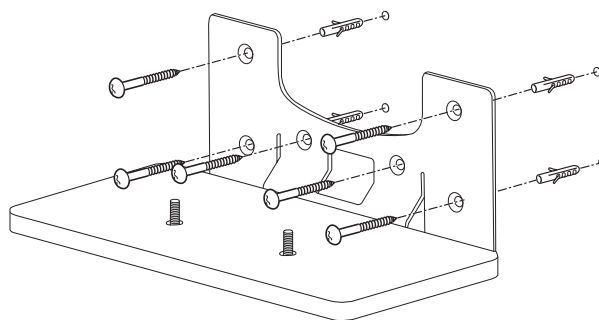
The DEFINION 3 CENTER is ideally suited for wall mounting. Use the enclosed wall bracket ② for this. Be absolutely sure to observe the following notes before you begin mounting the wall bracket:

NOTICE

Improper mounting may cause damage.

- Make sure that the wall mounting is done in a professional manner.
- Make sure that the walls have the required load-bearing capacity and only use suitable screws and dowels for mounting. If you are unsure about these points, consult a qualified professional.
- Before drilling the holes, use a metal detector to ensure that there are no electrical cables or pipes in the wall within the drilling area.

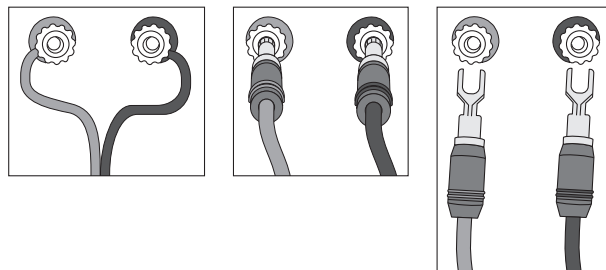
1. Transfer the mounting holes for the wall bracket to the wall.
2. Using a metal detector, make sure that there are no cables or pipes around the drill sites. If necessary, select another area for mounting the speaker.
3. Drill the dowel holes into the marked areas.
4. Insert the dowels all the way into the drill holes and use suitable screws to screw the wall bracket onto the wall.
5. Run the speaker cable through the wall bracket (see the fig. on the right) before you secure the speaker on the wall bracket.



Connecting the Speaker

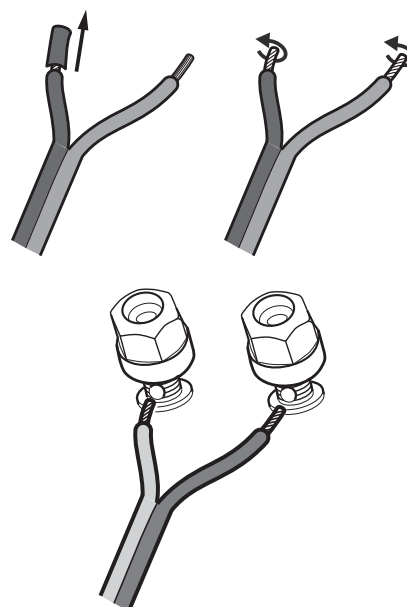
i Due to differing customer requirements, the DEFINION 3 CENTER speakers are shipped without speaker cables. You can find suitable cables in our webshop (www.teufelaudio.com) in the “Accessories” area.

- The connector terminal with two pole terminals is located on the back of the speaker. You can connect the speaker cable directly or use pin plugs or cable shoes from our product assortment. The terminals are marked in red (+) and black (-).



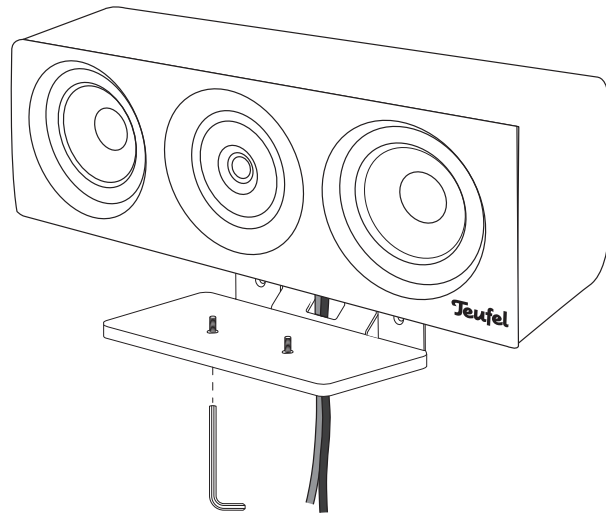
i **Make sure the polarity is correct!** Connect the like-coloured terminals with one another, otherwise, the sound quality will suffer. The speaker connections of your amplifier should be similarly marked. The individual strands of the speaker cables are marked with different colours or shapes.

1. Turn off your amplifier/AV receiver.
2. Lay the speaker cable from each speaker to their amplifier/AV receiver.
3. If you use a speaker cable with pin plugs or cable shoes from our product range, simply insert the pin plugs into the like-coloured connector terminals. Cable shoes are slid under the terminals and clamped in place.
4. If you use speaker wires without plugs, split the wire down to approx. 30 mm on both ends and remove approx. 10 mm of the insulation on each end. Twist the single wire so that no strands are protruding.
5. Turn the connector terminal counterclockwise until loose. Run the stripped cable end into the now visible hole. Close the terminal by turning it clockwise. The cable has now been clamped in place.
6. Connect the other end of the speaker cables to your amplifier/AV receiver. You should be able to find corresponding notes in the operating instructions of your device.
7. Turn your amplifier/AV receiver back on.



Mounting the Speaker on the Wall Bracket

- Two M6×35 screws are located in the carrier plate of the wall bracket.
- Two M6 threaded holes are located on the bottom of the DEFINION 3 CENTER as matching points for the screws.
- Place the DEFINION 3 CENTER on the middle of the carrier plate and secure it with the two screws.



Cleaning & Maintenance

NOTICE

Using the wrong cleaning agents may damage the high-quality surface.

– Do not use caustic cleaning products, white spirit, thinner, petrol or similar under any circumstances. Such cleaning agents may damage the delicate surface of the housing.

- Ideally, you should remove dust or small amounts of dirt with a dry, smooth leather cloth.
- Rub off stubborn dirt with a damp cloth. Make sure that no liquid penetrates the speakers.
- If possible, only use plain water without any additives. In case of stubborn marks, a mild soap solution may be used.
- Then immediately wipe the surfaces dry with a soft cloth without applying pressure.

Troubleshooting

The following advice should help you to solve problems. If this does not help, you will find useful information in the detailed FAQs on our website. Otherwise, please contact our hotline (see page 3). Take note of the warranty instructions.

Problem	Possible cause	Solution
Playback is noisy.	Generally speaking, the speakers are very low noise. In the high range area, very high-resolution speaker systems can expose the poor quality of a signal source (e.g. from MP3 files).	Make sure that the source is emitting a clear signal.
The sound seems dull.	Speakers have been connected with incorrect polarity.	Check to make sure the cables of all speakers are correctly connected.

Technical Data

Dimensions of the carrier plate (WxHxD)	590 x 200 x 190 mm
Weight	12 kg
Impedance	4 ohm

You can find further technical data on our website. Technical changes reserved!

Declaration of Conformity



Lautsprecher Teufel GmbH declares that this product complies with the relevant European and national directives. The full text of the CE Declaration of Conformity can be found at this web address:

www.teufel.de/konformitaetserklaerungen

www.teufelaudio.com/declaration-of-conformity

Disposal

Important information in accordance with the Electrical and Electronic Equipment Act (Germany: ElektroG)

We advise owners of electrical and electronic appliances that old electrical and electronic devices must be handed in separately from municipal waste, in accordance with the applicable regulations. Batteries and rechargeable batteries that are not firmly enclosed in old electrical devices and lamps, and that can be removed from the old device without destroying them, must be separated from them in a non-destructive manner before they are handed to the collection point for their intended disposal. Please take note of our information on the Batteries Act [Germany: BattG] below for disposing of batteries.

You make an important contribution to returning, recycling and further processing of old devices if you separate your old devices into the correct collection groups for recycling.

The symbol below of a crossed-out dustbin, applied to electrical and electronic appliances, also advises of the duty to separate collections:



Consumer electronics stores and supermarkets are obliged, under certain conditions, to take back old electrical and electronic devices, in accordance with section 17 of the Electrical and Electronic Equipment Act. Stationary retailers must take back an old electrical device of the same type when a new electrical device is bought (1:1 return). This also applies to home deliveries. These retailers must also take back up to three small old electrical devices ($\leq 25\text{cm}$) without this being linked to a new purchase (0:1 return).

In accordance with the Electrical and Electronic Equipment Act, as online retailers of electrical devices and due to our product range, our obligation is limited to 1:1 return of large devices of $> 50\text{ cm}$ when selling a new electrical or electronic device of the same type. We comply with the obligation of return of devices other than large devices through our service provider. You can find the exact contact data and collection points on our website www.Teufel.de/entsorgung. It is also possible to

return old electrical and electronic appliances free of charge at an official delivery point run by the public waste disposal authorities.

Important: For safety reasons we ask that you refrain from sending lighting fixtures (some lamps). For return of lighting fixtures please use the public waste disposal collection points or contact us directly at www.Teufel.de/entsorgung.

As an end-user, you are responsible for deleting any personal data on old electrical appliances before handing it in.

Important: Our appliances can contain batteries/rechargeable batteries. If this is the case, please refer to its attached product documentation for additional information on the type and chemical make-up of the battery. For products with battery compartments you can directly remove the batteries or rechargeable batteries and dispose of them properly. If the batteries are built in to the product, do not in any case attempt to remove the batteries yourself, instead contact one of our employees or appropriate specialist staff.

Teufel

Please contact our customer service department with any questions, suggestions, or complaints:

Lautsprecher Teufel GmbH
BIKINI Berlin
Budapester Str. 44
10787 Berlin (Germany)
www.teufelaudio.com

Phone.: 00800 200 300 40 (toll-free)
Fax: +49 (0)30 - 300 930 930
Service: www.teufelaudio.com/service
Contact: www.teufelaudio.com/contact

No responsibility is assumed for the correctness of this information. Technical changes, typographical errors and other errors reserved.