

Technical Description and Operating Instructions



Speaker Stand DEF 5S S1 for Definion 5S

Teufel

Contents

General notes and information	2	Unpacking and product contents	3
Notice	2	Product contents	3
Original packaging	2	Mounting the speaker stand	4
Complaints	2	Technical data	7
Contact	2		
Proper use	2		
For your safety	3		
Safety notes	3		

General notes and information

Notice

The information in this document may change without prior notice and in no way constitutes any liability on the part of Lautsprecher Teufel GmbH.

No part of these instructions may be reproduced in any form or be broadcasted in any way electronically, mechanically, by photocopy or recording without the written permission of Lautsprecher Teufel GmbH.

© Lautsprecher Teufel GmbH

Version 2.0

March 2022

Original packaging

If you wish to exercise your right of return, we ask that you be absolutely sure to hold onto the packaging. We can only accept the return of the speakers WITH THE ORIGINAL PACKAGING.

Empty boxes are not available!

Complaints

In case of complaint we will need the following information to process your enquiry. It can be found on the sales slip (enclosed with the product) or on the order confirmation received as a PDF document, e.g. 4322543

Many thanks for your support!

Contact

For questions, suggestions or any other issues please contact our customer service department:

Lautsprecher Teufel GmbH
BIKINI Berlin
Budapester Str. 44
10787 Berlin (Germany)

Phone 00800 - 200 300 40 (toll-free)

Fax: +49 (0)30 / 300 930 930

Service: www.teufelaudio.com/service

Contact: www.teufelaudio.com/contact

Proper use

Only use the speakers as described in these operating instructions. Any other use will be deemed as not in accordance with the instructions and may lead to damage of property or even persons.

The manufacturer accepts no liability for damage caused by use not in accordance with the instructions.

The speakers are intended for domestic use.



Before operating the speakers please read the safety notes and operating instructions carefully. Only in this way, can you ensure that all functions are used in a safe and reliable manner. Keep the operating instructions safe and pass them on to anyone who may own the unit after you.

Safety notes

WARNING

Children can become trapped in the packing film when playing and suffocate.

- Do not allow children to play with the unit or the packing film. Danger of suffocation.

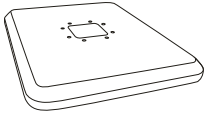


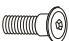

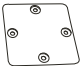
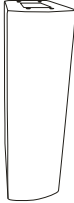
WARNING

Ensure that children do not remove small parts from the unit or take them off of the unit (e.g. control knobs or plug adapters). They could swallow the parts and choke.

Unpacking and product contents

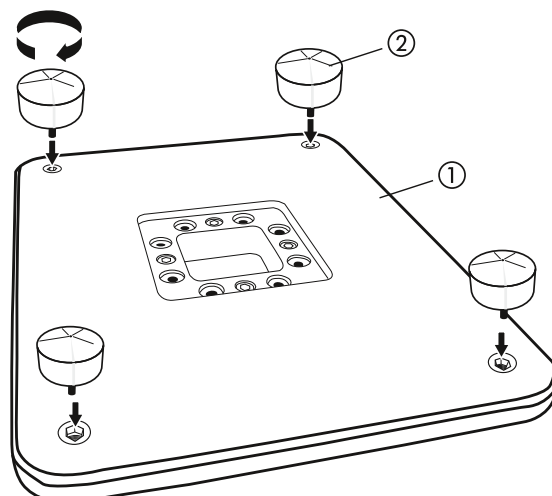
Product contents

- Check to make sure that the product contents are complete. If a part is missing, please contact our service department (see page 2).
- The carrier plate including the mounting bracket are shipped in separate packaging. The carrier plates differ depending on the speaker type (horizontal / vertical).

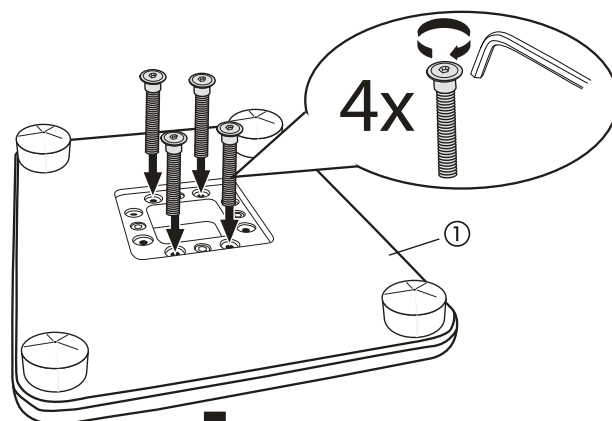
Item	Unit	Article	
①	1	Base plate	
②	4	Flat spikes	
③	8	Hexagon socket screws	
	4		
④	1	Allen key	
⑤	1	Cover plate	
⑥	1	Column	

Mounting the speaker stand

1. Screw the 4 flat spikes ② onto the bottom of the base plate ①.



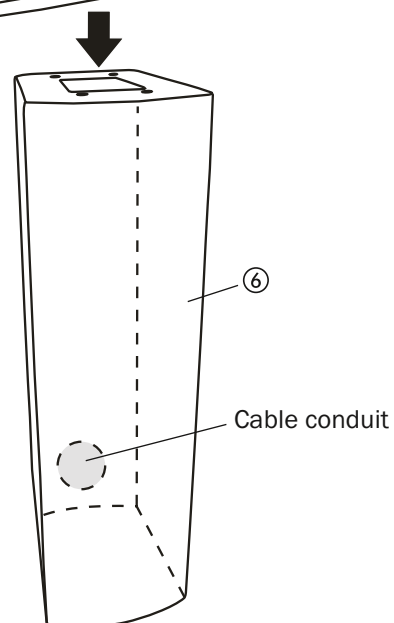
2. Screw the base plate ① onto the column ⑥ with 4 long screws so that the cable conduit is located on the other end. For vertical alignment adjust the column that its short side looks to the front. For the horizontal alignment its long side should look to the front.



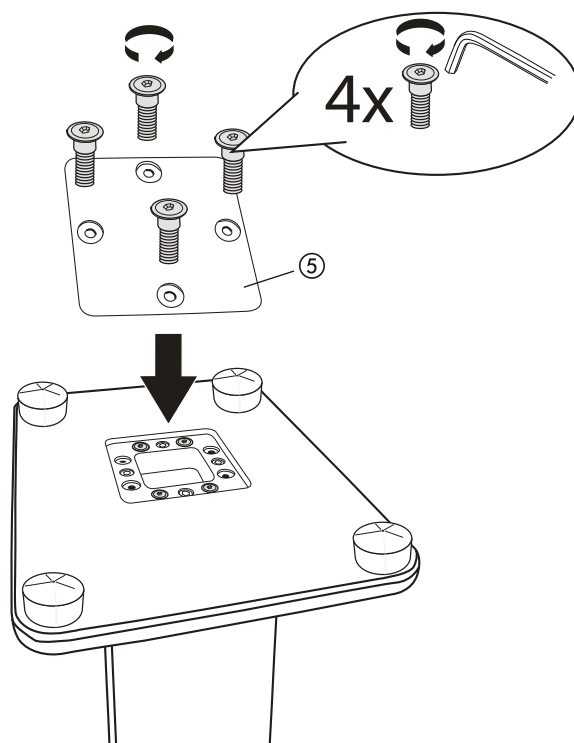
Vertical alignment



Horizontal alignment



3. For attenuation of the speaker system you should fill the column with quartzose sand. To seal to column you must screw the cover plate onto the the opening of the carrier plate. Please remember that in this particular case running a speaker cable through the column is not recommended.



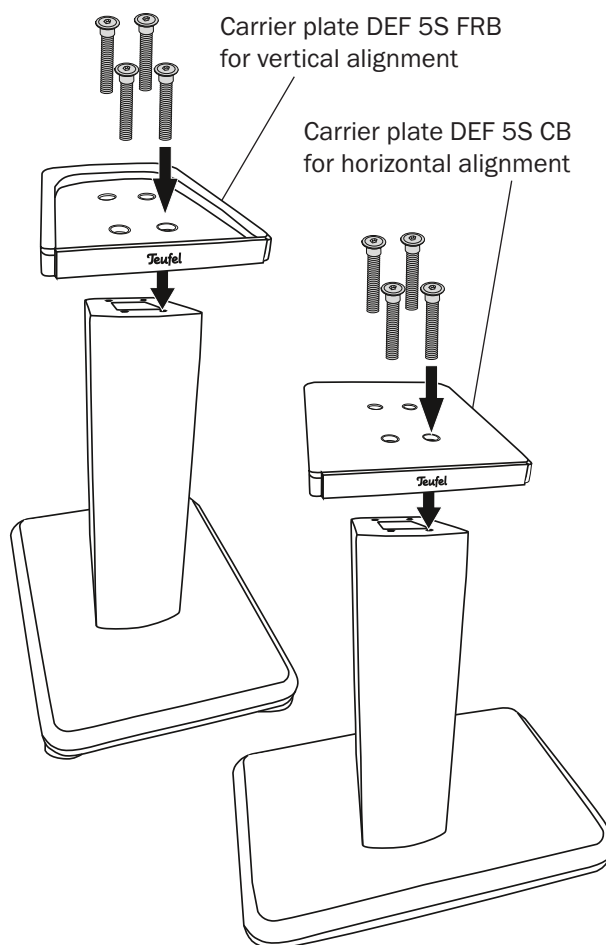
4. Place the pre-assembled speaker stand on the flat spikes.
You can compensate minor irregularities in the floor later by unscrewing or screwing in the flat spikes.

5. With the Definion 5S speaker box you also received a carrier plate. Depending on the alignment of the speaker box two differnt carrier plates exist (see figures to the right).

Take the carrier plate from packaging respectively unscrew it from the speaker box.

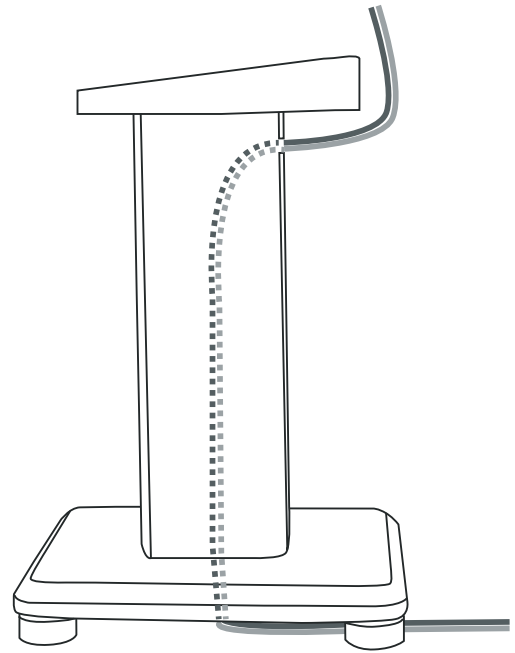
6. Set the carrier plate (depending on the speaker type) in place on the column and screw it in place using the four long screws. The front side of the carrier plate bears the Teufel logo. Not until the carrier plate is fastened tightly to the column the speaker can be mounted on to the carrier plate.

Assembly of the speaker stand is now complete.



Before you mount the speaker on the speaker stand, you should lay the speaker cable. Use a high-quality double wire speaker cable with marked strands for this.

It is recommended that you lay the cable through the column from the bottom up and then run it out through the cable conduit (see figure right).



Technical data

Dimension of the speaker stand (WxHxD)	30x56x38 cm
Total weight	7,7 kg

Teufel

Please contact our customer service department with any questions, suggestions, or complaints:

Lautsprecher Teufel GmbH
BIKINI Berlin
Budapester Str. 44
10787 Berlin (Germany)
www.teufelaudio.com

Phone.: 00800 200 300 40 (toll-free)
Fax: +49 (0)30 - 300 930 930
Service: www.teufelaudio.com/service
Contact: www.teufelaudio.com/contact

No responsibility is assumed for the correctness of this information. Technical changes, typographical errors and other errors reserved.