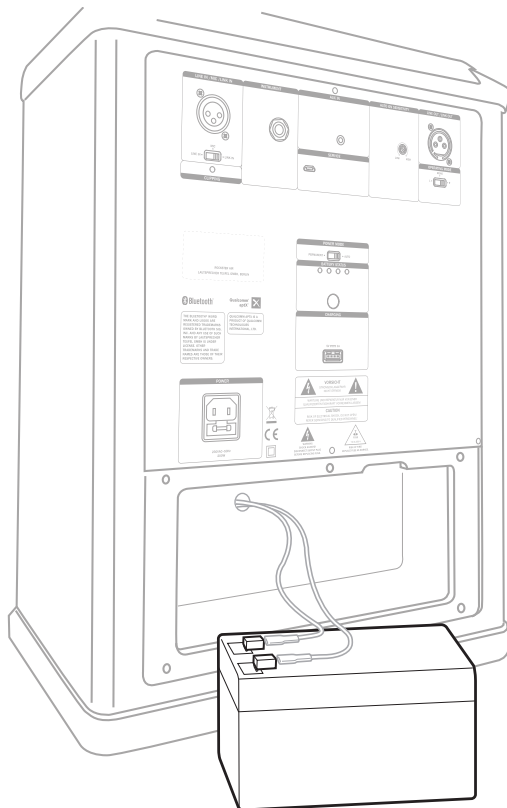
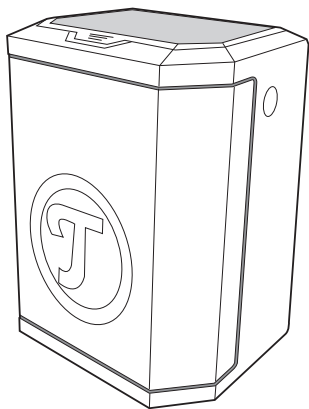


# Technical description and replacement guide



## Replacement battery for Rockster Air

**Teufel**

## Safety notes

This chapter contains general safety notes which you should always observe to protect yourself and third parties.

Also observe the safety notes enclosed with the rechargeable battery.

### **⚠ WARNING**

Fire hazard!

Handling rechargeable batteries improperly may lead to fire or explosion!

- *Keep the rechargeable battery away from coins, keys, screws or other metallic objects that could bridge the contacts. Short circuiting caused by bridged rechargeable battery contacts may result in burns or fire.*
- *Never carry the rechargeable battery by the poles.*
- *Avoid bumps and abrupt stresses.*
- *Avoid electrostatic charge or discharge. Never use synthetic cloths or sponges to clean the rechargeable battery; instead only use cloths moistened with water without any additives.*

- *Only charge the rechargeable battery when it is installed in the device. A normal car battery charger is not suitable.*

### **⚠ WARNING**

Risk of injury!

If used incorrectly, corrosive battery acid may leak out of the rechargeable battery.

- *Avoid any contact with battery acid.*
- *In case of contact with battery acid, rinse the affected area with plenty of water and seek medical attention.*



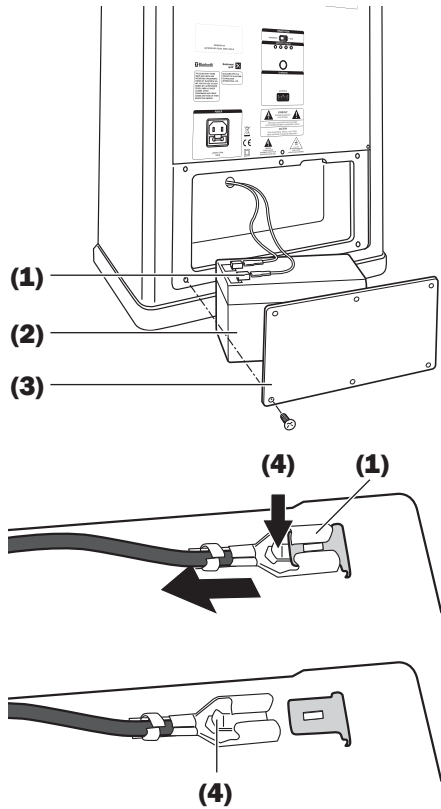
**Used rechargeable batteries must not be disposed of with household waste!**

Every consumer is required by law to bring rechargeable batteries to a collection point run by the communal authority/borough or to a retailer, so that they can be disposed of in an environmentally friendly manner.

Please only turn in batteries and rechargeable batteries which are empty!

# Replacing the rechargeable battery

1. Pull the mains plug out of the socket.
2. Remove the six screws of the battery compartment cover (3).
3. Remove the battery compartment cover. In the battery compartment, you will see the rechargeable battery (2) with a red and black cable with plug shoes (1).
  - The red cable always belongs to the positive pole (+) of the rechargeable battery.
  - The black cable always belongs to the negative pole (-) of the rechargeable battery.
4. Push the plastic cover from each plug shoe onto the cable to expose the plug shoe.
5. Use small pliers to slightly push the locking mechanism (4) down and remove the plug shoe from the rechargeable battery.
6. Carefully take the old rechargeable battery out of the battery compartment. Dispose of it in an environmentally-friendly manner (see disposal notice on page 2).
7. Remove all packaging parts from the new rechargeable battery.
8. Connect the plug shoes to the contacts of the new rechargeable battery: red to the positive pole (+), black to the negative pole (-).
9. Push the plastic covers all the way back onto the plug shoes.



10. Push the rechargeable battery into the battery compartment.
11. Place the battery compartment cover back onto the battery compartment and secure it with the six screws.
12. Connect the device with the socket again. Thus, the new rechargeable battery is being charged. Let the rechargeable battery charge for approx. 7 hours.

# Technical Data of the rechargeable battery

Type	Rechargeable battery of type AGM, maintenance-free
Dimensions (W × H × D)	151 × 94 × 65 mm
Weight	approx. 2.25 kg
Rechargeable battery voltage	12 V DC
Capacitance	9 Ah
Max. charging current	2.4 A
Operating/storage temperature	-20°C–~60°C
Charging temperature	0°C–~50°C

# Teufel

Please contact our customer service department with any questions, suggestions, or complaints:

Lautsprecher Teufel GmbH

BIKINI Berlin

Budapester Straße 44

10787 Berlin (Germany)

Phone: 00800 20030040

Fax: +4930 300930930

Online support: [www.teufelaudio.com/service](http://www.teufelaudio.com/service)

No responsibility is assumed for the correctness of this information.  
Technical changes, typographical errors and other errors reserved.