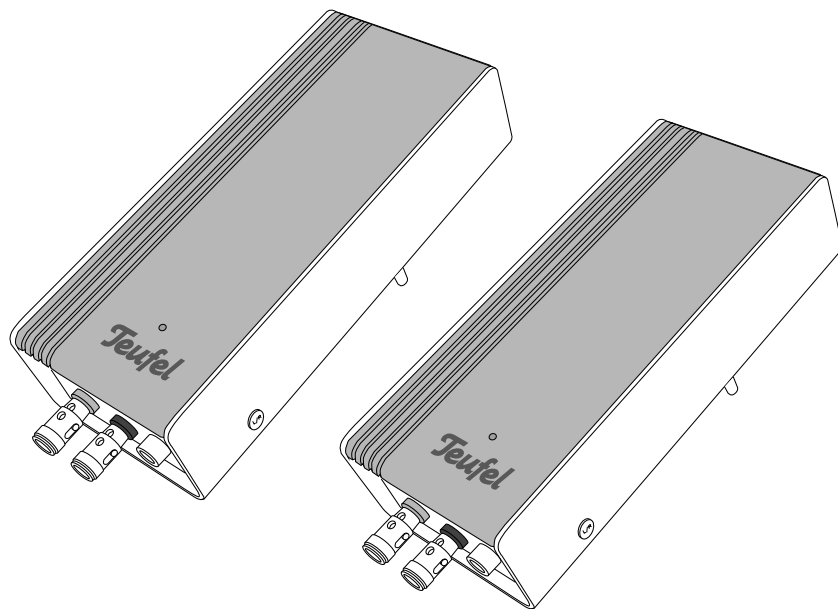


# Technical Description And User Manual

---



## **RearStation Compact**

Wireless transmission system for speakers

# **Teufel**

# Contents

---

<b>General Notes And Information.....</b>	<b>3</b>	<b>Setup / Connection .....</b>	<b>9</b>
Notice .....	3	Location tips.....	9
Original packaging .....	3	Connecting the speakers.....	9
Complaints .....	3	LINE OUT output.....	10
Contact .....	3	Mains connection .....	10
Proper use .....	4	<b>Operation .....</b>	<b>11</b>
Explanation of symbols.....	4	First-time connection.....	11
<b>For Your Safety .....</b>	<b>5</b>	Switching the channel .....	11
Signal terms .....	5	Automatic connection.....	11
Safety notes .....	5	Automatic activation/ deactivation.....	11
<b>Overview .....</b>	<b>8</b>	<b>Cleaning And Maintenance .....</b>	<b>12</b>
Unpacking.....	8	<b>Troubleshooting .....</b>	<b>13</b>
Pack contents.....	8	<b>Technical Data .....</b>	<b>14</b>
Checking the pack contents.....	8		
Operational controls and connections.....	8		

# General Notes And Information

---

## Notice

The information in this document may change without prior notice and in no way constitutes any liability on the part of Lautsprecher Teufel GmbH.

No part of this user manual may be reproduced in any form or be broadcasted in any way electronically, mechanically, by photocopy or recording without the written permission of Lautsprecher Teufel GmbH.

© Lautsprecher Teufel GmbH

Version 2.0

July 2017

## Original packaging

If you wish to exercise your eight-week right of return, we ask that you be absolutely sure to hold onto the packaging. We can only accept the return of the devices WITH THE ORIGINAL PACKAGING.

Empty boxes are not available!

## Complaints

In case of a complaint we will need the following information to process your enquiry:

### 1. Invoice number

Can be found on the sales slip (enclosed with the product) or on the order confirmation received as a PDF document, e.g. 4322543.

### 2. Serial number or batch number

Located on the back of the devices, e.g. serial no.: KB20240129A-123.

Thank you for your support!

## Contact

Please contact our customer service with any questions, suggestions or criticism:

**Lautsprecher Teufel GmbH**

**BIKINI Berlin**

**Budapester Str. 44**

**10787 Berlin (Germany)**

Phone:

Denmark	+4589886335
Finland	+358753263952
Norway	+4781503272
The Netherlands	+31208083195
Sweden	+46108885284
United Kingdom	+443308080489
The rest of Europe	+800 200 300 40

Service:

[www.teufelaudio.com/service](http://www.teufelaudio.com/service)

Contact:

[www.teufelaudio.com/contact](http://www.teufelaudio.com/contact)

## Proper use

The RearStation Compact is designed to play back music and speech from a compatible transmitter via a wireless connection.

Only use the device as described in this user manual. Any other use will be deemed as not in accordance with the instructions and may lead to damage of property or even persons.

The manufacturer accepts no liability for damage caused by improper use.

The device is intended for private use only.



Before operating the device, please read the safety notes and user manual carefully.

This is the only way to use all functions safely and reliably. Store the user manual in a safe place and also be sure to pass it on to any subsequent owner.

## Explanation of symbols

	Protection class II Dual insulation
	Risk of electrical shock Do not open the housing.
	<b>Old devices must not be disposed of with household waste!</b>
	If a device is no longer operational, every consumer is required by law to dispose of old devices separately from household waste, e.g. at a collection point run by the communal authority/ borough. This ensures that old devices are recycled in a professional manner and also rules out negative consequences for the environment.  For this reason, electrical equipment is marked with the adjacent symbol.

## Signal terms

You can find the following signal terms in this user manual:

### CAUTION

This signal term indicates a low risk, which, if not avoided, may result in minor or moderate injury.

### NOTICE

This signal term warns you of potential damage to property.



The info symbol identifies important tips for handling.

## Safety notes

**Improper electrical installation or excessive mains voltage may result in an electrical shock.**

- When connecting the device, make sure that the correct voltage is present. You can find more information about this on the rating plate.
- Check the device regularly for damage. Immediately disconnect the device from the socket and do not operate the device if its case is defective or exhibits other visible damages.

- Make sure that the mains plug socket is always easily accessible.
- If a device emits smoke, smells burnt or produces unusual sounds, immediately disconnect it from the mains and do not operate it further.
- Never open the device housing. Repairs may only be carried out by an authorised specialist workshop. Only parts that match the original specifications may be used.
- Only use the accessory products specified by the manufacturer.
- Only use the device indoors.
- Do not operate the device in wet rooms and protect it from dripping and splashing water. Make sure that no vases or other liquid-filled objects are located on or near the device in order to prevent liquid from penetrating the housing. If water or any foreign objects have entered the housing, immediately disconnect the mains plug and send the device to our service address.
- Never modify the device. Unauthorised modifications may affect the safety and functionality.
- Never touch the mains plug with wet hands.

**An unsuitable setup location may result in injury and damage.**

- Never use the device unmounted in vehicles, in unstable locations, on wobbly tripods or furniture, on insufficiently dimensioned brackets etc. The device could tip or fall down and cause injury to persons or be damaged itself.
- Arrange the device so that it cannot be accidentally bumped and make sure that the cables do not pose a trip hazard.
- Do not place the device near heat sources (e.g. heaters, ovens, other heat generating equipment such as amplifiers etc.).
- Do not use the device in environments where there is a risk of explosion.
- Only use the device in locations where radio transmission is allowed.

**Children can become trapped in the plastic wrapping when playing and suffocate.**

- Do not allow children to play with the device or the plastic wrapping. There is a danger of suffocation.

- Ensure that children do not remove small parts from the device or take them off of the device (e.g. control knobs or plug adapters). They could swallow the parts and choke.
- Never allow children to operate electrical equipment unsupervised.



**Extended listening at high volumes may lead to hearing loss.**

To avoid damage to health, avoid extended listening at high volumes.

- When the volume is set to a high level, never place your ear directly on the speaker.
- If a device is set to full volume, this may produce very high sound pressure. This may have psychic consequences and also cause physical injury. Children and pets are particularly at risk.

**This product contains magnetic material.**

- If necessary, consult your physician and ask for effects on implants such as pacemakers or defibrillators.

**If the device is subjected to warm temperatures after being cold (e.g. after transport), condensation may occur inside of it.**

- In this case, wait at least 2 hours before you connect and activate it.

**Improper use may lead to damage or fire.**

- Do not place open flames such as burning candles or similar on the device.
- Ensure sufficient ventilation.
- Do not place the device in direct sunlight.
- If the device is to be left unattended for a prolonged period of time (e.g. during a vacation) or if a thunderstorm is forecast, disconnect it from the socket. Otherwise, sudden overvoltage could cause a defect.

# Overview

---

## Unpacking

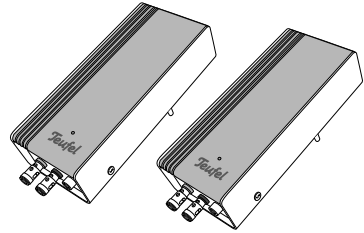
- Carefully open the box and lift the components of the RearStation Compact out.

## Pack contents

2 × RearStation Compact

## Checking the pack contents

- Check that all items have been delivered and that nothing is damaged.
- If the delivery is incomplete or the device has been damaged, please contact our service team (see „Contact“ on page 3).

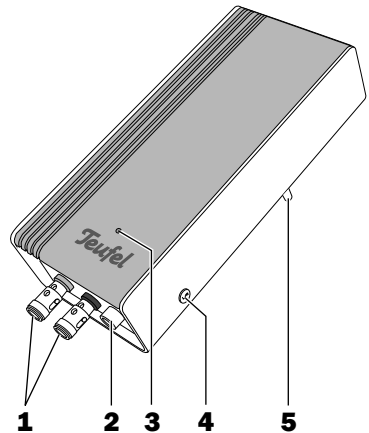


## NOTICE

- *Do not operate the devices if you identify damages on them.*

## Operational controls and connections

- 1 Speaker connection
- 2 LINE OUT output
- 3 Status indicator
- 4 L/R button
- 5 Mains plug (on the back of the device)





## NOTICE

If the device is subjected to warm temperatures after being cold (e.g. after transport), condensation may occur inside of it.

- *In this case, wait approx. 2 hours before you connect and activate it.*

## ⚠ CAUTION

The device is disconnected from the mains by pulling it out of the socket.

- *Therefore make sure that the socket is always easily accessible.*

## Location tips

- Make sure that the environment is clean and free from dust.
- Select a location away from heat sources and direct sunlight.
- Do not place any heavy objects on the cables or the device.
- The wireless connection has a maximum range of 50 m, but can be obstructed by objects, walls and other transmitters (Wi-Fi, DECT).
- To operate the RearStation Compact, it is simply inserted in a mains socket. This

could be a stable wall socket or even a multiple socket strip.

## Connecting the speakers

If possible, use a high-quality, twin-core speaker single wire with a diameter of at least 0.75 mm<sup>2</sup> to connect the speakers. You can order corresponding cables in our webshop ([www.teufelaudio.com](http://www.teufelaudio.com)) in the “Accessories” area.

## ⚠ CAUTION

**Risk of injury/damage!**

- *Lay the cables so that they do not pose a tripping hazard.*

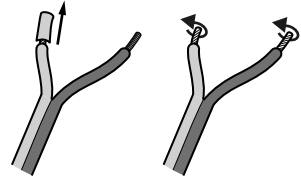
Connect one speaker to the SPEAKER OUT speaker connections (1) of each RearStation Compact:

## NOTICE

**Make sure the polarity is correct! Otherwise, the sound quality will suffer.**

- *Connect the like coloured terminals.*
  - *The strands of the speaker cables are marked with different colours or shapes.*
1. Split the single wire down to approximately 30 mm and remove approximately 10 mm of the insulation on each strand.

2. Twist the single wire so that no strands are protruding. Tin coating is not necessary.
3. Push down the respective connector terminal **(1)** and insert the end of the cable in the corresponding opening. Releasing the connector terminal will clamp the cable in place.

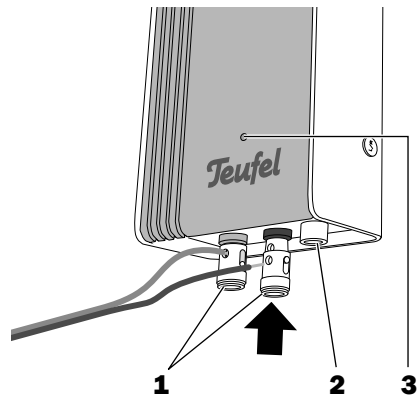


### LINE OUT output

The RearStation Compact plays the corresponding 2nd stereo channel via the LINE OUT RCA jack **(2)**. This connection is provided for subsequent upgrades.

### Mains connection

Insert the RearStation Compact in a mains socket (100 – 240 V~, 50/60 Hz). The status indicator **(3)** starts to flash in white.



## First-time connection

1. Insert both RearStation Compact devices in the socket.  
The status indicator **(3)** will now slowly flash in white.
2. Switch the transmitter to pairing mode. Please refer to the user manual for the transmitter for more information.
3. As soon as the RearStation Compact has found a compatible transmitter, it will connect with it.  
The status indicator **(3)** illuminates continuously in white.

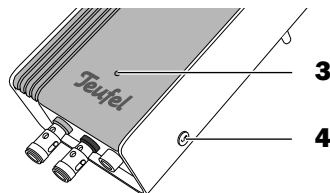
## Switching the channel

By default the left channel is assigned. User has to select the correct channel manually:

- Briefly push the L/R button **(4)** to switch the stereo channel. The status indicator **(3)** flashes three times in the colour of the selected channel:  
**Yellow** – left stereo channel  
**Magenta** – right stereo channel
- All other settings are performed on the transmitter unit.

## Automatic connection

- If the RearStation Compact was already connected to a compatible transmitter, it is immediately connected to it.  
The status indicator **(3)** illuminates continuously in white.
- If there is no transmitter nearby or if it is switched off, the RearStation Compact is searching for a transmitter.  
The status indicator **(3)** flashes slowly in white in this process.
- If no transmitter is found, the unit enters standby mode after 5 minutes.



## Automatic activation/deactivation

As soon as the RearStation Compact receives a signal from a connected transmitter, it switches back on from standby mode.

If the RearStation Compact does not receive a signal from the transmitter, it automatically goes into standby mode after a short time.

In standby mode, the status indicator **(3)** is continuously illuminated in red.

## Factory Reset

To reset the unit to its default settings or to reset the pairing information push and hold the L/R button **(4)** for about 10 seconds until the status indicator **(3)** flashes in yellow and magenta multiple times.

## Cleaning And Maintenance

---

### CAUTION

#### Risk of electrical shock!

- *Pull the device out of the socket before you clean it.*
- *Moisture must not penetrate the device.*

### NOTICE

#### Using the wrong cleaning agents may damage the housing.

- *Do not use caustic cleaning products, white spirit, thinners, petrol or similar under any circumstances. Such cleaning agents may damage the delicate surface of the housing.*

- Ideally, you should remove dust or small amounts of dirt with a dry, smooth leather cloth.
- Use a damp cloth to rub off stubborn dirt. Make sure that no liquid penetrates the housing.
- Then immediately wipe the damp surfaces off with a soft cloth without applying pressure.

# Troubleshooting

The following advice should help you to solve problems. If this does not help, you will find useful information in the detailed FAQs on our website. Otherwise, please contact our hotline (see page 3). Take note of the warranty instructions.

Problem	Possible cause	Solution
No function.	No power supply.	Check the function of the socket with another device.
No sound.	The volume has been set too low.	Increase the volume on the transmitter.
	No 5.1 audio.	If e.g. a pure stereo signal is played, the rear speakers will remain mute. Then select a surround sound simulation such as Dolby Prologic on the transmitter unit.  To test the connection, a „test tone“ can be played in your transmitter’s level adjustment function.
No connection is established.	The transmitter has not been switched on.	Switch the transmitter on.
	Distance is too great or objects are blocking the connection signal.	Correct the allocation of the devices.
	The connection is not automatically established.	Reconnect the devices, see „First-time connection“ on page 11.
The status indicator <b>(3)</b> blinks in red.	Device has “crashed”.	Pull the device out of the socket, wait 20 seconds and plug it back in.
		Reset the device to the default settings: Push and hold the L/R button <b>(4)</b> for about 10 seconds until the status indicator <b>(3)</b> flashes in yellow and magenta multiple times.


# Technical Data

---

Dimensions (W × H × D):	71 × 181 × 80 mm
Weight:	300 g
Operating voltage:	100–240 V~, 50/60 Hz
Max. power consumption:	80 W

Radio network	Frequency band in GHz	Max. transmission power in mW/dBm
SMSC	2.4–2.4835	25/14
	5.15–5.875	8/9

You can find further technical data on our website. Technical changes reserved!

 Lautsprecher Teufel GmbH hereby declares that the radio equipment “RearStation Compact“ is in accordance with the 2014/53/EC directive. The full text of the EU Declaration of Conformity is available at the following Internet address:

[www.teufelaudio.com/declaration-of-conformity.html](http://www.teufelaudio.com/declaration-of-conformity.html)



# Teufel

Please contact our customer service department with any questions, suggestions, or complaints:

**Lautsprecher Teufel GmbH**

**BIKINI Berlin**

**Budapester Str. 44**

**10787 Berlin (Germany)**

Phone:

Denmark	+4589886335
Finland	+358753263952
Norway	+4781503272
The Netherlands	+31208083195
Sweden	+46108885284
United Kingdom	+443308080489
The rest of Europe	+800 200 300 40

Service: [www.teufelaudio.com/service](http://www.teufelaudio.com/service)

Contact: [www.teufelaudio.com/contact](http://www.teufelaudio.com/contact)

No responsibility is assumed for the correctness of this information.

Technical changes, typographical errors and other errors reserved.