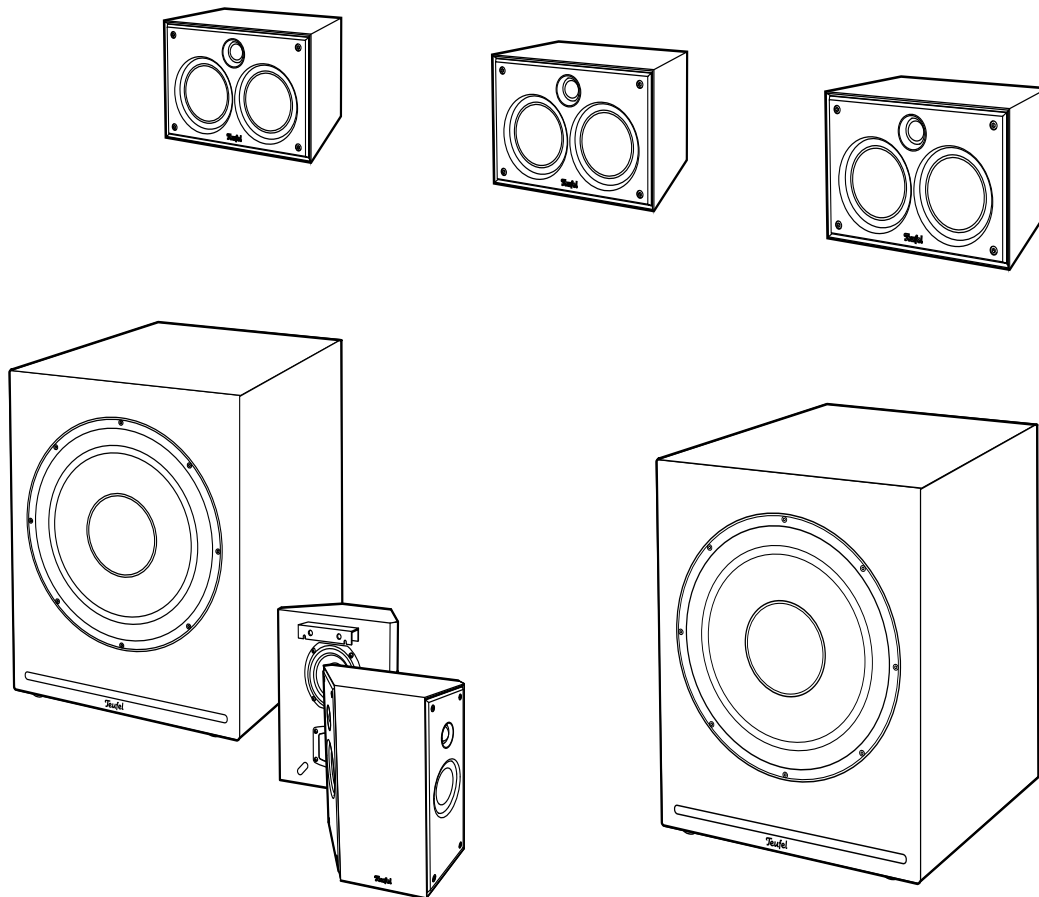


Technical Description And User Manual



SYSTEM 6

SYSTEM 6 THX[®] SELECT

5.2 speaker set with THX[®] select certificate

Teufel

Contents

Contents	2	Connecting.....	8
General Notes And Information	3	Connecting the subwoofers	8
Notice	3	Connecting the speakers	8
Trademarks	3	Settings.....	9
Original packaging.....	3	Adjusting the AV receiver and subwoofers	9
Complaints.....	3	AV receiver settings.....	9
Proper use.....	3	Subwoofer settings.....	9
Overview	4	Adjusting the volume.....	9
Unpacking	4	Configuring the sound pattern	9
Package contents	4	Care And Cleaning.....	10
Checking the package contents	4	Troubleshooting	10
Assembly.....	5	Technical Data	11
Isolation pads	5	Declaration of Conformity.....	11
Protective cover	5		
Setup/Wall Mounting	6		
Setup location.....	6		
Location tips.....	6		
Setup	6		
Front speaker	6		
Center speaker.....	6		
Subwoofer	7		
Rear speakers	7		
Wall mounting.....	7		
Wall bracket/speaker stand.....	7		

General Notes And Information

Notice

The information in this document may change without prior notice and in no way constitutes any liability on the part of Lautsprecher Teufel GmbH.

No part of this user manual may be reproduced in any form or be broadcasted in any way electronically, mechanically, by photocopy or recording without the written permission of Lautsprecher Teufel GmbH.

© Lautsprecher Teufel GmbH

Version 2.0

May 2023

Trademarks

® All trademarks are the property of their respective owners.



THX SELECT and the THX logo are trademarks of THX Ltd., which are registered in some jurisdictions. All rights reserved.

Original packaging

If you wish to exercise your right of return, we ask that you be absolutely sure to hold onto the packaging. We can only accept the return of the speakers WITH THE ORIGINAL PACKAGING.

Empty boxes are not available!

Complaints

In case of a complaint we will need the following information to process your enquiry:

1. Invoice number

Can be found on the sales slip (enclosed with the product) or on the order confirmation received as a PDF document, e.g. 4322543

2. Serial number or batch number

Located on the back side of the device, e.g. serial no.: KB20240129A-123.

Thank you for your support!

Contact

Please contact our customer service with any questions, suggestions or criticism:

Lautsprecher Teufel GmbH
BIKINI Berlin
Budapester Str. 44
10787 Berlin (Germany)

Phone 00800 - 200 300 40 (toll-free)

Fax: +49 (0)30 / 300 930 930

Service: www.teufelaudio.com/service

Contact: www.teufelaudio.com/contact

Proper use

The speakers are designed for the playback of music and speech from an external player.

Only use the speakers as described in this user manual. Any other use will be deemed as not in accordance with the instructions and may lead to damage of property or even persons.

The manufacturer accepts no liability for damage caused by improper use.

The speakers are intended for domestic use only.



Before operating the speakers, please first carefully read the safety notes and user manual (also the separate ones for the subwoofers). This is the only way to use all functions safely and reliably. Store the user manuals in a safe place and also be sure to pass them on to any subsequent owner.

NOTICE

Check that all items have been delivered and that nothing is damaged. If you find any damage, do not operate the device; instead contact our customer service department.

Overview

Unpacking

The set is delivered in multiple boxes.

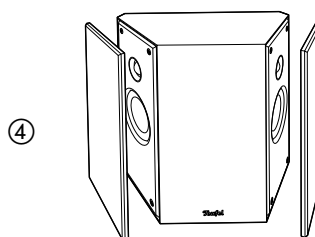
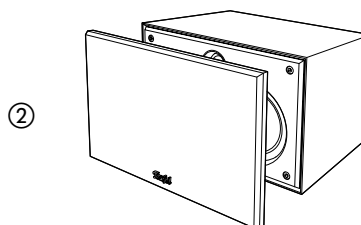
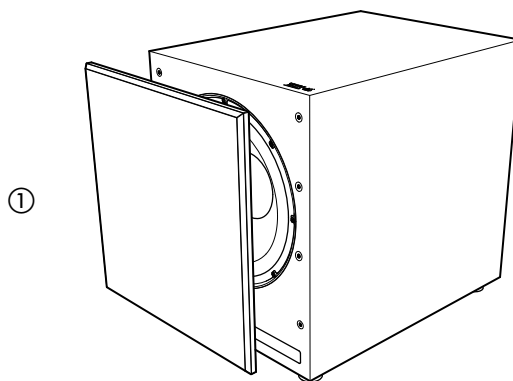
- Be absolutely sure to observe the separate user manuals for the subwoofers.
- Carefully open the boxes, take the EPE foam half-shells out and carefully lift the accessories and speakers out of the box.

Package contents

- ① 2× active subwoofers S 6000 SW THX® Select with accessories
- ② 3× front speakers S 600 FCR THX® Select
- ③ 4× self-adhesive isolation pads for ②.
- ④ 2× dipole speakers S 600 D THX® Select (one for left “L” and right “R” each)

Checking the package contents

- Check that all items have been delivered and that nothing is damaged.
- If the delivery is incomplete or exhibits transport damages, please contact our service team (see page 3).
- Do not in any case operate the device if it is damaged.



NOTICE

A separate user manual is included with the subwoofers.

- Before connecting and operating the subwoofers, please be absolutely sure to read the user manual.

Mounting material especially attuned to these speakers (cables, speaker stands and isolation pads) is available via our web shop (www.teufelaudio.com) in the “Extras” area.

Isolation pads

The self-adhesive rubber feet are used to set up the front speakers on a level surface.

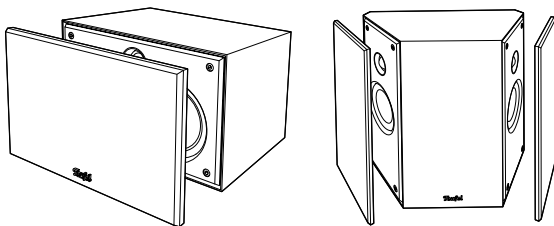
NOTICE

The isolation pads can produce discolouration on sensitive surfaces.

- On parquet, varnished wood and similar surfaces, you should stick felt gliders to the rubber feet of the speakers or put blankets or small carpets under them. This will prevent discolouration of the floor over the long term.

Protective cover

You can take the protective covers off of the speakers by carefully reaching behind the protective covers and slowly pulling them off to the front.



NOTICE

Risk of damage!

- Make sure that you do not touch the highly sensitive diaphragms.

When putting the protective cover on, please make sure that the installation pins slide directly into the corresponding jacks on the speaker.

In general, you can operate the speakers without a protective cover – however, we don't recommend it. According to the THX® requirements profile, the speakers were designed to reach a linear frequency response and consequently their optimal playback quality when used WITH the covers. Playback WITHOUT a cover can result in unbalanced frequency response with intensified playback of treble, which is why we advise not to operate the speakers in this way.

Setup/Wall Mounting

Setup location

i Our website contains comprehensive notes for correct setup.

Location tips

- Select a stable, level base.
- Make sure that the environment is clean and free from dust.
- Select a location away from heat sources and direct sunlight.
- Lay the connector cords so that they do not pose a tripping hazard.
- Do not place any heavy objects on the cable or the devices.

Setup

The following data concern an “ideal home cinema”, in which the viewer or listener sits in a central position at a sufficient distance in front of the video screen or screen (see the following graphic) and no objects (tables or the like) are located in between. Unfortunately, the room, furnishings or other circumstances do not always allow for optimum arrangement.

Modern software in the external players offers diverse possibilities to electronically compensate for possible compromises in the placement. The following general rule applies: You can always experiment on what works best in your listening room in terms of sound and appearance based on our recommendations. Let your ears (and eyes) decide!

Front speaker

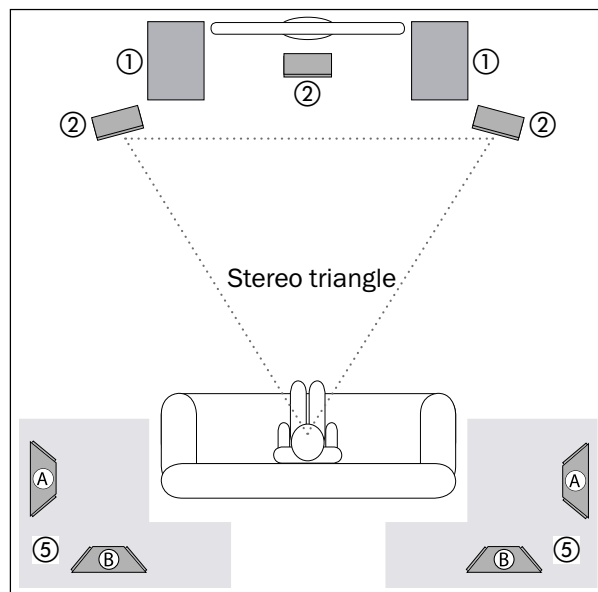
Two of the front speakers S 600 FCR THX® Select ② are set up to the right and left of the screen or positioned at a height of approx. 80 to 160 cm.

- They should form, as far as possible, an equilateral triangle with the listener – what is known as the stereo triangle (distance to listener = distance between speakers).
- Depending on the speaker and set-up height, it may make sense to angle them towards the listening position. You should definitely try this to determine whether it noticeably improves the sound.

Center speaker

Place one of the front speakers S 600 FCR THX® Select ② in a central position under or above the video screen or screen.

- It should be set up about 20 centimetres behind the left and right speaker.
- If you can only place the center speaker in line with the left and right speaker, you should activate the delay for the center channel (“Center Delay”) – providing that your AV receiver has this option. Many modern AV receivers and amplifiers do not offer this kind of function, but automatically set this delay to a correct value when you activate the automatic calibration function.



Subwoofer

You should place the two active subwoofers S 6000 SW THX® Select ① on the floor to the right and left of the television and close to it.

- A location between the front speakers is often ideal.
- However, do not set the subwoofers up in a corner of the room as this may result in uncontrollable frequency rises.

Rear speakers

The two dipole speakers S 600 D THX® Select ⑤ project sound forward at a 45° into the unobstructed room and back against the walls to produce the desired THX® compliant spatial diffusion.

- Position the dipole speakers inside of the grey areas (see graphic).
- **Version A:** They are set up or hung at head height (140 to 210 cm) to the side of the listener. The distance to the rear wall should be no less than 50 cm.
- **Version B:** You can also set up the rear speakers behind the listener at a height of 140 to 210 cm. Determine the best distance to the side wall by experimenting with different audio tests.

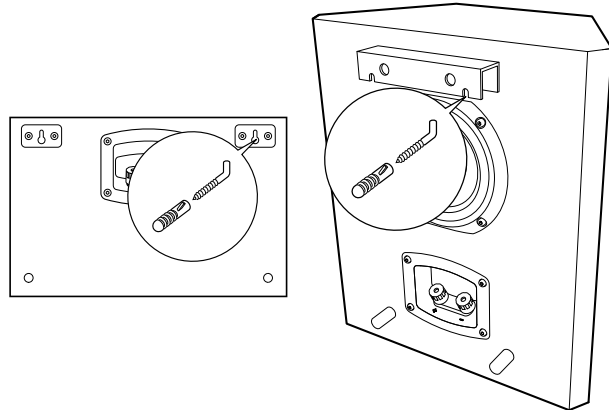
Wall mounting

⚠ CAUTION

Improper mounting may cause damage.

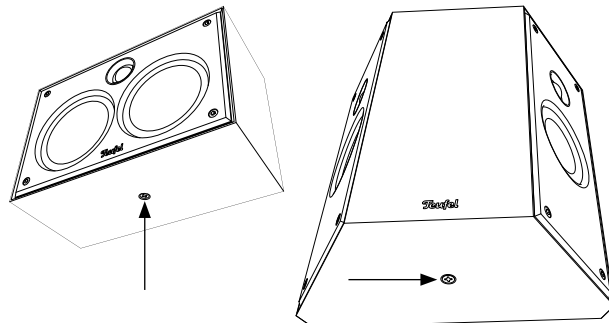
- Make sure that the wall mounting is done in a professional manner.
- Before drilling the holes, use a metal detector to ensure that there are no electrical cables or pipes in the wall within the drilling area.
- Use only suitable screws and dowels for fixing.
- Verify the carrying capacity of the walls.

The brackets on the back are used for the wall mounting of the front and dipole speakers (see graphic).



Wall bracket/speaker stand

The keyhole slot(s) and the threaded hole on the bottom of the speakers (see arrows) are also intended for fixing the speakers to a wall bracket or speaker stand. You will find suitable items in our online shop:
<https://www.teufelaudio.co.uk/what-works-best.html>



The dipoles would theoretically also be positioned on speaker stands – always close to the wall – but we are unable to offer a speaker stand with the recommended height of at least 1.50 metres. A very large base plate would guarantee stability at this height. However, a stand footprint of approx. 1 × 1 metre is definitely not that nice to look at.

Connecting

CAUTION

Risk of injury/damage!

- Lay the cables so that they do not pose a tripping hazard.
- Before connecting the speakers, switch your AV receiver off and pull the mains plug.

Connecting the subwoofers

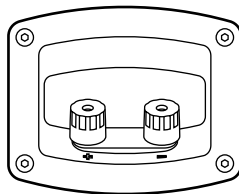
For setup and connection, please be **absolutely** sure to observe the separate user manual for the subwoofers.

In order to reach the THX® specifications, you should only use a cable to connect the subwoofers to your AV receiver.

- For this, use short, properly shielded RCA cables if possible.
- If your AV receiver only has one subwoofer output, use a Y RCA adapter that you connect directly to the AV receiver if possible.

Connecting the speakers

1. Lay the speaker cables from your AV receiver to each speaker. If possible, use high-quality dual core speaker cables with a diameter of at least 2 mm² to do so.
2. On the back of each speaker is a connection terminal with two pole clamps. You can connect the speaker cable directly here or using pin plugs. Direct connection only is described here.
The terminals are marked in red (+) and black (-).

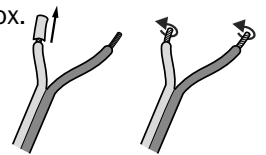


NOTICE

Make sure the polarity is correct!

- Connect each of the like coloured terminals of your active and passive speaker with one another; otherwise the sound quality will suffer. To facilitate this, the individual single wires of the speaker cables are marked with different colours or shapes.

3. Split the wire down by approx. 30 mm on both ends and remove approx. 10 mm of insulation each. Twist the single wire so that no strands are protruding.
4. Turn the connector terminal counterclockwise until loose. Run the stripped cable end into the now visible hole. Close the terminal by turning it clockwise. The cable has now been clamped in place.
5. Connect the other end of the speaker cable to the clamps of your AV receiver.



Finish by also connecting the mains cord of your AV receiver again.

Adjusting the AV receiver and subwoofers

Most AV receivers have a menu with settings for the speakers (called “Speaker Setup” or similar). By following our recommendations below, you can perfectly align the AV receiver and the subwoofers:

AV receiver settings

If possible, use your AV receiver’s calibration function so that it automatically adjusts the levels, phase and run times to the room. If your receiver doesn’t provide an automatic calibration function, the following values are recommended:

- Size of the front, center and rear speakers to “normal” or “small” – not “large”.
- Subwoofer to “On”.
- Crossover frequency for subwoofers to 80 Hz.

Subwoofer settings

- POWER switch (9) to “AUTO”.
- SUB LEVEL control (3) to “THX®”.
- BASS BOOST control (4) to “THX®”.
- PHASE switch (6) to “0°”.

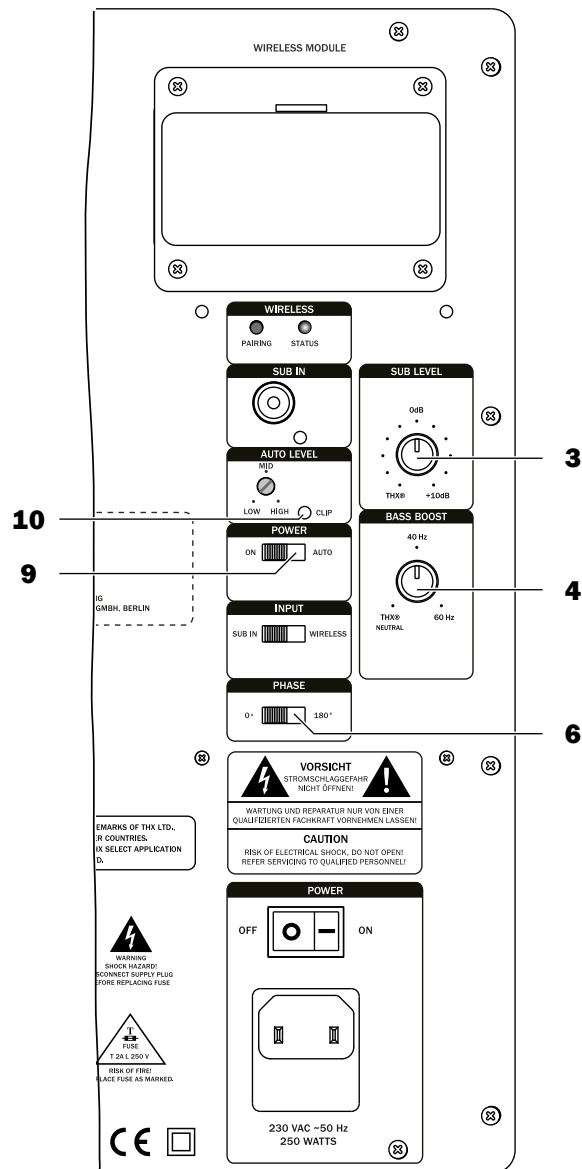
1. Perform an audio test now and adjust the “SUB LEVEL” control (3) until the subwoofer can be “easily heard”. However, it must not drone.
2. If any deep “hits” are too hard or too soft, adjust the setting of the BASS BOOST control (4).
3. Repeat these steps with different video and audio media.
4. Once you have found the best sound, switch the phase shift on and off several times with the PHASE switch (6). Select the setting with the best sound.

Adjusting the volume

- Use the SUB LEVEL control (3) to adjust the volume of the subwoofer.
In the “THX®” setting, the subwoofer corresponds to the specifications of THX® Select.
- If the LED CLIP (10) lights up, the input signal is too high. In this case, reduce the subwoofer level on your AV receiver.

Configuring the sound pattern

- Use the BASS BOOST control (4) to set the low tone sound pattern.
In the “THX®” setting, the SYSTEM 6 THX® corresponds to the specifications of THX® Select.



Care And Cleaning

NOTICE

External influences may damage or destroy the device.

- *If the device is to be left unattended for a prolonged period of time (e.g. during a vacation) or if a thunderstorm is forecast, pull the mains plug out of the socket. Otherwise, sudden overvoltage could cause the device to become defective.*
- *If possible, only use plain water without any additives. In case of stubborn marks, a mild soap solution may be used.*
- *Do not use caustic cleaning products, white spirit, thinners, petrol or similar under any circumstances. Such cleaning agents may damage the delicate surface of the housing.*

- Ideally, you should remove dust or small amounts of dirt with a dry, smooth leather cloth.
- Use a damp cloth to rub off stubborn dirt. Make sure that no liquid penetrates the housing.
- Then immediately wipe the damp surfaces off with a soft cloth without applying pressure.

Troubleshooting

The following advice should help you to solve problems. If this does not help, you will find useful information in the detailed FAQs on our website. Otherwise, please contact our hotline (see page 3). Take note of the warranty instructions.

Please also observe the notes in the separate user manual for the subwoofers.

Problem	Possible cause	Solution
Playback is noisy.	Generally speaking, the speakers are very low noise. In the high range area, the very high-resolution speaker system can expose the poor quality of a signal source (e.g. from MP3 files).	Make sure that the source is emitting a clear signal.
The sound seems dull.	Satellites have been connected with the poles reversed.	Check that the speaker cable on all satellites is correctly connected.
No sound.	Speaker cable not stripped.	

Technical Data

	Dimensions (WxHxD)	Weight
Front speakers S 600 FCR THX® Select	310 x 200 x 125 mm	3.95 kg
Dipole speakers S 600 D THX® Select	335 x 350 x 150 mm	14.4 kg
Active subwoofers S 6000 SW THX® Select	(see separate user manual)	

You can find further technical data on our website. Technical changes reserved!

Declaration of Conformity



Lautsprecher Teufel GmbH declares that this product complies with the relevant European and national directives. The full text of the CE Declaration of Conformity can be found at this web address:

www.teufel.de/konformitaetserklaerungen

www.teufelaudio.com/declaration-of-conformity



THX RECOMMENDED USE

This subwoofer was designed and tested to meet THX performance specifications in large living rooms and home theaters of up to approximately 3,000 cubic feet (85 cubic meters)

THX CERTIFICATION FEATURES

- Low frequency extension of 20Hz at -6dB
- High output low distortion design
- Fixed input gain conforms to THX Bass Management system

THX PERFORMANCE NOTES

Two subwoofers must be used to deliver THX Reference Level output in a room of approximately 3,000 cubic feet (85 cubic meters)

THX.COM





Please contact our customer service department with any questions, suggestions, or complaints:

Lautsprecher Teufel GmbH
Bikini Berlin
Budapester Str. 44
10787 Berlin (Germany)

www.teufelaudio.com

www.teufel.de

www.teufel.ch

www.teufelaudio.at

www.teufelaudio.nl

www.teufelaudio.be

www.teufelaudio.fr

www.teufelaudio.pl

www.teufelaudio.it

www.teufelaudio.es

Telefon:

Deutschland:

+49 (0)30 217 84 217

Österreich:

+43 12 05 22 3

Schweiz: +41 43 50 84 08 3

International:

0800 200 300 40 (toll- free)

Telefax:

+49 (0)30 / 300 930 930

Online-Support:

www.teufelaudio.com/service

www.teufel.de/service

Kontaktformular:

www.teufel.de/kontakt

Contact:

www.teufelaudio.com/contact

No responsibility is assumed for the correctness of this information.
Technical changes, typographical errors and other errors reserved.