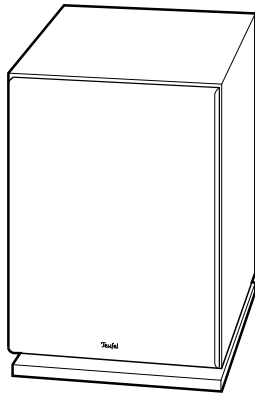


Technical Description and Operating Instructions



Aktive Subwoofer
T 2300 SW
T 1300 SW

Teufel

General notes and information

Proper use

Only use the unit as described in these operating instructions. Any other use will be deemed as not in accordance with the instructions and may lead to damage of property or even persons. The manufacturer accepts no liability for damage caused by use not in accordance with the instructions. The unit is intended for private use.



Before operating the speakers please read the safety notes and operating instructions carefully. This is the only way to use all functions safely and reliably. Keep the operating instructions safe and pass them on to anyone who may own the unit after you.

Notice

The information in this document may change without prior notice and in no way constitutes any liability on the part of Lautsprecher Teufel GmbH. No part of these instructions may be reproduced in any form or be broadcasted in any way electronically, mechanically, by photocopy or recording without the written permission of Lautsprecher Teufel GmbH.

Original packaging

If you wish to exercise your eight-week right of return, we ask that you be absolutely sure to hold onto the packaging. We can only accept the return of a device WITH THE ORIGINAL PACKAGING. Empty boxes are not available!

Complaints

In case of a complaint we implicitly need your invoice number and the serial or lot number for processing. The serial number can be found on the back side of the device.

Many thanks for your support!

Contact

For questions, suggestions or criticism please contact our customer service department:

Lautsprecher Teufel GmbH
Gewerbehof Buelowbogen
Buelowstrasse 66
10783 Berlin (Germany)

Phone 00800 - 200 300 40 (free of charge)

Fax: +49 (0)30 / 300 930 930


E-mail: service@teufelaudio.com


www.teufelaudio.com

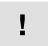
Safety notes

Caution icons


You will find the following caution icons in these instructions:

 = **High risk!** Failure to observe the warning may result in severe personal injury or death.

 = **Moderate risk!** Failure to observe the warning may result in property damage.


 = **Minor risk!** Points which should be observed when handling the unit.

Danger Risk of electric shock!

 Faulty installation of electrical equipment or mains voltage which is too high can cause electric shocks.


- The device is only suitable for use with a power supply voltage of 230V ~ / 50 Hz. Make sure that the mains voltage is correct. For more information, refer to the nameplate.
- Check the unit regularly for damage.
If the unit's case or mains cable is defective or shows other signs of visible damage, disconnect the power plug / mains adapter immediately from the socket and do not operate the device.
- If the unit emits smoke or smells of burning or other unusual odours, disconnect it immediately from the power supply and do not operate it.
- Connect the unit to an easily accessible socket so that you can quickly disconnect it from the power supply in the event of faults.
- Never open the unit's housing.
Repairs may only be carried out by an authorised specialist workshop. Only parts which conform with the original unit specifications may be used in this case. There are electrical and mechanical parts in this unit which are necessary in order to avoid exposure to sources of danger.
- Use only accessories specified by the manufacturer.
- Do not insert any objects through the vent slots in the housing.
- Only use the unit in indoor areas.
- Do not operate the unit in damp areas and protect it from drops of water or splash water.
Also take care not to stand vases or other containers filled with liquid on or near the speaker in order to avoid liquid getting into the case. If water or other foreign objects penetrate the case, immediately disconnect the power plug and if applicable, remove any batteries. Send the unit to our service address in this case.
- Never touch the power plug / mains adapter with damp hands.

Danger Danger to children!

 Children can become trapped in the packing film when playing and suffocate.


- Do not allow children to play with the unit or the packing film. Danger of suffocation.
- Ensure that children do not remove small parts from the device or pull them off of the device (e.g. the batteries from the remote control, knobs or plug adapters). They could swallow the parts and choke.

Danger Risk of injury

 An unstable base may cause the unit to tip and injure or even kill persons, children are particularly at risk. You can prevent many accidents by taking the following precautions.


- Only place the subwoofer on the floor.
- If you want to use underframes or speaker stands, only use those recommended by the manufacturer.
- When storing the product, also ensure that it stands safely and that it cannot be knocked down or over.

Danger to hearing!

 Loud noise may lead to hearing loss. Very high noise pressure may suddenly be emitted, especially if a subwoofer is activated and set to full volume. This may have psychological consequences and also cause physical injury. Children and pets are particularly at risk.


- Set the volume control of your signal source to a low setting.
- When the volume is set high, always keep a certain distance from the unit and never place your ear directly on the speaker.
- To avoid damage to health, avoid extended listening at high volume.

Danger Danger of injury/damage!

 Setting the device up in an unsuitable location may result in injury to persons and/or damage to property.

- Never use the unit unmounted in vehicles, in unstable locations, on wobbly tripods or furniture, on insufficiently dimensioned brackets etc. The device could tip or fall down and cause injury to persons or be damaged itself.
- Arrange the device so that it cannot be knocked over accidentally and make sure that the cables do not pose a trip hazard.
- Do not place the unit near sources of heat (e.g. heaters, ovens, other heat generating equipment such as amplifiers etc.).

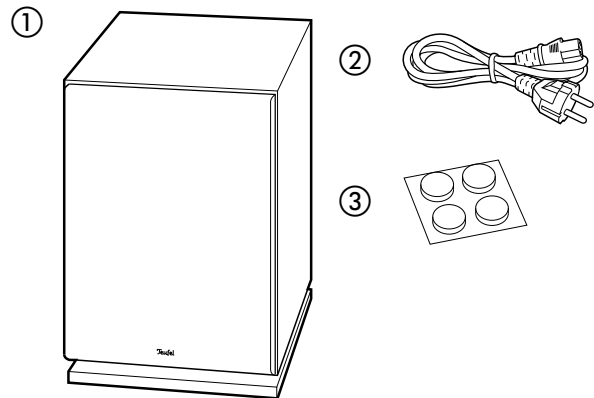
Danger Fire hazard!

 Improper use may lead to damage or fire.

- Do not place open flames such as burning candles or similar on the unit.
- Do not place the unit in direct sunlight.

Product contents

- ① 1 x Aktive Subwoofer T 2300 SW / T 1300 SW
- ② 1 x Power cord
- ③ 4 x Rubber feet



Check to be sure

Check that all items have been delivered and that nothing is damaged.

If the delivery is incomplete or you find damage sustained in transit, do not operate the device; instead contact our service department.

Technical data

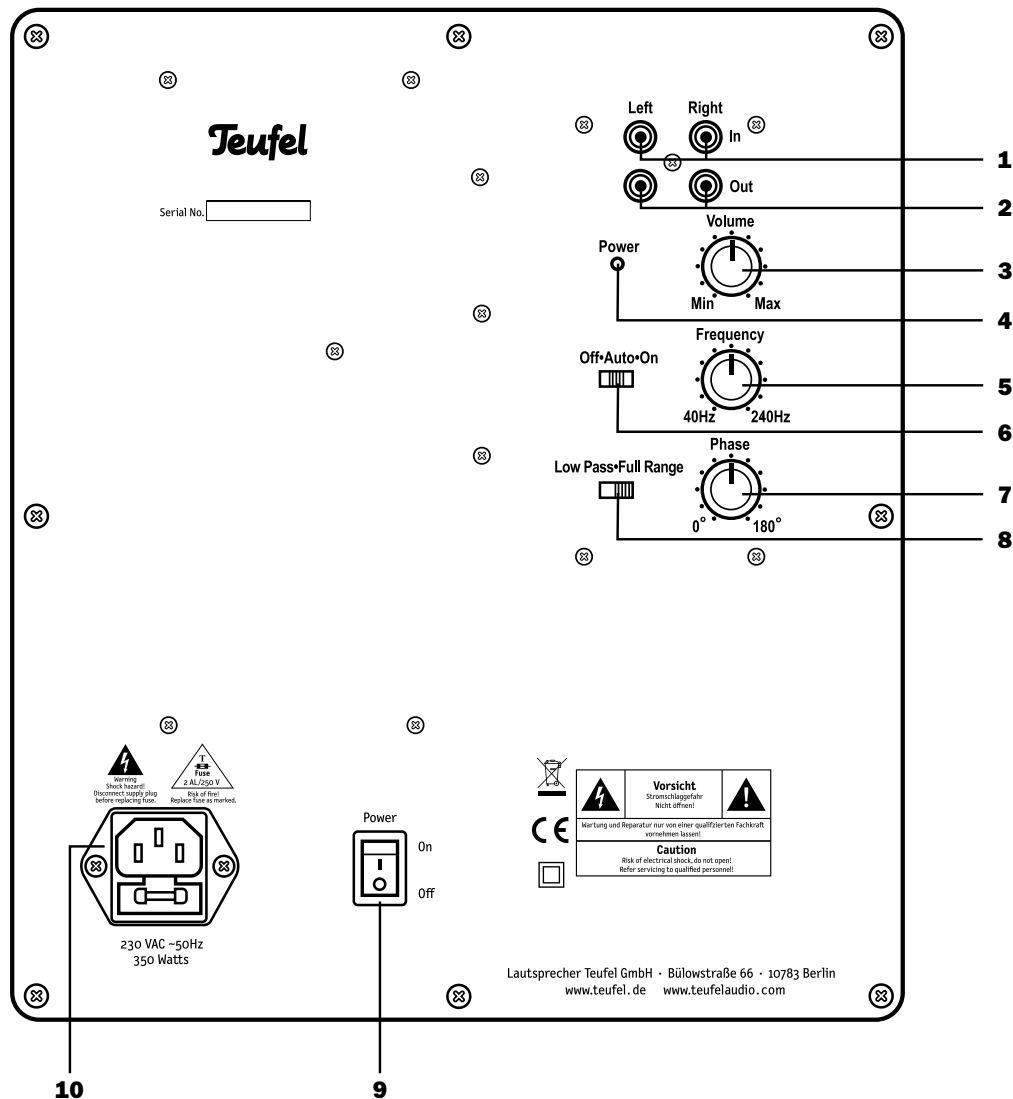
Type	T 2300 SW	T 1300 SW
Dimensions (HxWxD)	595 x 380 x 469 mm	495 x 320 x 429 mm
Weight	25 kg	21.7 kg
Operating voltage:	230 V~/50 Hz	230 V~/50 Hz
Max. power consumption	350 Watt	250 Watt

Technical changes reserved!
You can find further technical data on our website.



This product conforms with Council of the European Union guidelines 2004/108/EC and 2006/95/EC.

Control elements and connections



Item	Name	Description
1	In	Audio input jacks
2	Out	Audio out jacks for connecting additional subwoofers
3	Volume	Volume control for subwoofers
4	Power	Power LED (green = on, red = sleep mode/standby)
5	Frequency	Control for frequency up to which the subwoofer operates
6	Off•Auto•On	Automatic activation/deactivation or permanently activated
7	Phase	Control for the subwoofer phase
8	Low Pass•Full Range	Low Pass = Frequency control activated, Full Range = No frequency filtering
9	Power On/Off	Mains switch
10	-	Connector jack for mains cord ②

Setup notes

- Select a stable, level base.
- Make sure that the environment is clean and free from dust.
- Avoid placing the unit close to sources of heat or in direct sunlight.
- Arrange the connector cables so that they do not pose a trip hazard.
- Do not place any heavy objects on the cables or the speakers.
- The location of the subwoofer can be freely selected and does not influence the other speakers. However, do not place it in the corner of a room as this may cause uncontrollable frequency overloads. A location between the front speakers is often ideal.
- The enclosed rubber feet are affixed to all four corners on the base plate of the subwoofer in order to avoid interference associated with vibrations.

Connecting

Danger Danger of injury/damage!

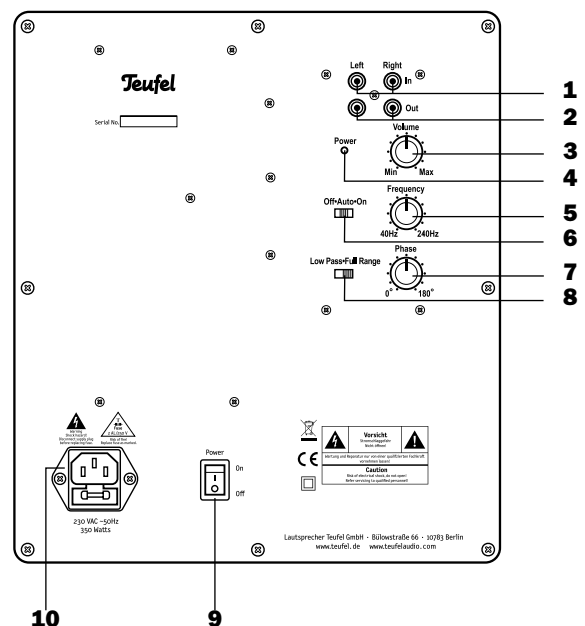
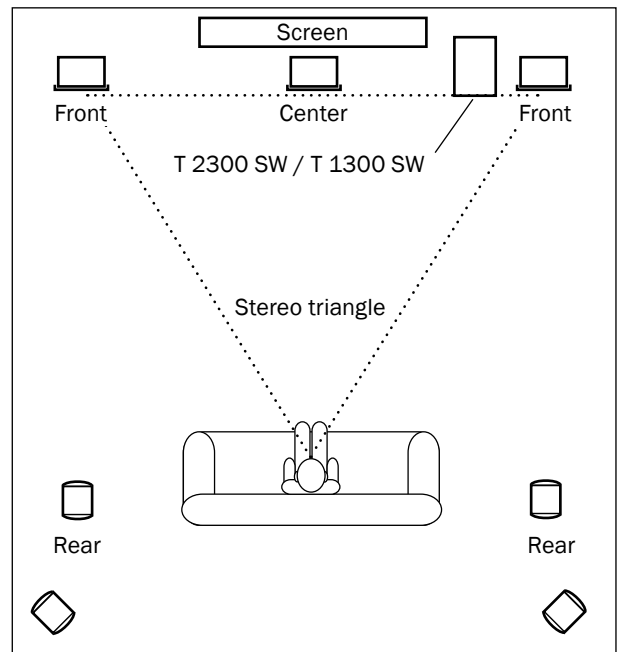


Arrange the cables so that they do not pose a trip hazard.

- Pull the mains plug of your amplifier/AV receiver out of the socket.
- Ideally, you should connect the subwoofer with the subwoofer output of the amplifier/AV receiver using an RCA mono cable. Normally, only the RCA jack **1** "LEFT IN" on the back side of the subwoofer is used for this purpose.
- The RCA jack **1** "RIGHT IN" is only occupied if you use a Y adapter for the connection. This increases the subwoofer level slightly.
- You will find more information on this in the operating instructions of your amplifier/AV receiver.
- If your amplifier/AV receiver does not have a connection for a subwoofer, connect an available speaker outlet with an RCA cable. We offer voltage reducers on our website in the "Accessories" area.

Connection to a power supply

- Ensure that the mains switch **9** "Power" on the subwoofer is switched off ("0 OFF" position).
- Connect the mains connector jack **10** with a mains socket using the power cord.
- Also plug the mains plug of your amplifier/AV receiver back into the socket.



Adjusting and use

Adjusting amplifier/AV receiver and Subwoofer

Most amplifiers/AV receivers feature a menu with speaker settings (referred to as "Speaker Setup" or similar).

Amplifier/AV receiver setup

- Subwoofer to "on"
- Crossover frequency for subwoofer:
 - 100 Hz, if satellites with 130 mm midrange speakers are connected.
 - 80 Hz, if satellites with 160 mm midrange speakers are connected.
- Volume of the subwoofer to more than 75 %

Subwoofer setup

- Switch **6** "Off • Auto • On" to "Auto".
- Switch **8** "Low Pass • Full Range" to "Full Range" (switch setting: right).
- Control **3** "Volume" to center position.
- Control **5** "Frequency" to the right until it stops.

With these settings, the subwoofer will work optimally and the automatic activation/deactivation is functioning properly. You can make the final fine tuning later on your amplifier/AV receiver.

Subwoofer setup with non-adjustable amplifier/AV receiver

If your amplifier/AV receiver does not provide the above options, you can make the most important settings directly on the subwoofer. To do so, you will need a CD or DVD with adequate, powerful sound.

- Set switch **8** "Low Pass • Full Range" to the left to "Low Pass". This activates the controls **5** "Frequency" and **7** "Phase".
- Set the crossover frequency with the controller **5** "Frequency" to about 100 Hz (fourth mark). This sets the subwoofer to reproduce only frequencies up to 100 Hz.
- Set the control **7** "Phase" to "0°".
- Set the control **3** "Volume" to center position.
- Now make an audition and then adjust the volume control **3** "Volume" until the subwoofer is clearly audible and adjust the control **5** "Frequency" until the bass is strong but not booming.
- Once you have set the best sound, move the control **7** "Phase" several times until it stops in both directions. If you notice a marked improvement in sound here, find the optimal setting. Otherwise, leave the knob to "0°".
- Optimise the settings with other CDs/DVDs and different volumes.

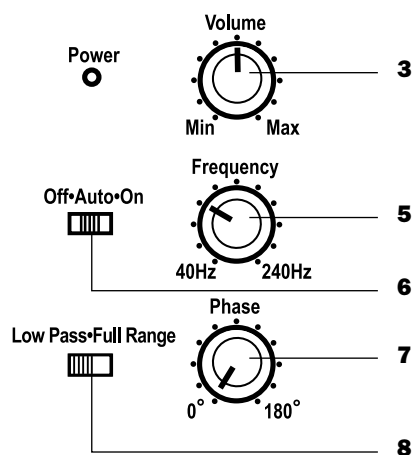
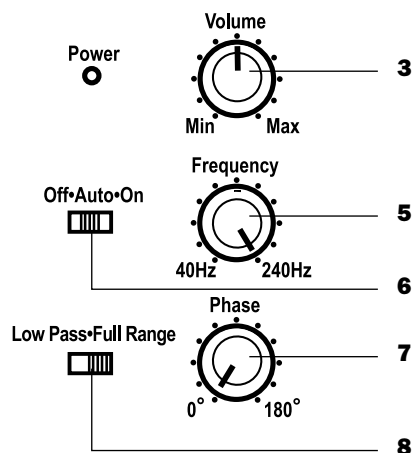
Automatic activation/deactivation

With switch **6** "Off • Auto • On" you can switch the operating state:

Off Standby

Auto The subwoofer activates as soon as an audio signal is present on the input jack **1** "Line In". If there is no audio signal for some period of time, the subwoofer switches to standby.

On: The subwoofer is continually activated.



Care and cleaning

Clean the subwoofer regularly with a soft, damp microfiber cloth. When doing so, please be absolutely sure to observe the following instructions:

- If possible, only use plain water without any additives. In case of stubborn marks, a mild soap solution may be used.
- Make sure that no liquid penetrates the unit.

Danger Risk of electric shock!



In contact with live parts, water can lead to electric shock or short circuit.

- Make sure that no liquid penetrates the unit.
- Disconnect the mains plug before cleaning.

Attention Risk of damage!

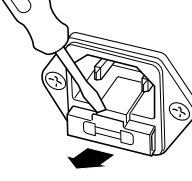
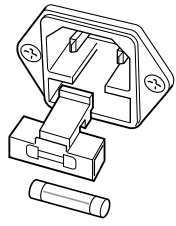


Using the wrong cleaning materials may damage the delicate surface of the case.

If possible, only use plain water without any additives. In case of stubborn marks, a mild soap solution may be used. In no circumstances should caustic cleaning products, white spirit, thinners, petrol or similar be used for cleaning.

Troubleshooting

The following notes and further detailed information on our website should help you to rectify malfunctions. If this does not lead to success, please contact our hotline ☎00800 - 200 300 40 (free of charge). Please also observe the warranty notes.

Problem	Possible cause	Solution
The subwoofer isn't working.	The subwoofer is off or doesn't have any power.	Turn on the switches 9 and 6 ("On"). Check the power cord and socket.
	Fuse defective.	<ol style="list-style-type: none">  <p>Disconnect the power cord. Carefully pull the fuse holder out of the mains connection.</p>  <p>Push the old fuse down and out. Insert a new fuse (2 A delayed action) and push the holder back.</p>
	The volume has been set too low.	Increase the volume with the control 3 .
The subwoofer hums.	The subwoofer is connected to another circuit than the rest of the system.	Connect the subwoofer and AV receiver to the same circuit.
	The buzzing is caused by problems with the power supply.	Buy a line filter and connect both devices to it.
	The buzzing is caused by a multi-outlet power strip.	Use another multi-outlet power strip or connect the subwoofer directly to the wall socket. It may also help to insert the power plug the other way around.

Protecting the environment

Disposal of the unit



Used units must not be disposed of with household waste.

If the unit is no longer operational, every consumer is required by law to dispose of used devices separately from household waste, e.g. at a collec-

tion point run by the communal authority borough. In this way it is ensured, that used devices are properly recycled and that negative consequences on the environment are avoided. For this reason, electrical equipment is labelled with the displayed symbol.

Lautsprecher Teufel GmbH

Gewerbehof Buelowbogen - Ausgang D1
Buelowstr. 66, 10783 Berlin (Germany)

www.teufelaudio.com

Phone: 00800 - 200 300 40
(free of charge)
Fax: +49 (0)30 / 300 930 930

Teufel