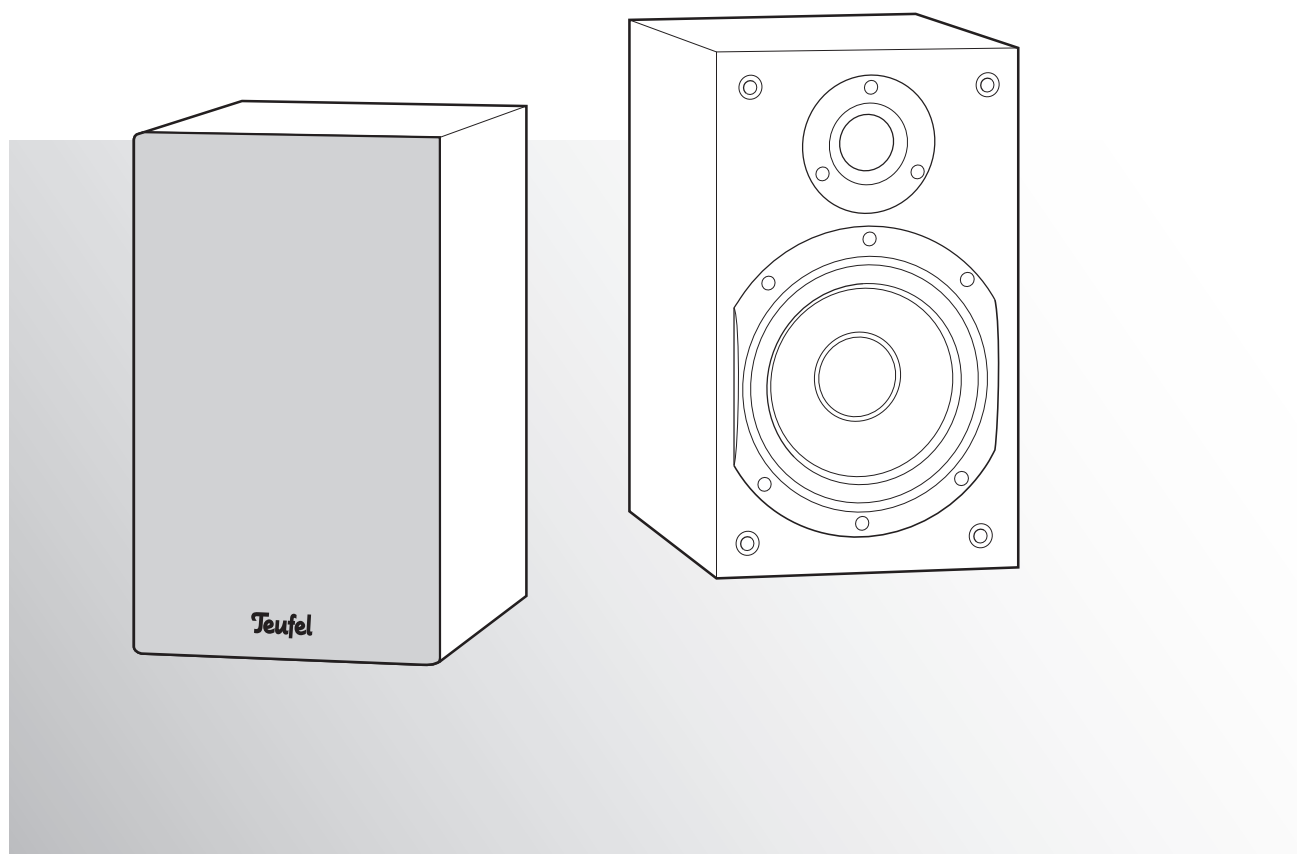


## Technical description and operating instructions



### **VT 11**

Stereo Shelf Speakers

**Teufel**

# Contents

---

<b>General notes and information .....</b>	<b>3</b>
Notice .....	3
Original packaging.....	3
Complaints.....	3
Contact .....	3
Proper use.....	3
<b>Safety notes .....</b>	<b>4</b>
Caution icons .....	4
Safety notes .....	4
<b>Unpacking and setup.....</b>	<b>5</b>
Check to be sure.....	5
Location tips.....	5
Removing the cover grill.....	5
<b>Connecting the cables .....</b>	<b>6</b>
<b>Care and cleaning.....</b>	<b>6</b>
<b>Technical data.....</b>	<b>7</b>
<b>Declaration of conformity .....</b>	<b>7</b>
<b>Disposal.....</b>	<b>8</b>
Important information in accordance with the Electrical and Electronic Equipment Act (Germany: ElektroG) .....	8

# General notes and information

## Notice

The information in this document may change without prior notice and in no way constitutes any liability on the part of Lautsprecher Teufel GmbH.

No part of these instructions may be reproduced in any form or be broadcasted in any way electronically, mechanically, by photocopy or recording without the written permission of Lautsprecher Teufel GmbH.

© Lautsprecher Teufel GmbH  
Version 3.0  
März 2022

## Original packaging

If you wish to exercise your right of return, we ask that you be absolutely sure to hold onto the packaging. We can only accept the return of the speakers WITH THE ORIGINAL PACKAGING.

Empty boxes are not available!

## Complaints

In case of complaint we will need the following information to process your enquiry:

### 1. Invoice number

Can be found on the sales slip (enclosed with the product) or on the order confirmation received as a PDF document, e.g. 4322543.

### 2. Serial number or batch number

Located on the back of the unit,  
e.g. serial number: UL 04007480121A

Many thanks for your support!

## Contact

Please contact our customer service with any questions, suggestions or criticism:

**Lautsprecher Teufel GmbH**

**BIKINI Berlin**

**Budapester Str. 44**

**10787 Berlin (Germany)**

Phone 00800 - 200 300 40 (toll-free)

Fax: +49 (0)30 / 300 930 930

Service: [www.teufelaudio.com/service](http://www.teufelaudio.com/service)

Contact: [www.teufelaudio.com/contact](http://www.teufelaudio.com/contact)

## Proper use

Only use the speakers as described in these operating instructions. Any other use will be deemed as not in accordance with the instructions and may lead to damage to property or even persons.

The manufacturer accepts no liability for damage caused by use not in accordance with the instructions.

The speakers are intended for private use.



Before operating the speakers please read the safety notes and operating instructions carefully. This is the only way to use all functions safely and reliably.

Keep the operating instructions safe and pass them on to anyone who may own the unit after you.

## Safety notes

### Caution icons

You will find the following caution icons in these instructions:

---

#### **Danger High risk!**



Failure to observe the warning may result in severe personal injury or death.

---

#### **Attention Moderate risk!**



Failure to observe the warning may result in property damage.



#### **Minor risk!**

Points which should be observed when handling the unit.

---

### Safety notes

---

#### **Danger Danger to children!**



Children can become trapped in the packing film when playing and suffocate.

- Do not allow children to play with the unit or the packing film. Danger of suffocation.
  - Ensure that children do not remove small parts from the unit or take them off of the unit (e.g. control knobs or plug adapters). They could swallow the parts and choke.  
Never allow children to operate electrical devices unsupervised.
- 

#### **Danger Danger to hearing!**



Loud noise may lead to hearing loss.

This may have psychological consequences and also cause physical injury. Children and pets are particularly at risk.

- Set your signal source unit volume control to a low setting.
  - When the volume is set high, always keep a certain distance from the unit and never place your ear directly on the speaker.
  - To avoid damage to health, avoid extended listening at high volume.
- 

---

#### **Danger Danger of injury/damage!**



Selecting an incorrect location may result in damages.

- Never use the units unmounted in vehicles, in unstable locations, on wobbly tripods or furniture, with attachment fixtures that are too small etc. The speakers could tip or fall down and cause injury to persons or be damaged.
  - Arrange the speakers so that they cannot be knocked over accidentally and make sure that the cables do not pose a trip hazard.
  - Ensure that any wall mounting is performed in a professional manner.
  - Only use suitable wall brackets for mounting. Verify the carrying capacity of the walls.
  - Do not use the speakers if the housing or the connector cables are defective or if they exhibit any other visible damages.
  - Only use the speakers indoors.
  - Do not operate the speakers in moist areas and protect them from drops of water or splash water.  
Also take care not to stand vases or other containers of liquid on or near the speaker in order to avoid liquid getting into the case.
  - Do not place the speakers near sources of heat (e.g. heaters, ovens, other heat generating equipment such as amplifiers etc.).
-

## Unpacking and setup

Open the boxes carefully, take out the half shell EPE packaging foam and carefully lift the speaker out of the box without touching the diaphragms.



### Connector cables

Due to differing customer requirements, your speakers are shipped without connector cables. You can find suitable cables in our webshop ([www.teufelaudio.com](http://www.teufelaudio.com)) in the "Accessories" area.

### Check to be sure

- Check that all items have been delivered and that nothing is damaged.
- If the delivery is incomplete or you find damage sustained in transit, do not operate the speakers, instead contact our service department (see page 3).

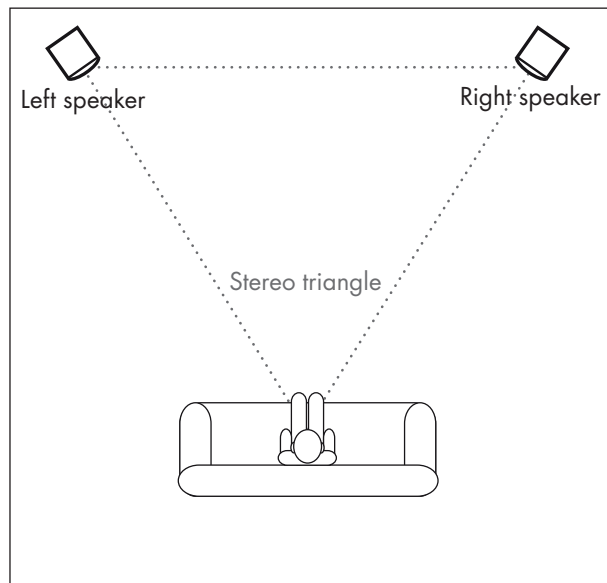
### Location tips

- Select a stable, level base.
- Make sure that the environment is clean and free from dust.
- Avoid placing the unit close to sources of heat or in direct sunlight.
- Arrange the connector cables so that they do not pose a trip hazard.
- Do not place any heavy objects on the cables or the speakers.

The following data concern an "ideal home cinema", in which the listener sits in a central position at a sufficient distance in front of the speakers (see the adjacent graphic) and no objects (tables or the like) are located in between. Unfortunately, the room, furnishings or other circumstances do not always allow for optimum arrangement.

Modern amplifiers offer a variety of possibilities for electronically compensating losses associated with the arrangement. The following general rule applies: You can always experiment on what works best in your listening room in terms of sound and appearance based on our recommendations. Let your ears (and eyes) be the judge!

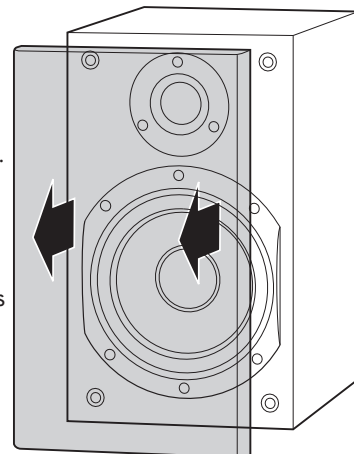
The speakers should be situated to the left and right of the listener and if possible, form an equilateral triangle with the listener – the so-called stereo triangle (distance from the listener = distance between the speakers). The speakers should project sound directly into the room or be arranged slightly towards the listener. Shelves and sideboards, for example, are ideal locations for the speakers. There should be approx. 10 cm of space between the back of the speakers and the wall.



### Removing the cover grill

You can remove the cover grill from the speakers by carefully reaching behind the cover grill and slowly pulling it off to the front.

When reattaching the grill, ensure that the installation pins slide into the corresponding holes on the speaker.



## Connecting the cables

### **Danger** Danger of injury/damage!



Arrange the cables so that they do not pose a trip hazard.

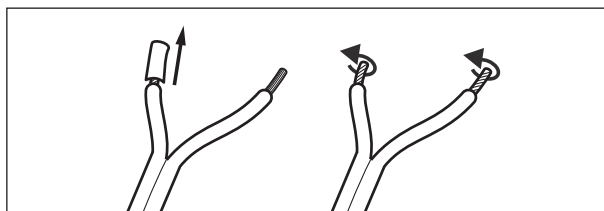
1. Turn off your amplifier.
2. Lay the speaker cables from your amplifier to each speaker. These cables should be high-quality double-wire speaker cable with marked strands. A connector terminal with two terminal clips is located on the back side of each speaker. Here you can connect the speaker cables directly or with pin plugs. We only describe the direct connection in these instructions.

The terminals are each marked in red (+) and black (-).

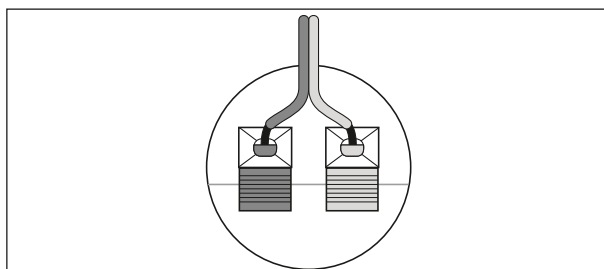


### **Make sure the polarity is correct!**

Connect the same-colour terminals of your speakers and amplifier with each other. Otherwise the sound quality will suffer. The individual single wires of the speaker cables are marked with different colours or shapes to facilitate the process.



3. Split the single wire on both ends up to approx. 30 mm and remove approx. 10 mm of the insulation on each single wire. Twist the stripped single wire ends together so that no wire protrudes.



4. Push the grooved lever on the spring clip terminal and insert the stripped end of the wire into the hole that appears. Let go of the lever. The speaker cable has now been clamped in place.
5. Connect the speaker cables to your amplifier. The operating instructions of the appliance should contain notes on this.

## Care and cleaning

The veneered surfaces of our speakers have a protective surface coat, which eliminates the need for wood polish.

- You can best remove dust or small amounts of dirt with a dry, smooth leather cloth.
- Rub off stubborn dirt with a damp cloth. Make sure that no liquids penetrate the speakers.
- Then immediately wipe the surfaces dry using a soft cloth and without applying pressure.

### **Attention** Risk of damage!



Using the wrong cleaning materials may damage the delicate surface of the case.

- If possible only use lukewarm, plain water without any cleaning products. In case of stubborn marks, a mild soap solution may be used.
- In no circumstances should caustic cleaning products, white spirit, thinners, petrol or similar be used for cleaning.

## Technical data

---

Impedance: 4–8 ohm  
Power handling 50 watts (longterm), 80 watts (shortterm)

Dimensions (W x D x H) 155 mm x 195 mm x 260 mm  
Net weight 2,8 kg

Technical changes reserved!

## Declaration of conformity

---



Lautsprecher Teufel GmbH declares that this product complies with the relevant European and national directives. The full text of the CE Declaration of Conformity can be found at this web address:

[www.teufel.de/konformitaetserklaerungen](http://www.teufel.de/konformitaetserklaerungen)  
[www.teufelaudio.com/declaration-of-conformity](http://www.teufelaudio.com/declaration-of-conformity)

## Disposal

### Important information in accordance with the Electrical and Electronic Equipment Act (Germany: ElektroG)

We advise owners of electrical and electronic appliances that old electrical and electronic devices must be handed in separately from municipal waste, in accordance with the applicable regulations. Batteries and rechargeable batteries that are not firmly enclosed in old electrical devices and lamps, and that can be removed from the old device without destroying them, must be separated from them in a non-destructive manner before they are handed to the collection point for their intended disposal. Please take note of our information on the Batteries Act [Germany: BattG] below for disposing of batteries.

You make an important contribution to returning, recycling and further processing of old devices if you separate your old devices into the correct collection groups for recycling.

The symbol below of a crossed-out dustbin, applied to electrical and electronic appliances, also advises of the duty to separate collections:



Consumer electronics stores and supermarkets are obliged, under certain conditions, to take back old electrical and electronic devices, in accordance with section 17 of the Electrical and Electronic Equipment Act. Stationary retailers must take back an old electrical device of the same type when a new electrical device is bought (1:1 return). This also applies to home deliveries. These retailers must also take back up to three small old electrical devices ( $\leq 25\text{cm}$ ) without this being linked to a new purchase (0:1 return).

In accordance with the Electrical and Electronic Equipment Act, as online retailers of electrical devices and due to our product range, our obligation is limited to 1:1 return of large devices of  $> 50\text{ cm}$  when selling a new electrical or electronic device of the same type. We comply with the obligation of return of devices other than large devices through our service provider. You can find the exact contact data and collection points on our website [www.Teufel.de/entsorgung](http://www.Teufel.de/entsorgung). It is also possible to return old electrical and electronic appliances free of charge at an official delivery point run by the public waste disposal authorities.

**Important:** For safety reasons we ask that you refrain from sending lighting fixtures (some lamps). For return of lighting fixtures please use the public waste disposal collection points or contact us directly at [www.Teufel.de/entsorgung](http://www.Teufel.de/entsorgung).

As an end-user, you are responsible for deleting any personal data on old electrical appliances before handing it in.

**Important:** Our appliances can contain batteries/rechargeable batteries. If this is the case, please refer to its attached product documentation for additional information on the type and chemical make-up of the battery. For products with battery compartments you can directly remove the batteries or rechargeable batteries and dispose of them properly. If the batteries are built in to the product, do not in any case attempt to remove the batteries yourself, instead contact one of our employees or appropriate specialist staff.









# Teufel

Please contact our customer service department with any questions, suggestions, or complaints:

**Lautsprecher Teufel GmbH**  
BIKINI Berlin  
Budapester Str. 44  
10787 Berlin (Germany)  
[www.teufelaudio.com](http://www.teufelaudio.com)

Phone.: 00800 200 300 40 (toll-free)  
Fax: +49 (0)30 - 300930930  
Service: [www.teufelaudio.com/service](http://www.teufelaudio.com/service)  
Contact: [www.teufelaudio.com/contact](http://www.teufelaudio.com/contact)

No responsibility is assumed for the correctness of this information. Technical changes, typographical errors and other errors reserved.