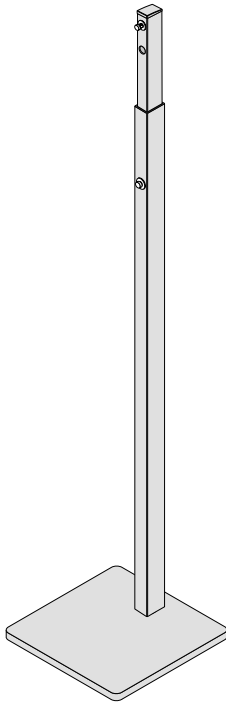


Technical Description and Operating Instructions



**Speaker stand
AC 3001 SP**

Teufel

General notes and information

Proper use

Only use the speaker stand for mounting suitable speakers. You can find a corresponding list on our website www.teufelaudio.com. Any other use will be deemed as not in accordance with the instructions and may lead to damage of property or even persons. The manufacturer accepts no liability for damage caused by use not in accordance with the instructions. The product is intended for private use.



Before operating the product for the first time, please read the safety notes and operating instructions carefully. This is the only way to use all functions safely and reliably. Keep the operating instructions safe and pass them on to anyone who may own the unit after you.

Notice

The information in this document may change without prior notice and in no way constitutes any liability on the part of Lautsprecher Teufel GmbH. No part of these instructions may be reproduced in any form or be broadcasted in any way electronically, mechanically, by photocopy or recording without the written permission of Lautsprecher Teufel GmbH.

Original packaging

If you wish to exercise your right of return, we ask that you be absolutely sure to hold onto the packaging. We can only accept the return of a unit WITH THE ORIGINAL PACKAGING. Empty boxes are not available!

Complaints

In case of a complaint we implicitly need your invoice number and the serial or lot number for processing. The serial number is located on the bottom side of the device.

Many thanks for your support!

Contact

Please contact our customer service with any questions, suggestions or criticism:

Lautsprecher Teufel GmbH

BIKINI Berlin

Budapester Str. 44

10787 Berlin (Germany)

Phone 00800 - 200 300 40 (toll-free)

Fax: +49 (0)30 / 300 930 930

Service: www.teufelaudio.com/service

Contact: www.teufelaudio.com/contact

Safety notes



Danger to children!

Children can become trapped in the packing film when playing and suffocate.

- Do not allow children to play with the unit or the packing film. Danger of suffocation.
- Ensure that children do not remove small parts from the unit or take them off of the unit. They could swallow the parts and choke.



Caution!

Incorrect location may result in damage.

- Place the speakers in such a way that they cannot be knocked over unseen and make sure that the cables do not pose a trip hazard.

- Do not place the speakers near or directly above sources of heat (e.g. heaters, ovens, other heat generating equipment such as amplifiers etc.).
- Avoid direct sunlight at the setup location.



Warning of damage to property!

The isolation pads can produce discolouration on sensitive surfaces.

- On parquet, varnished wood and similar surfaces, you should stick felt gliders to the rubber feet of the speaker stand or put blankets or small carpets under them. This will prevent discolouration of the floor over the long term.

Product contents

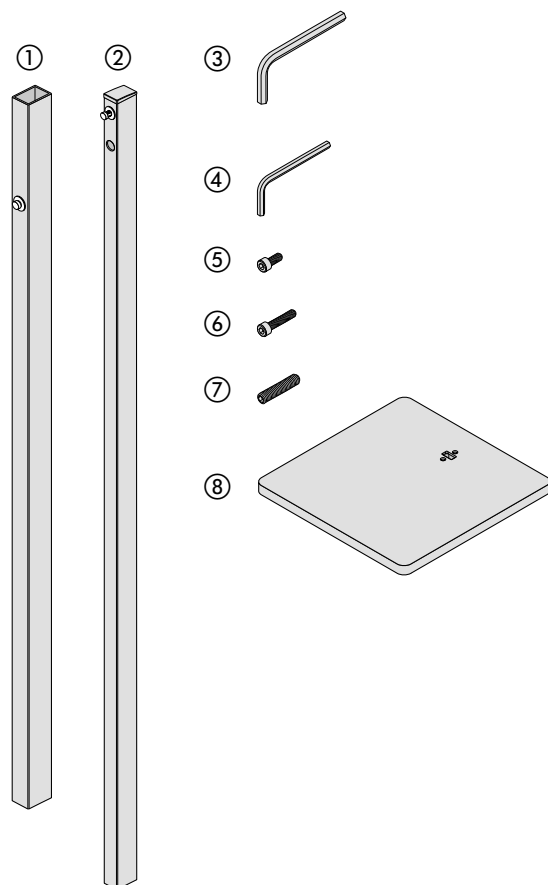
- ① 1 x tube for column speakers
- ② 1 x tube for micro-speakers
- ③ 1 x Allen key SW 5
- ④ 1 x Allen key SW 3
- ⑤ 1 x cylinder head screw M4 x 10
- ⑥ 2 x cylinder head screw M4 x 20
- ⑦ 1 x threaded pin M6 x 25
- ⑧ 1 x base plate with cover

Check that all items have been delivered and that nothing is damaged.

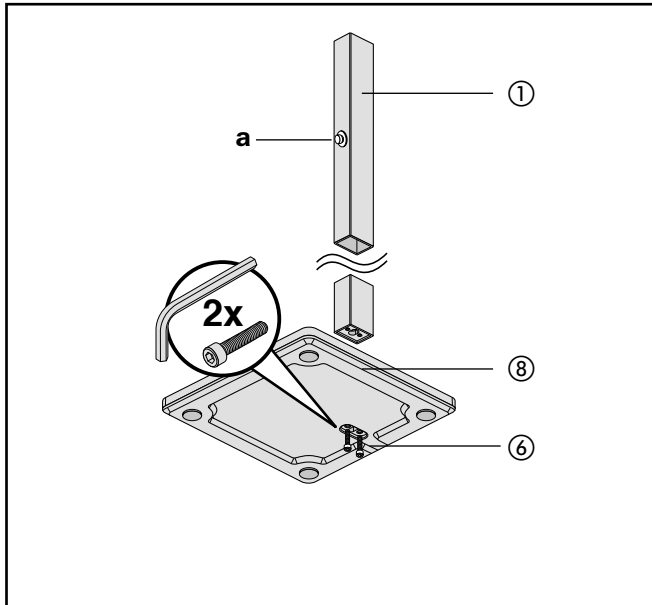
If anything is missing or damaged, please contact our service department (see page 1). Do not use a product if it is damaged.

Note:

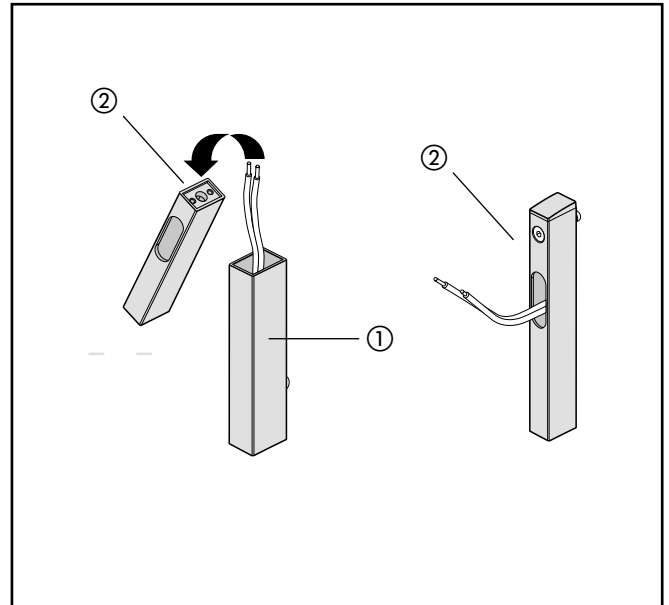
You can find a current list with all the speakers that are suitable for use with this speaker stand on our website at www.teufelaudio.com.



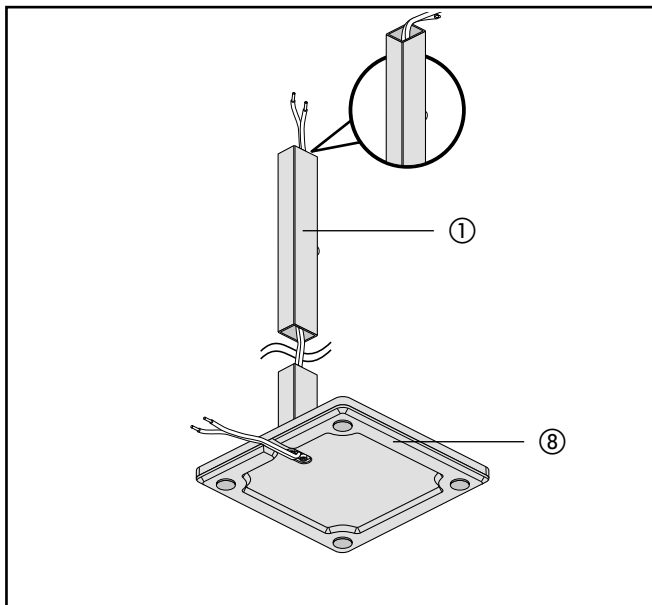
Assembly of speaker stand for column speakers



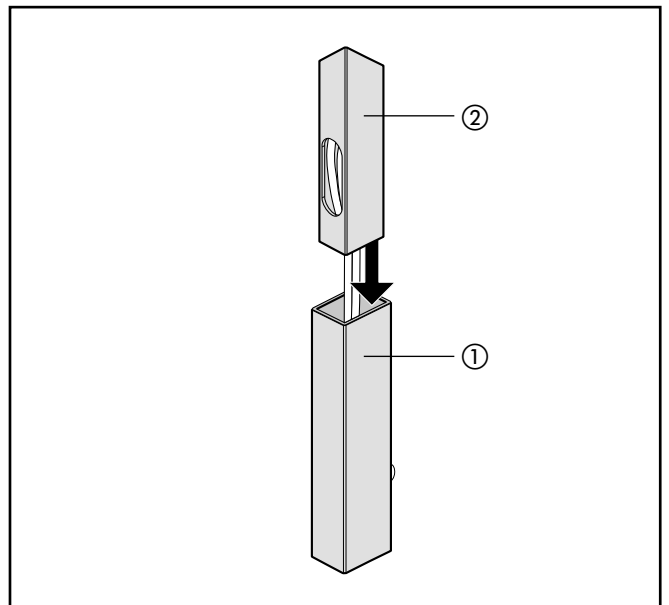
1. Use two cylinder head screws ⑥ to screw the tube ① securely onto the base plate ⑧. Align the tube so that the bolt (a) is facing forward.



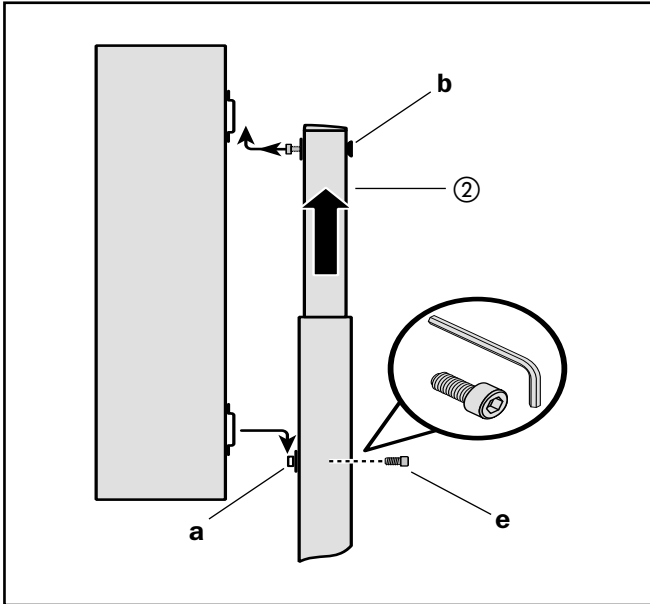
3. Now run the speaker cable through the second tube ② from below until you can pull the speaker cable out of the upper opening.



2. Run the speaker cable through the hole in the base plate ⑧ and through the tube ① until it extends somewhat out of the tube on the top.

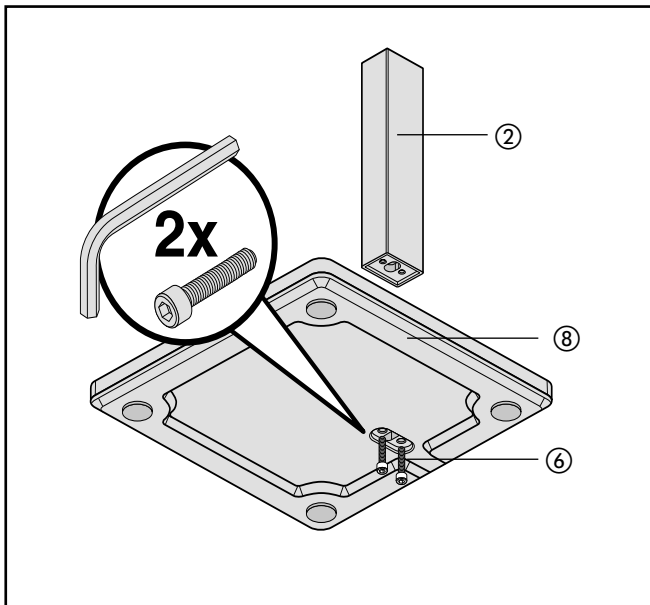


4. Push the tube ② all the way into the tube ①. Make sure that the large oval openings in the tube ② are facing to the back.

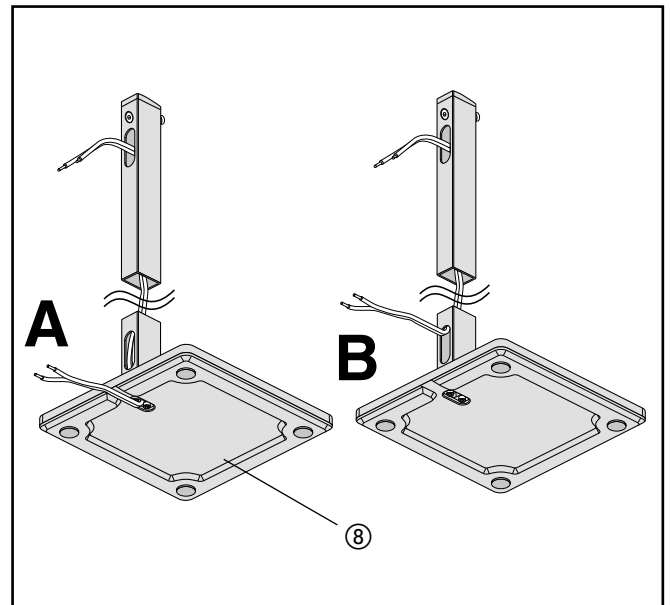


5. Connect the cable to the speaker.
6. Place the speaker with the bottom bracket on the bottom bolt (a).
7. Push the tube b up until the holding screw runs stops in the upper bracket.
8. Use the cylinder screw e to secure the tube.
9. Then tighten the countersunk head nut (b).

Assembly of the speaker stand for micro-speakers



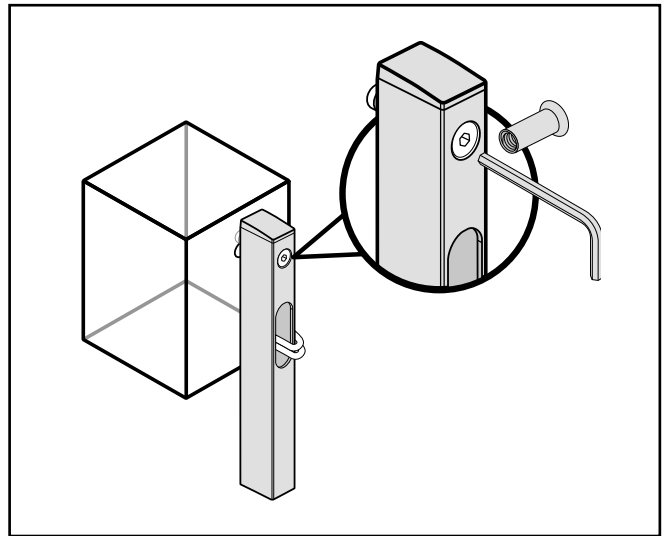
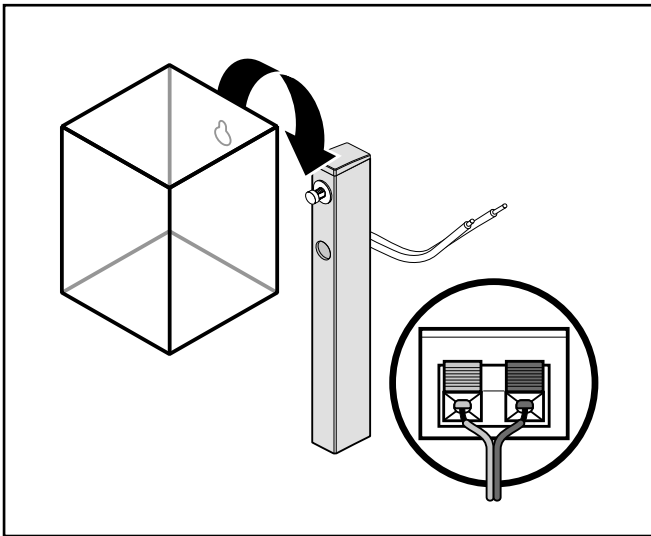
1. Screw the tube ② onto the base plate ⑧ with two cylinder header screws ⑥. Align the tube so that the bolt is facing forward.



2. Run the speaker cable either through the bottom hole in the base plate (example **A**) or through the lower opening in the tube (example **B**). Pull the cable through the tube until it extends out of the upper oval opening.

Depending on the design of your speakers, there are two options for fixing:
 A speakers with keyhole opening and B speakers with a threaded insert.

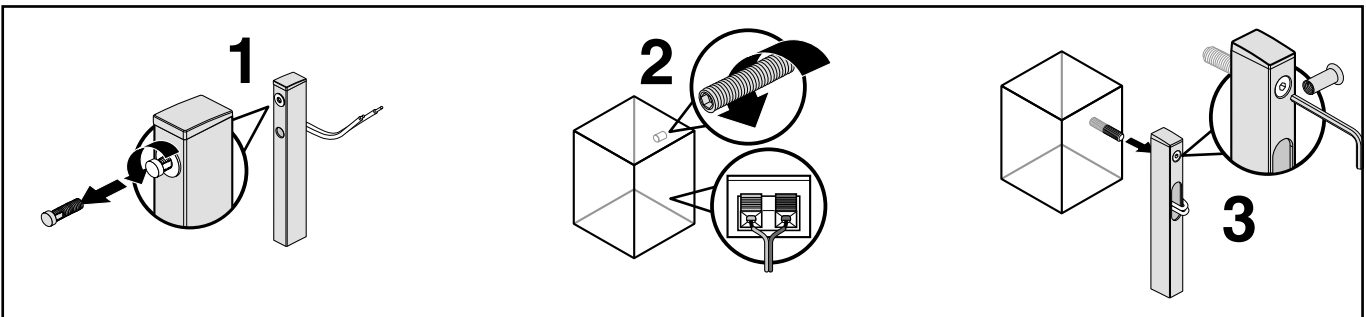
A Speakers with keyhole opening



1. Connect the speaker cable.
2. Carefully use the keyhole opening to hang the speaker on the pre-installed holding screw.

3. Tighten the countersunk head nut on the back.

B Speakers with threaded insert



1. First remove the pre-installed holding screw.

2. Turn the threaded pin into the threaded insert on the back of the speaker.

3. Insert the threaded pin, which has been screwed into place, in the opening where the holding screw was installed before. Use the countersunk head nut on the back to screw it tight.

Technical data

Max. carrying capacity:	5 kg
Height:	1090 mm
Base plate dimensions:	225 x 225 mm

You can obtain further technical data on our website.

Teufel

Please contact our customer service department with any questions, suggestions, or complaints:

Lautsprecher Teufel GmbH
BIKINI Berlin
Budapester Str. 44
10787 Berlin (Germany)
www.teufelaudio.com

Phone.: 00800 200 300 40 (toll-free)
Fax: +49 (0)30 - 300 930 930
Service: www.teufelaudio.com/service
Contact: www.teufelaudio.com/contact

No responsibility is assumed for the correctness of this information. Technical changes, typographical errors and other errors reserved.