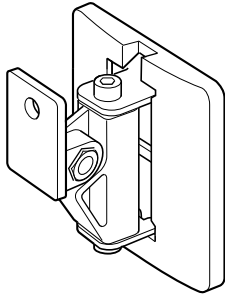


# Technical Description and Operating Instructions



## Speaker wall mount AC 3500 SM

**Teufel**  
... makes you happy

## General notes and information

### Proper use

Only use the wall mount as described in these operating instructions. Any other use will be deemed as not in accordance with the instructions and may lead to damage of property or even persons. The manufacturer accepts no liability for damage caused by use not in accordance with the instructions. The product is intended for private use.



Before mounting the wall mount, please read the safety notes and operating instructions carefully. This is the only way to use the product safely and reliably.

Keep the operating instructions safe and pass them on to anyone who may own the unit after you.

### Notice

The information in this document may change without prior notice and in no way constitutes any liability on the part of Lautsprecher Teufel GmbH. No part of these instructions may be reproduced in any form or be broadcasted in any way electronically, mechanically, by photocopy or recording without the written permission of Lautsprecher Teufel GmbH.

### Original packaging

If you wish to exercise your eight-week right of return, we ask that you be absolutely sure to hold onto the packaging. We can only accept the return of the wall mount WITH THE ORIGINAL PACKAGING. Empty boxes are not available!

### Complaints

In case of a complaint we implicitly need your invoice number and the serial or lot number for processing. The serial number can be found on the back side of the device.

Many thanks for your support!

### Contact

For questions, suggestions or criticism please contact our customer service department:

Lautsprecher Teufel GmbH  
Gewerbehof Buelowbogen  
Buelowstrasse 66  
10783 Berlin (Germany)

**Phone 00800 - 200 300 40 (free of charge)**

**Fax: +49 (0)30 / 300 930 930**

**E-mail: [service@teufelaudio.com](mailto:service@teufelaudio.com)**

**[www.teufelaudio.com](http://www.teufelaudio.com)**

## Safety notes

### Caution icons

You will find the following caution icons in these instructions:



**High risk!** Failure to observe the warning may result in severe personal injury or death.



**Moderate risk!** Failure to observe the warning may result in property damage.



**Minor risk!** Points which should be observed when handling the unit.

### Danger Danger to children!



Children can become trapped in the packing film when playing and suffocate.

- Do not allow children to play with the wall mount and the packaging film. Danger of suffocation.
- Make sure that children do not remove or pull off small parts from the packaging (e.g. screws). They could swallow the parts and choke.

**Danger Danger of injury/damage!**



An inadequate installation location may result in damage.

- Mount the speakers such that they can not be hit accidentally and that the cables do not pose a tripping hazard. The speakers could break off, fall down and cause personal injury or be damaged.
- Do not mount the wall mounts near or directly above sources of heat (e.g. heaters, ovens, other heat generating equipment such as amplifiers etc.).
- Avoid direct sunlight at the installation location.
- Verify the carrying capacity of the wall. Plasterboard walls or drywalls (Rigips etc.) may give way when exposed to excessive loads.

- Furthermore, please keep in mind that the vibrations which are generated by the speaker can be transferred to the wall by the wall mount. In case of wooden walls this may cause distortions.
- Also note the dimensions of the speaker.
- Make sure that the installation is performed in a workmanlike manner.
- Only use mounting material which is suitable for the composition of your walls. If you are unsure regarding the selection, consult an expert.
- Before drilling the holes, make sure that no pipes are located within the drilling area using a metal detector.

## Product contents

- ① 1 x base plate
- ② 1 x cover (put on base plate ①)
- ③ 1 x bracket
- ④ 4 x half round head screw
- ⑤ 4 x masonry plug
- ⑥ 1 x nut
- ⑦ 3 x screw
- ⑧ 1 x retaining bolt
- ⑨ 1 x Allen key

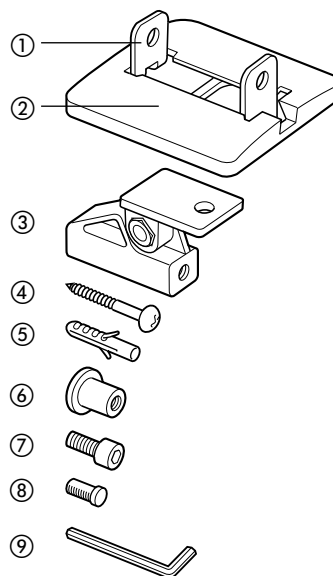
If the delivery is incomplete or exhibits transport damages, please contact our service department (see page 1).

**Danger Mounting material**



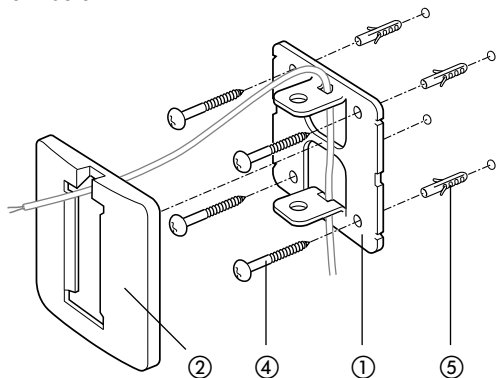
The enclosed mounting material (4 half round head screws ④ and 4 masonry plugs ⑤) is exclusively suitable for normal stone and concrete walls. Lautsprecher Teufel GmbH can in no case assume any guarantee or warranty for the firm and/or permanent hold of the enclosed mounting material. Make sure that the installation is performed in a workmanlike manner.

If your walls are made of a material other than stone and concrete, make sure to use mounting materials suitable for your specific walls. Always consult an expert. Adhere to the above-mentioned safety notes.

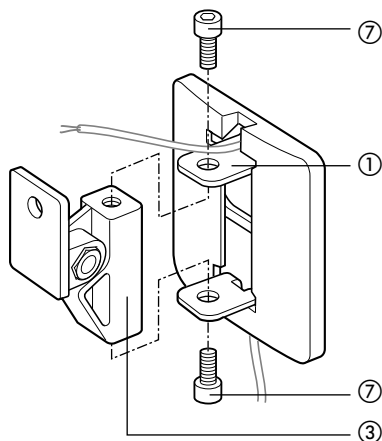


# Assembly

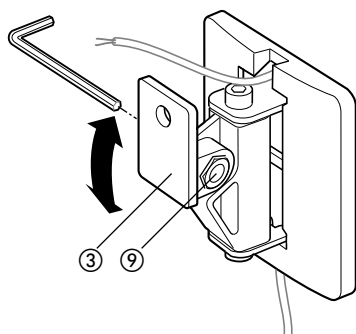
1. Remove the cover ② from the base plate ①.
2. Hold the base plate ① against the wall at the desired location and mark the four drill holes horizontally.
3. Drill holes with a diameter of 6 mm in the wall at the marked positions.
4. Insert four masonry plugs ⑤ in the drill holes.
5. Run the speaker cable through the holes in the base plate ① from below.



6. Screw the base plate ① on the wall using four half round head screws ④.
7. Run the upper end of the speaker cable through the hole in the cover ②.
8. Put the cover ② on the base plate ①. In the process, the speaker cable must be run through the notches on the front and bottom side.
9. Insert the bracket ③ in the base plate ① and screw tighten it using two screws ⑦.  
If necessary, the speaker can be horizontally aligned with the listening position later by loosening these screws.



10. If necessary, loosen the screw ⑨ and change the inclination of the bracket ③.

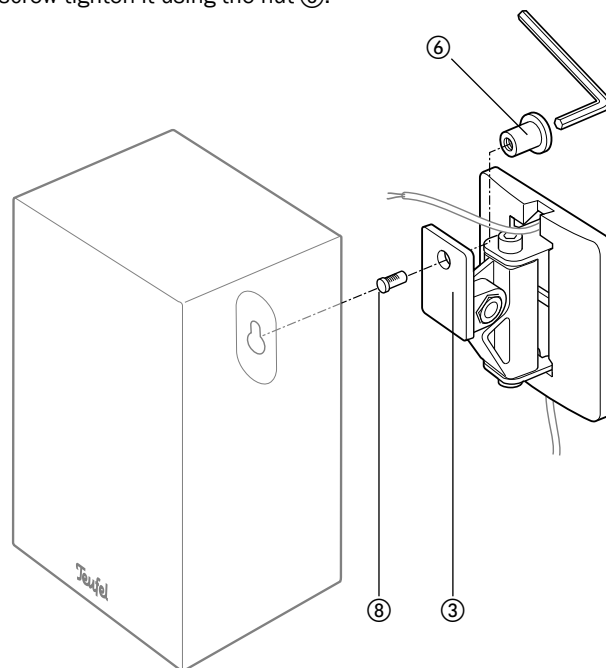


11. Attach the speaker to the bracket ③.  
You have two options for this:

## Speakers with key hole on the rear panel:

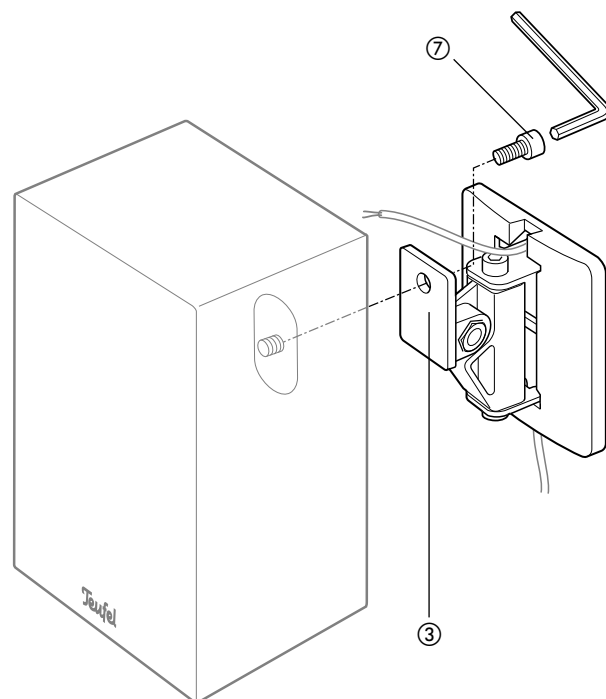
Insert the retaining bolt ⑧ in the bracket ③ from the front and screw it in place loosely using the nut ⑥.

Carefully hang up the speaker on the retaining bolt ⑧ and screw tighten it using the nut ⑥.



## Speakers with M6 thread on the rear panel:

Screw tighten the speaker on the bracket ③ using the screw ⑦.



## Technical data

---

|                                   |                 |
|-----------------------------------|-----------------|
| Max. carrying capacity:           | 5 kg            |
| Dimensions (W x D x H) (approx.): | 70 x 78 x 60 mm |
| Net weight (approx.):             | 165 g           |



This product conforms with Council of the European Union guidelines 2004/108/EC and 2006/95/EC

Technical changes reserved!

**Lautsprecher Teufel GmbH**  
Gewerbehof Buelowbogen - Aufgang D1  
Buelowstr. 66, 10783 Berlin (Germany)  
[www.teufelaudio.com](http://www.teufelaudio.com)

Phone: 00800 - 200 300 40  
(free of charge)  
Fax: +49 (0)30 / 300 930 930

**Teufel**  
... makes you happy