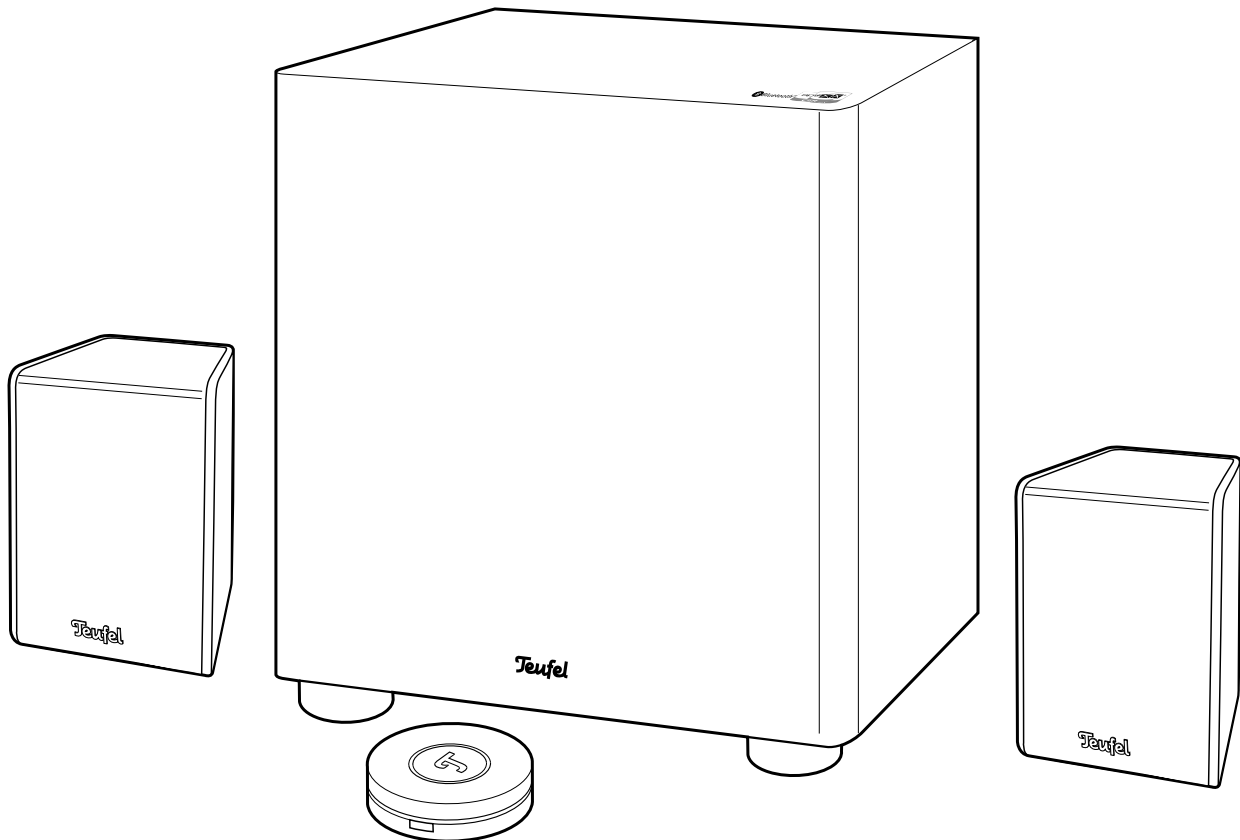


# Technical Description and Instruction Manual

---



## Concept C

2.1 Audio System

**Teufel**

# Contents

---

<b>General Notes and Information.....</b>	<b>3</b>	<b>Remote control.....</b>	<b>11</b>
Notice .....	3	Pairing of the remote control .....	11
Trademark .....	3	Changing the batteries.....	11
Original packaging.....	3	<b>Operation and Use .....</b>	<b>12</b>
Complaints.....	3	Off and standby modes.....	12
Proper Use .....	3	On and standby modes .....	12
<b>For Your Safety .....</b>	<b>4</b>	Adjusting the volume .....	12
Signal words.....	4	Selecting Inputs.....	12
Safety notes.....	4	Pairing Bluetooth®.....	13
Explanation of Symbols.....	5	<b>Care and Cleaning.....</b>	<b>14</b>
<b>Overview .....</b>	<b>6</b>	<b>Troubleshooting .....</b>	<b>15</b>
Package contents.....	6	<b>Technical Data.....</b>	<b>16</b>
Connections and Control Elements.....	6	<b>Declaration of Conformity .....</b>	<b>16</b>
<b>Preparation.....</b>	<b>8</b>	<b>Disposal .....</b>	<b>17</b>
Unpacking .....	8	Important information in accordance with	
Installation Notes .....	8	the Electrical and Electronic Equipment Act	
<b>Connecting .....</b>	<b>9</b>	(Germany: ElektroG) .....	17
Connecting components.....	9	Important information about the Batteries	
Connecting headphones.....	9	Act (Germany: BattG).....	17
Connecting a microphone.....	9		
Connecting satellite speakers .....	10		
Connecting to the mains .....	10		

# General Notes and Information

---

## Notice

The information in this document may change without prior notice and in no way constitutes any liability on the part of Lautsprecher Teufel GmbH.

No part of this installation guide may in any way be reproduced or broadcast electronically, mechanically, or by photocopy or recording without the written permission of Lautsprecher Teufel GmbH.


© Lautsprecher Teufel GmbH

Version 3.0

February 2022

## Trademark

® All trademarks are the property of the respective owners.

 **Bluetooth**® Bluetooth® and the Bluetooth® symbol are trademarks of Bluetooth SIG, Inc.



aptX® and the aptX symbol are trademarks of CSR plc or affiliated companies and may be registered in several countries.

## Original packaging

If you wish to use your right of return, we ask that you be absolutely sure to hold on to the packaging. We can only accept the return of the product WITH THE ORIGINAL PACKAGING.

Empty boxes are not available!

## Complaints

If you would like to file a complaint, we will need the following information to process your inquiry:

### 1. Invoice number

Can be found on the sales slip (enclosed with the product) or on the order confirmation you received as a PDF document, e.g. 4322543.

### 2. Serial number or batch number

Located on the back of the device, e.g. Serial No.: TH04....

Thank you for your assistance!

## Contact

Please contact our customer service with any questions, suggestions or criticism:

**Lautsprecher Teufel GmbH**  
**BIKINI Berlin**  
**Budapester Str. 44**  
**10787 Berlin (Germany)**

Phone 00800 - 200 300 40 (toll-free)

Fax: +49 (0)30 / 300 930 930

Service: [www.teufelaudio.com/service](http://www.teufelaudio.com/service)

Contact: [www.teufelaudio.com/contact](http://www.teufelaudio.com/contact)

## Proper Use

The speakers are designed for the playback of music and speech from external components.

Only use the Concept C as described in this installation guide and the online manual. Any other use will be deemed as not in accordance with the instructions and may lead to damage of property or even personal injury.

The manufacturer accepts no liability for damage caused by use not in accordance with the instructions.

This device is intended for private use only.



Before you operate the device, please first read carefully through the safety notes and installation guide. Only then can you ensure that all functions will be used in a safe and reliable manner. Store the installation guide in a safe place and also be sure to give it to any subsequent owner.

# For Your Safety

---

## Signal words

You can find the following signal words in these instructions:

### **⚠ WARNING**

*This signal term indicates a moderate risk, which, if not avoided, may result in death or severe injury.*

### **⚠ CAUTION**

*This signal term indicates a low risk, which, if not avoided, may result in minor or moderate injury.*

### **NOTICE**

*This signal term warns you of potential damage.*

## Safety notes

**Improper electrical installation or excessive mains voltage may result in an electrical shock.**

- The subwoofer is suitable for a mains voltage of 230V ~ / 50Hz. When connecting the device, make sure that the correct voltage is present. You can find more information in this respect on the nameplate.
- Check the subwoofer regularly for damage. Immediately disconnect the mains plug and do not operate the device if its housing or mains cord is defective or exhibits other visible damages.
- If the mains cord is damaged, it must be replaced with an equivalent power cord.
- If the subwoofer emits smoke, smells burnt, or makes unusual sounds, immediately disconnect it from the electrical socket and do not operate it further.
- Never open the subwoofer housing. Repairs may only be carried out by an authorized workshop and only parts that correspond to the original unit specifications may be used.
- Only use accessory products specified by the manufacturer.
- Only use the subwoofer indoors.
- Do not use the device in damp rooms and protect it from dripping and splashing water. Make sure that no vases or other liquid-filled containers are on or near the device in order to prevent liquid

from penetrating the housing. If water or other debris penetrates the housing, immediately unplug the device and contact our service centre.

- Never modify the device. Unauthorized tampering could affect its safety and function.
- Never touch the power plug or plug the device in with wet hands.

**An unstable setup location may result in injury and damage.**

- If the subwoofer is not securely mounted, do not use it in vehicles, unstable locations, with insufficient brackets, on wobbly stands or furniture, etc. The subwoofer could tip over or fall and cause injury to persons or be damaged itself.
- Place the subwoofer in such a way that it cannot be inadvertently knocked over and make sure that the cables do not pose a trip hazard.
- Do not place the subwoofer near sources of heat (e.g. heaters, ovens, other heat generating equipment such as amplifiers etc.).
- Do not use the subwoofer in environments where there is a risk of explosion.
- Only use the Bluetooth® function in locations where wireless radio transmission is allowed.

**An unstable base may cause the unit to tip and injure or even kill persons; children are particularly at risk. You can prevent a large number of accidents by taking the following precautions:**

- Only place the subwoofer on the floor.
- If you want to use underframes or speaker stands, only use those recommended by the manufacturer.
- When storing the subwoofer, ensure that it stands safely and cannot be knocked down or over.

**Children can become trapped in the plastic wrapping while playing and suffocate.**

- Do not allow children to play with the subwoofer and plastic wrapping. There is a danger of suffocation.
- Ensure that children do not remove small parts from the device or take them off of the device (e.g. control knobs or plug adapters). They could swallow the parts and choke.
- Never let unsupervised children use electrical equipment.

**Leaking battery acid may lead to chemical burns.**

- Do not allow battery acid to come into contact with skin, eyes or mucus membranes. In the event of contact with acid, immediately flush the applicable areas with plenty of clean water and consult a physician if necessary.

**Batteries (particularly lithium batteries) can explode if used improperly.**

- Never attempt to recharge batteries
- Only use batteries of the same or equivalent type.
- Do not heat or short circuit batteries or dispose of them in fire.
- Do not expose batteries to direct sunlight.

**Extended listening at high volumes may lead to hearing loss.**

- To prevent damage to health, avoid extended listening at high volumes.
- When the volume is set high, always keep a safe distance from the device and never place your ear directly on the speaker.
- If a speaker is set to full volume, it may produce very high sound pressure. This may have psychological consequences and also cause physical injury. Children and pets are particularly at risk. Set the volume control of your device to a low setting before turning on the power.



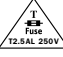
**Surges from lightning can damage or destroy the subwoofer.**

- When the subwoofer will not be used for a long time (e.g., during holidays) or during a thunderstorm, unplug the power cord.
- In case of a prolonged absence, remove the battery from the remote control. A leaking battery can damage the remote control.

**The isolation pads can produce discolouration on sensitive surfaces.**

- On parquet, varnished wood and similar surfaces, you should stick felt gliders to the rubber feet of the speaker or put blankets or small carpets under them. This will prevent discolouration of the floor over the long term.

**Explanation of Symbols**

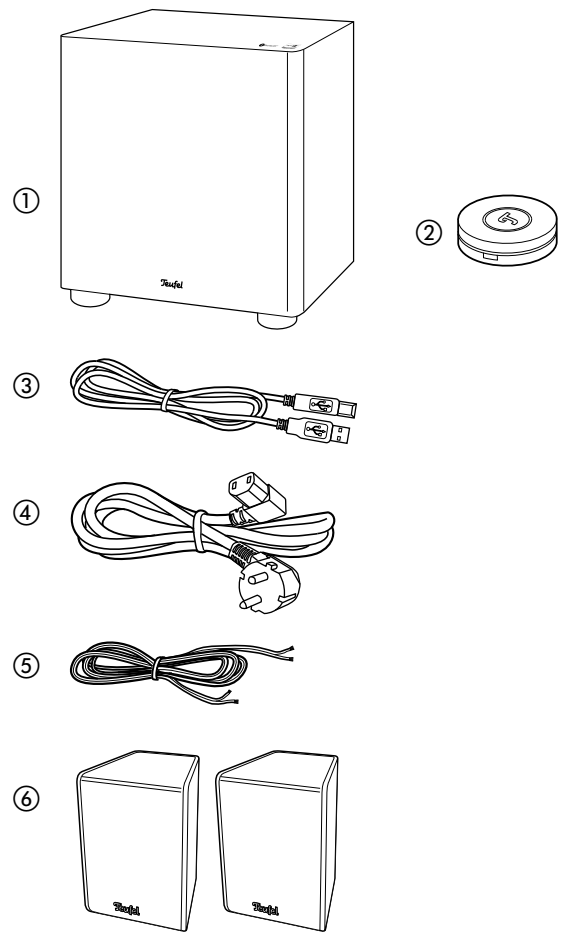
	Protection class II - double insulated
	Risk of electric shock – Do not open the housing. Unplug power cord before replacing the fuse.
	Fuse T 2,5 AL / 250 V

# Overview

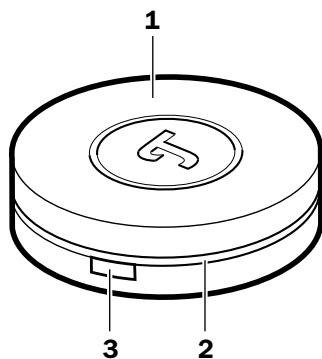
## Package contents

- ① 1x Subwoofer Concept C
- ② 1x Remote control
- ③ 1x USB cable
- ④ 1x AC power cable
- ⑤ 1x Speaker cable (15 m)
- ⑥ 2x satellite speakers C25FCR.

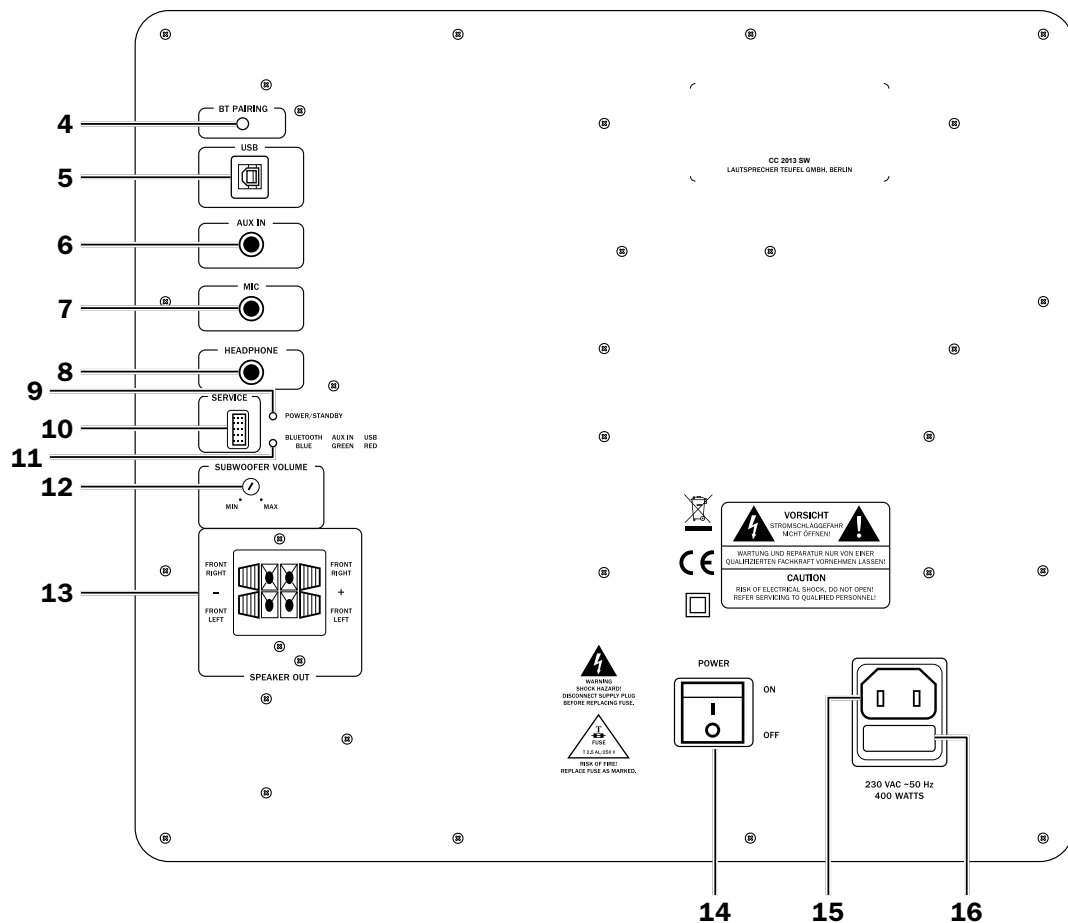
- Check that all items have been delivered and that nothing is damaged.
- If there are damaged or missing parts, do not use the device and please contact customer service (see page 3).
- Never use a damaged subwoofer.



## Connections and Control Elements



Item	Name	Description
1	Control dial	Control dial
2	LED ring	LED ring
3	Side button	Side button



Item	Name	Description
4	<b>BT PAIRING</b>	Establishing Bluetooth® connection
5	<b>USB</b>	USB-connection port
6	<b>AUX IN</b>	Input jack for analog signal (e.g., MP3-Player)
7	<b>MIC</b>	Input jack for a microphone
8	<b>HEADPHONE</b>	Output for headphones
9	<b>POWER / STANDBY</b>	LED 1 (red=standby, green=on)
10	<b>SERVICE</b>	Service jack (only for the service technician)
11	<b>BLUETOOTH / AUX IN / USB</b>	LED 2 (blue=BLUETOOTH, green=AUX IN, red=USB)
12	<b>SUBWOOFER VOLUME</b>	Volume control
13	<b>SPEAKER OUT</b>	Analog audio output for satellite speakers
14	<b>POWER ON / OFF</b>	Power switch
15		AC power socket
16		Fuse

# Preparation

## Unpacking

- Carefully open the box and lift out the subwoofer and the EPE foam parts without touching the diaphragms in the subwoofer base.

## Installation Notes

**i** Our website contains comprehensive notes for correct setup.

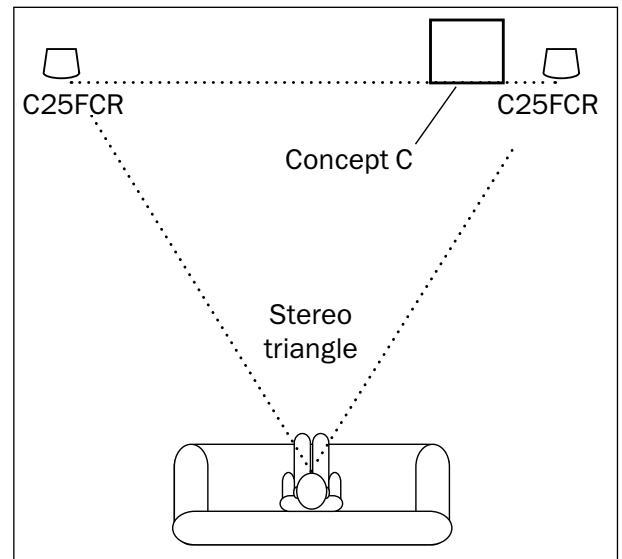
- Select a stable, level base.
- Make sure the area is dry and dust free.
- Make sure that the subwoofer is firmly positioned to prevent vibrations.
- Avoid placing the subwoofer close to sources of heat or in direct sunlight.
- Arrange all of the cables so they do not pose a trip hazard.
- Do not place any heavy objects on the cables or the speakers.

### Setup for living areas

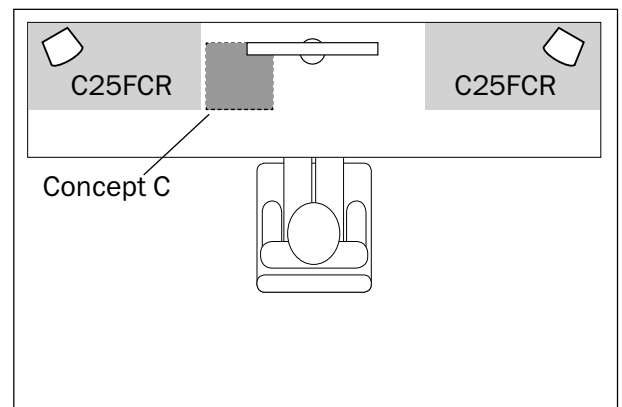
- Set up the satellite speakers such that they are at an equal distance from the listener on both the left and right side (if possible) or mount them on the wall.
- The location of the subwoofer can be freely selected and does not influence the other speakers. However, do not place it in the corner of the room as this may result in irregular frequency overloads. A location between the satellite speakers is often ideal.

### Setup as a PC sound system

- When using the unit as a PC sound system, it is best to face the speakers towards the PC workstation, that is, the area where the monitor and listener are located.
- Please position the speakers within the grey areas.



Setup for living areas



Setup as PC sound system



# Connecting

## Connecting components

1. Unplug all devices to be connected to the subwoofer in order to prevent them from accidentally turning on.
2. Connect the Concept C to the components as shown in the following examples.
  - PC:
    - Connection to **USB (5)** using a USB cable. Set audio output on the PC to the USB sound device or similar.
  - MP3-Player:
    - Connection to **AUX IN (6)** using an RCA cable with a 3.5 mm jack.
  - Microphone:
    - Connect a microphone to **MIC (7)** using a 3.5 mm jack.

You can find suitable cables in our web shop.

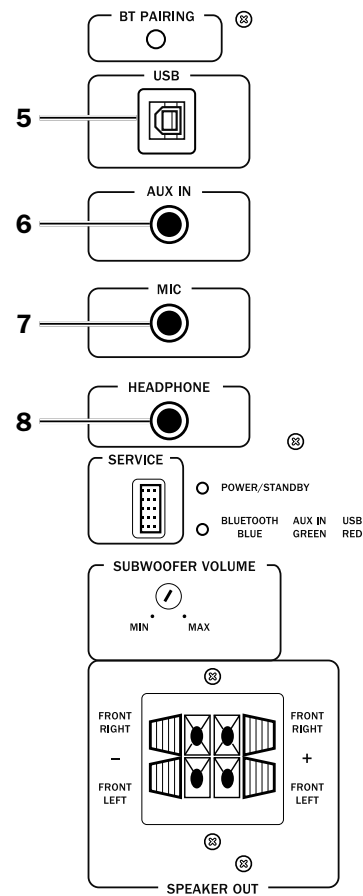
You can also connect a smartphone or tablet to the Concept C (see “Bluetooth® pairing” on page 13).

## Connecting headphones

You can connect any standard headphones with a 3.5 mm jack to the **HEADPHONE (8)** jack. The subwoofer and satellite speakers are automatically muted when headphones are connected.

## Connecting a microphone

The signal of a microphone connected to the **MIC (7)** jack is passed via USB to the PC sound card and can then be processed further. The **MIC (7)** jack is not suitable for karaoke or similar applications. In the Bluetooth® mode, the **MIC (7)** jack has no function.



## Connecting satellite speakers

### ⚠ CAUTION

- Lay the speaker cables so they do not pose a trip hazard.

### NOTICE

Make sure the polarity is correct!

- Connect the like-coloured terminals, otherwise the sound quality will suffer.
- The strands of the speaker cables are marked with different colours or shapes.

1. On the back of the Concept C are the analog outputs **SPEAKER OUT (13)** for the satellite speakers.  
Run the speaker cables from the subwoofer to each satellite speaker.  
Helpful tip: Label the cables on the subwoofer end – this will make the setup and tear-down of the system easier.

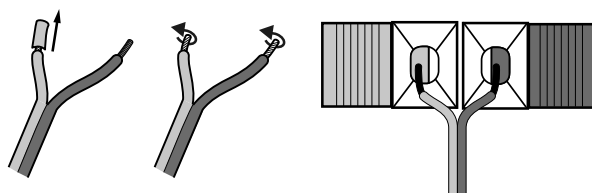
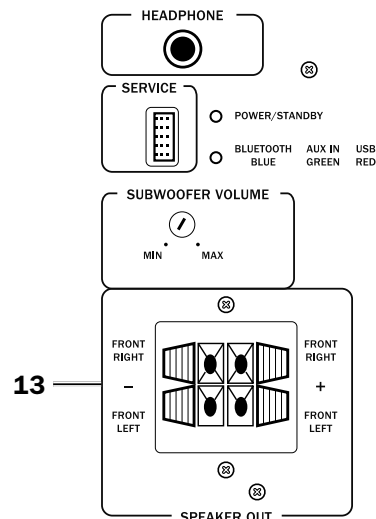
2. Split the speaker cables down to approx. 30 mm on both ends and strip approx. 10 mm of insulation off of each cord.

3. Twist the stripped single wire ends together so that no wire protrudes. Tin coating is not necessary.

4. Push down the connector terminal levers and put the stripped cable ends into the corresponding holes. When the levers are released, the cable ends will be locked.

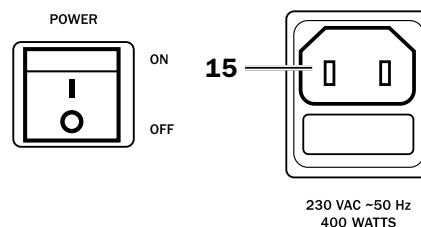
Connect all cables to the subwoofer in this way. Ensure that no part of the insulation is clamped in place.

5. Connect the other ends of the speaker cables to the satellite speakers. The instruction manual of the speakers contain instructions on this.



## Connecting to the mains

- Insert the mains plug of the supplied power cord into the socket (15).
- Plug the power cord into an easily accessible mains socket.
- Plug the power cords of your components back into the mains socket.

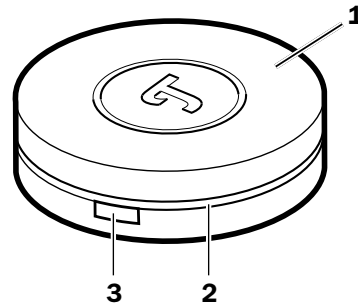


# Remote control

## Pairing of the remote control

By default, the remote control is already paired with the subwoofer. Should the connection be interrupted at some point, the pairing process must be repeated. In such a case, proceed as follows:

1. Turn on the Concept C.
2. Place the remote control at a distance of no more than 25 cm away from the Concept C.
3. Hold the side button **(3)** down until the LED ring **(2)** starts to blink, and then release it.
  - Blinks three times: pairing was successful.
  - Blinks ten times: pairing failed and must be repeated.



## Changing the batteries

The remote control uses 2 AAA batteries.

- Simply lift the control dial **(1)** upwards in order to open the battery compartment.
- Insert the batteries so that the negative pole touches the springs.

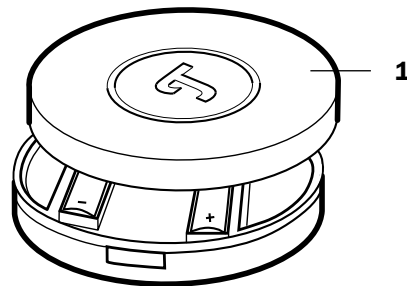
### **CAUTION**

**Leaking battery acid may lead to chemical burns.**

- Do not allow battery acid to come into contact with skin, eyes or mucous membranes. In the event of contact with acid, immediately flush the affected areas with plenty of clean water and consult a physician if necessary.

**Batteries can explode if not used correctly.**

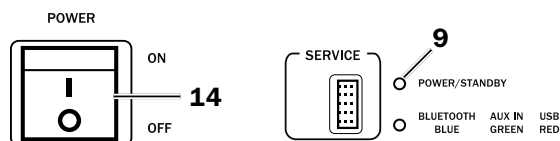
- Never attempt to recharge batteries.
- Only use batteries of the same or equivalent type.
- Do not heat, short circuit or put batteries in fire.
- Do not expose batteries to direct sunlight.



# Operation and Use

## Off and standby modes

- With the power switch **(14)**, you can turn the subwoofer off or put it in standby mode. In standby mode, the red LED **1 POWER/STANDBY (9)** lights up. When the subwoofer is off, the LED will be off.



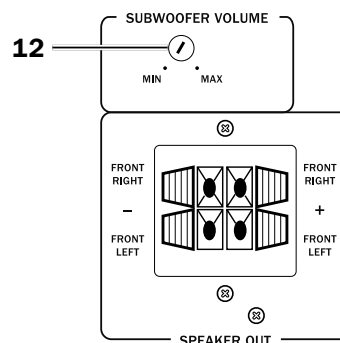
## On and standby modes

- To turn the Concept C on:  
Briefly press the middle of the control dial **(1)** on the remote control.  
When the subwoofer is on, the green LED **1 POWER/STANDBY (9)** will light up.
- To put the Concept C in Standby mode:  
Push and hold the middle of the control dial **(1)** of the remote control until the LED ring **(2)** blinks three times.  
In standby mode, the red LED **1 POWER/STANDBY (9)** will light up.

Subwoofer status	LED 1 (9)
Off	off
Standby	red
On	green

## Adjusting the volume

- Adjusting the system volume:  
Turn the control dial **(1)** on the remote control.
- Turning mute off and on:  
Briefly press the control dial **(1)** on the remote control.
- Adjusting the subwoofer volume:  
Using a screwdriver, turn the subwoofer volume control **(12)** to the desired setting.



## Selecting Inputs

- Repeatedly press the side button **(3)**. With every push, the next input will be chosen (see table on the right).

Active input	LED 1 (9)	LED 2 (11)
USB <b>(5)</b>	green	red
AUX IN <b>(6)</b>	green	green
BLUETOOTH	green	blue

## Pairing Bluetooth®

With Bluetooth®, you can wirelessly connect a compatible source device (e.g., a smartphone) to the Concept C. The sound output of the source device occurs then via the Concept C.

In order to establish a connection, both devices must be paired. The distance between the Concept C and the source device should not be more than 1 m. After the pairing, and without obstacles, the range is about 10 m.

1. Repeatedly press the side button **(3)**, until the blue LED **2 (11)** lights up.  
The input "Bluetooth®" is now selected.
2. Activate Bluetooth® on your source device (e.g., smartphone, iPad® etc.).
3. Press the button **BT PAIRING (4)** and let your source device scan for other Bluetooth® devices.  
You can find more information about this in the instruction manual of your smartphone or tablet.

After the scan, "Concept C" should appear in the list of the detected devices.

Select this item from the list of found devices. Your Concept C now works as a Bluetooth® playback device. All sounds that would otherwise be played from your source device will now be played by the Concept C.

You only need to perform the pairing process once. The Concept C will remain in the list of paired devices and can be selected at any time.

**i** With some smartphones and tablets, you need to make sure that playback will occur through the Bluetooth® device and not on the source device itself. This can be selected through the playback menu.

The volume and sound settings of the source device also affect the volume of the Concept C.

### Bluetooth® options

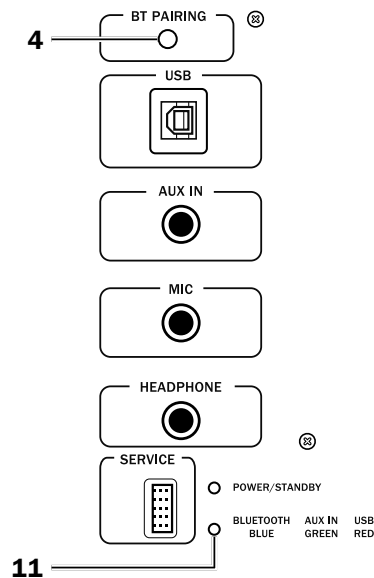
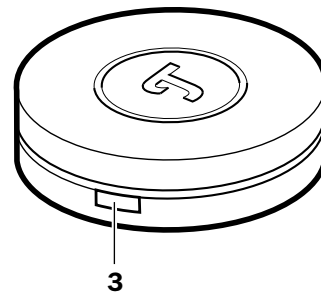
Depending on the type of source device you have, there may be further Bluetooth® options, such as media playback and call function which you can turn off and on according to your wishes.

The call function is not supported by Concept C2013 SW.

For more information about the Bluetooth® options, refer to the instruction manual of your source device.

### Ending Bluetooth® connecting

Turn off the Bluetooth® function on your source device or decouple the Concept C.



## Care and Cleaning

---

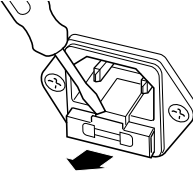
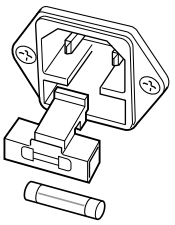
### **NOTICE**

#### **External influences may damage or destroy the device.**

- *If the device will be left unattended for a prolonged period of time (e.g., during a vacation) or if a thunderstorm is forecast, pull the mains plug out of the socket. Otherwise, a sudden electrical surge could damage the subwoofer.*
- *In the event of a prolonged absence, remove the batteries from the remote control. Battery leakage may damage the remote control.*
- *Only use plain water without any additives. In case of stubborn marks, a mild soap solution may be used.*
- *Under no circumstances should caustic cleaning products, rubbing alcohol, thinners, petrol, etc. be used. Such cleaning agents may damage the delicate surface of the subwoofer.*
- *Remove dust or light stains best with a smooth dry leather cloth.*
- *Use a damp cloth to rub off stubborn dirt. Make sure that no liquid penetrates the housing.*
- *Immediately wipe the damp surfaces off with a soft dry cloth without applying pressure.*

# Troubleshooting

The following notes should help you to fix any malfunctions. Should this not be the case, the detailed FAQs on our website should certainly help you. Otherwise, please contact our hotline (see page 3). Also pay attention to the warranty notes.

Problem	Possible Cause	Solution
The subwoofer doesn't produce any sound.	The wrong input is selected.	Select the correct input (see 12).
	The subwoofer is on "mute."	Briefly press the control dial <b>(1)</b> on the remote control.
	The volume is set to "0."	Increase the volume by turning the control dial <b>(1)</b> on the remote control.
The sound is not ideal.	The satellite speakers are connected in reverse	Connect the speakers correctly (see 10).
The subwoofer is not working or is too weak.	The subwoofer is turned off or has no power.	Using the power switch <b>(14)</b> turn the subwoofer on. Double check the power cord and outlet.
	The volume is set too low.	Increase the volume using the Subwoofer Volume <b>(12)</b> .
	The fuse is defective.	<div style="display: flex; justify-content: space-between;"> <div style="width: 45%;"> <p>1. </p> <p>Remove the power cord. Gently pull the fuse holder out of the power plug socket.</p> </div> <div style="width: 45%;"> <p>2. </p> <p>Press out the old fuse downwards. Insert a new fuse (2 A delay) and push back into the holder.</p> </div> </div>
The subwoofer hums.	The humming is caused by problems with the power supply.	Buy a line filter and connect it to the unit.
	The humming is caused by a power strip.	Use a different power strip or connect the subwoofer directly to the wall socket. It may also help to insert the mains plug in the socket the other way around.
Playback is noisy.	Generally speaking, the Concept C is a very low-noise system. In most cases, speaker systems with excellent resolution in the high range area expose the poor quality of a signal source (e.g. from MP3 files).	Make sure that the external player emits a clear signal to the Concept C.

## Technical Data

---

Max. power consumption:	400 W
Operating voltage:	230 V~, 50 Hz
Dimensions (W x H x D):	31.5 x 34 x 32 cm
Net weight:	12 kg without satellite speakers 13.6 kg including satellite speakers

Further technical data can be found on our website.

No responsibility is assumed for the correctness of this information. Technical changes, typographical errors and other errors reserved.

## Declaration of Conformity

---



Lautsprecher Teufel GmbH declares that this product complies with Directive 2014/53/EU. The full text of the EU Declaration of Conformity can be found at this web address:

[www.teufel.de/konformitaetserklaerungen](http://www.teufel.de/konformitaetserklaerungen)

[www.teufelaudio.com/declaration-of-conformity](http://www.teufelaudio.com/declaration-of-conformity)

The following radio frequency bands and radio transmitters are used in this product:

Radio network	Frequency bands in Mhz	Transmitter power mW/dBm
Bluetooth® (Nordic)	2400–2483.5	2.5/4



# Disposal

## Important information in accordance with the Electrical and Electronic Equipment Act (Germany: ElektroG)

We advise owners of electrical and electronic appliances that old electrical and electronic devices must be handed in separately from municipal waste, in accordance with the applicable regulations. Batteries and rechargeable batteries that are not firmly enclosed in old electrical devices and lamps, and that can be removed from the old device without destroying them, must be separated from them in a non-destructive manner before they are handed to the collection point for their intended disposal. Please take note of our information on the Batteries Act [Germany: BattG] below for disposing of batteries.

You make an important contribution to returning, recycling and further processing of old devices if you separate your old devices into the correct collection groups for recycling.

The symbol below of a crossed-out dustbin, applied to electrical and electronic appliances, also advises of the duty to separate collections:



Consumer electronics stores and supermarkets are obliged, under certain conditions, to take back old electrical and electronic devices, in accordance with section 17 of the Electrical and Electronic Equipment Act. Stationary retailers must take back an old electrical device of the same type when a new electrical device is bought (1:1 return). This also applies to home deliveries. These retailers must also take back up to three small old electrical devices ( $\leq 25\text{cm}$ ) without this being linked to a new purchase (0:1 return).

In accordance with the Electrical and Electronic Equipment Act, as online retailers of electrical devices and due to our product range, our obligation is limited to 1:1 return of large devices of  $> 50\text{ cm}$  when selling a new electrical or electronic device of the same type. We comply with the obligation of return of devices other than large devices through our service provider. You can find the exact contact data and collection points on our website [www.Teufel.de/entsorgung](http://www.Teufel.de/entsorgung). It is also possible to return old electrical and electronic appliances free of

charge at an official delivery point run by the public waste disposal authorities.

**Important:** For safety reasons we ask that you refrain from sending lighting fixtures (some lamps). For return of lighting fixtures please use the public waste disposal collection points or contact us directly at [www.Teufel.de/entsorgung](http://www.Teufel.de/entsorgung).

As an end-user, you are responsible for deleting any personal data on old electrical appliances before handing it in.

**Important:** Our appliances can contain batteries/rechargeable batteries. If this is the case, please refer to its attached product documentation for additional information on the type and chemical make-up of the battery. For products with battery compartments you can directly remove the batteries or rechargeable batteries and dispose of them properly. If the batteries are built in to the product, do not in any case attempt to remove the batteries yourself, instead contact one of our employees or appropriate specialist staff.

## Important information about the Batteries Act (Germany: BattG)

Batteries and rechargeable batteries must not be disposed on in household waste.

Old batteries can contain toxic substances that could damage the environment or your health if not stored or disposed of properly. This applies especially to improper handling of batteries containing lithium.

However, batteries also contain important raw materials such as iron, zinc, manganese and nickel and these can be reused. Separate collection enables recycling of these raw materials and avoids any negative impact on the environment or human health due to toxic substances being released.



The crossed-out dustbin symbol means that you should not dispose of old batteries and rechargeable batteries in household waste. In addition, you, as the end-user, are legally obliged to return old batteries.

You can hand in batteries and rechargeable batteries free of charge at an official return point such as any public waste disposal collection point. You can also hand in old batteries, that we stock or have

stocked as new batteries, at one of our Teufel stores or at one of our dispatch warehouses. However, if you send them to our dispatch warehouses we would like to point out the dangerous goods regulations of the dispatch provider you opt for and ask you not send batteries to us by post. You can get the addresses of our dispatch warehouses from our customer service.

Due to existing legal regulations, the battery manufacturer must use the following symbols with the following meanings when marking the batteries.

Hg: the battery contains more than 0.0005 mass percent of mercury

Pb: the battery contains more than 0.004 mass percent of lead

Cd: the battery contains more than 0.002 mass percent of cadmium

Otherwise, to avoid waste and littering, batteries with a long service life or rechargeable batteries should be used. Exchangeable rechargeable batteries enable long service for electrical and electronic appliances and thus devices and rechargeable batteries can be prepared for recycling (e.g. regenerating/exchanging rechargeable batteries).

Further information on preventing waste for consumers can, however, be found in the Federal waste prevention programme with the participation of the Federal states.



# Teufel

Please contact our customer service department with any questions, suggestions, or complaints:

**Lautsprecher Teufel  
GmbH**

BIKINI Berlin  
Budapester Str. 44  
10787 Berlin (Germany)  
[www.teufelaudio.com](http://www.teufelaudio.com)

Phone.: 00800 200 300 40 (toll-free)  
Fax: +49 (0)30 - 300 930 930  
Service: [www.teufelaudio.com/service](http://www.teufelaudio.com/service)  
Contact: [www.teufelaudio.com/contact](http://www.teufelaudio.com/contact)

No responsibility is assumed for  
the correctness of this information.  
Technical changes, typographical  
errors and other errors reserved.