

## Technical description and operating instructions



# Concept C 300 WL

The 2.1 set with USB soundcard and wireless transmission from the PC

**Teufel**

# Contents

---

<b>General instructions and information.....</b>	<b>3</b>
Notice .....	3
Original packaging.....	3
Complaints.....	3
Contact .....	3
Warranty conditions.....	3
Returns .....	3
Proper use.....	3
<b>Safety notes .....</b>	<b>4</b>
Signal symbols .....	4
Safety notes .....	4
<b>Overview .....</b>	<b>6</b>
Check to be sure.....	6
<b>Controls and connections .....</b>	<b>7</b>
<b>Setup and connection .....</b>	<b>8</b>
Setup location .....	8
Connecting the satellites 8	
RCA input .....	9
USB soundcard with wireless transmission.....	9
Inserting batteries .....	9
Connecting to a power supply.....	10
<b>Basic functions.....</b>	<b>10</b>
Activating and deactivating .....	10
Selecting a source.....	10
Adjusting the volume .....	10
Adjusting the bass level 10	
<b>Care and cleaning .....</b>	<b>11</b>
<b>Troubleshooting.....</b>	<b>11</b>
<b>Protecting the environment .....</b>	<b>12</b>
Batteries and rechargeable batteries.....	12
Disposal of the unit.....	12
<b>Technical data .....</b>	<b>12</b>

## General notes and information

### Notice

The information in this document may be changed without prior notice and in no way constitutes any liability on the part of Lautsprecher Teufel GmbH.

No part of these instructions may be reproduced in any form or be broadcasted in any way electronically, mechanically, by photocopy or recording without the written permission of Lautsprecher Teufel GmbH.

© Lautsprecher Teufel GmbH  
Version 1.0  
April 2009

### Original packaging

In case you choose to take advantage of the eight week right of return you must keep the packaging. We can only accept loudspeaker returns WITH THE ORIGINAL PACKAGING.

Empty boxes are not available!

### Complaints

In case of complaint we will need the following information to process your enquiry:

#### 1. Invoice number

Can be found on the sales slip (enclosed with the product) or on the order confirmation received as a PDF document, e. g. 4322543

#### 2. Serial number and/or batch number

Can be found on the rear of the unit,  
e. g. Batch No: CO 04007480121A

Many thanks for your support!

### Contact

For questions, suggestions or any other issues please contact our customer service department:

Lautsprecher Teufel GmbH  
Gewerbehof Buelowbogen · Buelowstrasse 66  
10783 Berlin (Germany)

**Tel.: 00800 - 200 300 40 (free of charge)**

**Fax: +49 (0)30 - 300 930 930**

**www.teufelaudio.com**

### Warranty conditions

12 year warranty for loudspeakers and 2 year warranty for amplifiers and electronics from date of purchase.

Covers materials and workmanship, excludes damage caused by improper use or electrical or mechanical overload. Proof of warranty is the original of our invoice. This warranty applies solely to loudspeakers, amplifiers and electronics purchased from Teufel by an end user for private use. The warranty is not valid for loudspeakers,

amplifiers and electronics which pass to an end user via a third party merchant. In the case of a private re-sale of Teufel products the warranty may be transferred to the purchaser as long as the original proof of purchase is also passed on to the purchaser.

### Returns

Teufel provides the right to exchange or return within eight weeks with refund of the purchase price paid. Return of individual components sold as a package is only possible if these components are also sold individually by Lautsprecher Teufel. In the case of the return of one or more individual components the package price reduction offered by Lautsprecher Teufel on all components in a package no longer applies. The amount refunded to the customer for the components returned will therefore only be the difference between the package price and the purchase price of the individual parts. The economic result for the customer is that it is as if he/she had originally bought the remaining components at their individual prices.

Further information on the subject of returns may be found on the back of the returns form enclosed with the order or online in the support area of our website [www.teufelaudio.com](http://www.teufelaudio.com)

**If you need to return your goods please do not act without first speaking to Lautsprecher Teufel.**

**We can only process or accept your returns if you give us prior notification by telephone and discuss how to proceed!**

### Proper use

Only use the unit as described in these instructions. Any other use will be deemed as not in accordance with the instructions and may lead to damage to property or even persons. The manufacturer accepts no liability for damage caused by use not in accordance with the instructions.

The unit is intended for private use.



Before operating the unit for the first time please read the safety notes and operating instructions carefully. This is the only way to use all functions safely and reliably.

Keep the operating instructions safe and pass them on to anyone who may own the unit after you.

## Safety notes

### Signal symbols

You will find the following signal symbols in these instructions:



#### **Danger High risk!**

Failure to observe the warning may result in injury or death.



#### **Attention Moderate risk!**

Failure to observe the warning may result in damage to property.



#### **Minor risk!**

Points to observe when handling the unit.

### Safety notes



#### **Danger Risk of electric shock!**

Faulty electrical installation or excess mains voltage may result in an electric shock.

- The unit is only suitable for mains voltage of 220V–240V~/50Hz.
- If the unit's case or mains cable is defective or shows other signs of visible damage, disconnect it immediately from the power supply and do not operate it.
- If the unit emits smoke or smells of burning or other unusual odours, disconnect it immediately from the power supply and do not operate it.
- The standby button does not disconnect the unit from the power supply. Plug the unit into an easily accessible socket so that it can be quickly disconnected in case of a fault.
- Never open the unit case.  
Repairs may only be carried out by an authorised specialist workshop. Only use parts which conform with the original unit specifications. There are electrical and mechanical parts in this unit which are essential in order to avoid exposure to sources of danger.
- Do not insert any object through the vent slots in the case.
- Only use the unit in indoor areas.
- Do not operate the unit in damp areas and protect it from drops of water or splash water.  
Also take care not to stand vases or other containers of liquid on or near the unit in order to avoid liquid getting into the case. If water or other foreign bodies should enter the case, disconnect it immediately from the mains power supply and remove any batteries. Send the unit to our service address.
- Never touch the plug with damp hands.
- Check the unit regularly for damage.

#### **Danger**

#### **Danger to children!**



Children can become trapped in the packing film when playing and suffocate.

- Do not allow children to play with the unit or the packing film. Danger of suffocation.
- Ensure that children do not remove small parts from the unit (e. g. remote control battery, buttons or plug adapters). They could swallow the parts and choke. If a battery is swallowed, take the child to a doctor immediately.
- Never allow children to operate electrical devices unsupervised.

#### **Danger**

#### **Danger to hearing!**



Loud noise may lead to hearing loss.

Particularly when a subwoofer is activated and has been set to maximum volume, very high noise pressure may be produced. This may also have psychological consequences as well as cause physical injury. Children and pets are particularly at risk.

- Set your signal source unit volume control to a low setting.
- When the volume is set high, always keep a certain distance from the unit and never place your ear directly on the speaker.
- To avoid damage to health, avoid extended listening at high volume.

#### **Danger**

#### **Danger of chemical burns!**



Leaking battery acid may lead to chemical burns.

- Do not allow battery acid to come into contact with skin, eyes or mucus membranes. In case of contact with acid rinse the affected part immediately with plenty of plain water and if necessary see a doctor.

#### **Danger**

#### **Danger of explosion!**



Lithium batteries can explode if handled improperly.

- Never attempt to recharge lithium batteries.
- Only use batteries of the same or equivalent type.
- Do not heat or short circuit batteries or rechargeable batteries and do not dispose them of by burning. Do not leave batteries or rechargeable batteries in direct sunlight.

---

**Danger Danger of injury/damage!**

- Incorrect location may result in damage.
- Never use the unit unsecured in a vehicle, on an unstable surface, on wobbly stands or furniture, with undersized wall fixings etc. The speakers could fall down or fall over and be damaged or cause injury.
  - Place the speakers in such a way that they cannot be knocked over unseen and make sure that the cables do not pose a trip hazard.
  - Ensure that wall mounting is carried out by a professional.
  - Do not place the unit near sources of heat (e. g. heaters, ovens, other heat generating equipment such as amplifiers etc.)
- 

---

**Attention Fire hazard!**

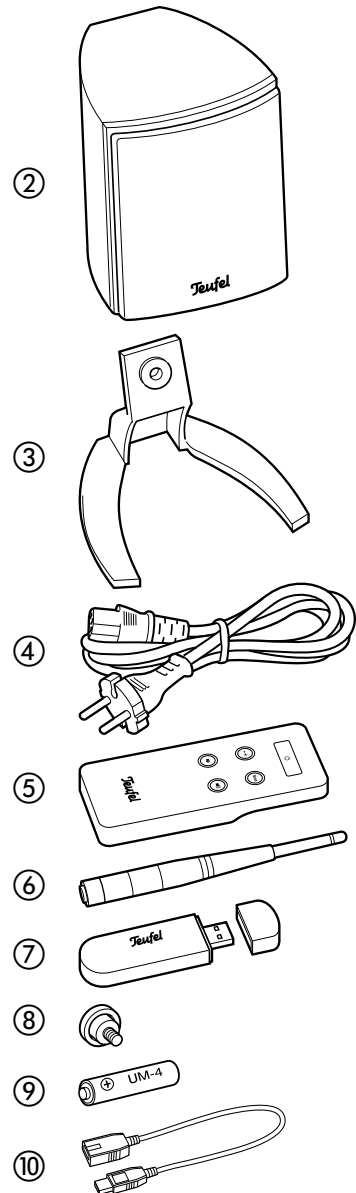
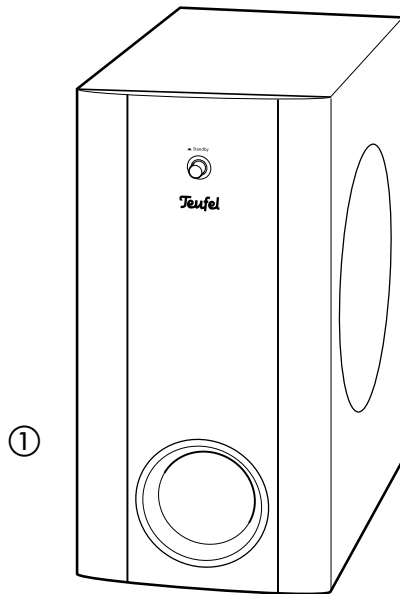
- Improper use may lead to damage or fire.
- Do not place open flames such as burning candles or similar on the unit.
  - Ensure sufficient ventilation.
  - Do not place the unit in direct sunlight.
  - Do not cover the ventilation slots with curtains, cloths, newspapers or similar. Heat build-up inside the unit can shorten the lifetime of the unit.
- 

---

**Attention Risk of damage!**

- Power overload due to lightning strike may damage or destroy the unit.
- If the unit is to be left unsupervised for a long period (e. g. during a holiday), or if a thunderstorm is forecast, disconnect it from the mains power supply.
  - Leaked batteries may damage the remote control.
  - In case of prolonged absence remove the batteries from the remote control.
-

## Overview



### Product Contents

- ① 1 x subwoofer
- ② 2 x satellite speaker
- ③ 2 x table stand for satellite
- ④ 1 x mains cord
- ⑤ 1 x remote control
- ⑥ 1 x antenna
- ⑦ 1 x USB transmitter
- ⑧ 2 x screw for table stand
- ⑨ 3 x battery Micro/AAA for remote control
- ⑩ 1 x USB extension cord

### Check to be sure

- Check that all items have been delivered and that nothing is damaged.
- If the delivery is incomplete or you find damage sustained in transit, do not operate the unit but contact our service department (see page 3).

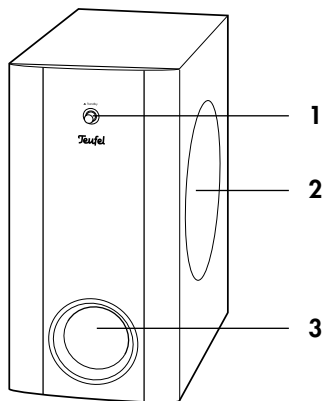


### Speaker cord

Based on differing customer requirements, the Concept C series is shipped without a connector cable for the satellite speakers. You can e. g. find suitable cables in our webshop ([www.teufelaudio.com](http://www.teufelaudio.com)) in the "Accessories" area. You can also purchase extra stands for your satellite speakers there as well as other accessories.

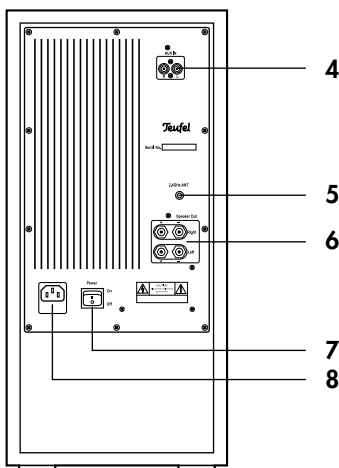
# Controls and connections

Front



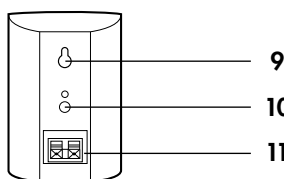
Pos	Name	Description
1	Standby	Switch the unit on or to standby mode
2	-	Bass speaker
3	-	Reflex opening

Back



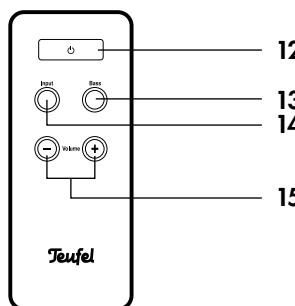
Pos	Name	Description
4	AUX IN	RCA jacks for connecting to an audio source
5	2.4 GHz ANT	Connector jack for antenna <b>f</b>
6	SPEAKER OUT	Connector jacks for satellite speakers <b>b</b>
7	Power	Mains switch
8	-	Connector jack for mains cord <b>d</b>

Satellites



Pos	Name	Description
9	-	Opening for wall mounting
10	-	Threaded bushing for table stand <b>c</b>
11	-	Connector jacks

Remote control



Pos	Name	Description
12	⏻	Switch the unit on or to standby mode
13	Bass	Adjust the bass level
14	Input	Select input signal between the wireless transmission and cord
15	+/-	Increase (+)/decrease (-) volume

## Setup and connection

### Setup location

- Preferably, the room, where you plan to use a **Concept C 300 WL**, should not be larger than 25 sqm.
- Select a stable, level base.
- Make sure that the environment is clean and free from dust.
- Avoid placing the unit close to sources of heat or in direct sunlight.
- Arrange the connecting cables so that they do not pose a trip hazard.
- Do not place any heavy objects on top of the cables or units.

### Subwoofer

In general, you can position the subwoofer anywhere on the floor in the room. Positioning the subwoofer between the two front satellites is often beneficial. However, it is not absolutely necessary that it be situated between the satellite speakers as our ears are not capable of directly locating the source of bass tones.

There should be at least 30 cm of space in front of the bass speaker **2** and the reflex opening **3** as considerable air movement is produced around these openings at higher volumes.

### Satellite speakers

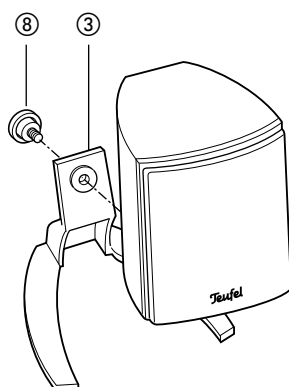
For the best possible sound quality, you should

- set up the left and right speaker at equal distances from your preferred sitting position;
- set up the speakers at ear level;
- position the speakers on a shelf so that their front panel is flush with the front edge of the shelf;
- do not cover the speakers with fabrics or objects.

You can set up the satellite speakers using the stands included in the product contents or mount them directly on the wall.

### Table stand assembly

Insert the screw **8** through the top hole of the table stand **3** and turn the screw into the threaded bushing **10** on the back of the speaker. Do not over tighten the screw. The connectors of the speaker cord are now covered by the table stand – to connect them later on, loosen the screw somewhat and turn the table stand to the side.



### Wall mounting

You will need the following materials for wall mounting:

- one screw for each speaker, 4x40 mm (screw head =  $\varnothing$  9 mm)
- for rock walls, one dowel for each speaker ( $\varnothing$  5 mm)

#### **Danger** Danger of damage and electric shock!



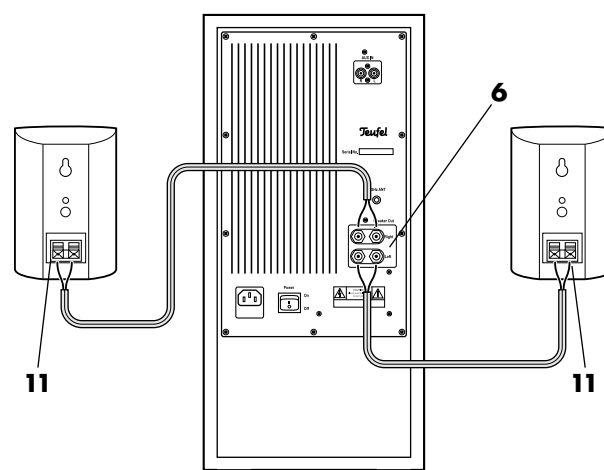
Proceed with care when mounting the unit on the wall and follow the instructions below.

- The **speakers may** only be mounted on the wall by properly qualified persons.
- The unit may only be mounted on a suitable, solid wall. If mounting on plasterboard walls special dowels or fixings may be required. Seek the advice of an expert.
- Ensure that no cords or pipes are located at the desired mounting point. Before drilling and tightening the screws, check the applicable areas with a metal detector.

Drive the screw into the wall and hang the speaker with the mounting hole **9** on the screw.

### Connecting the satellites

To connect the satellite speakers, use high-quality, two-core speaker cable with a diameter of at least 1.5 mm<sup>2</sup> and if possible, a banana plug for the subwoofer. You can order them both as a set in our webshop ([www.teufelaudio.com](http://www.teufelaudio.com)) in the "Accessories" area.



The connector terminals **6** "SPEAKER OUT" for the right ("Right") and left ("Left") speakers are located on the back of the subwoofer.

The connector terminals **11** are located on the back of the satellite speakers.

The terminals are marked in red (+) and black (-) respectively.





### Observe the correct polarity!

Connect the like-coloured terminals with one another. Otherwise, the sound quality will suffer. The cores of the speaker cable are marked with different colours or shapes.

Split the cables down to approximately 30 mm on both ends and strip approximately 10 mm of insulation on the respective cores. Twist the cables so that no cores are protruding.

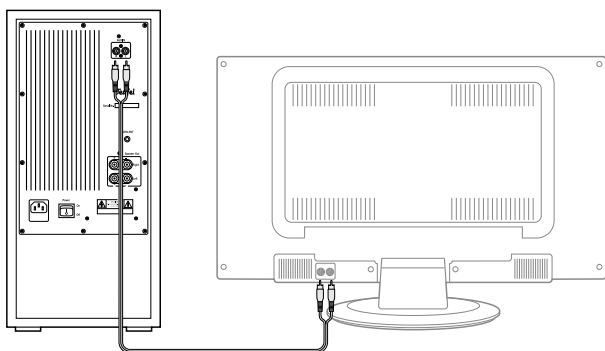
Push down the lever for the connector terminal **11** on the satellites and insert the stripped cable end into the opening below the respective connector terminal. The cable is clamped in place when the lever is released.

If you use banana plugs, screw the cord into place on the plug (see instructions for the banana plug) and insert the plug into the jack of the connector terminal **6** on the subwoofer.

If you don't use any banana plugs, turn the connector terminal **6** counterclockwise. Insert the stripped cable end into the hole that is now visible. Turn the terminal clockwise. This will clamp the cable in place.

### RCA input

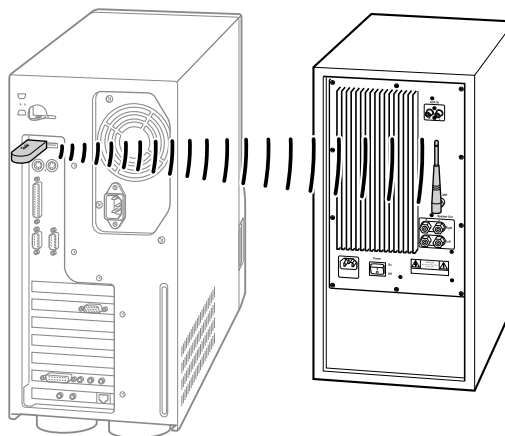
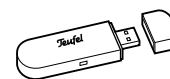
You can connect almost any audio source to the RCA jacks **4** "AUX IN" such as a computer, MP3 player (with/without dock), video game system, television etc. The source device only needs an output with line level. Such outputs are configured either as stereo RCA jacks or as a 3.5 mm jack plug. Connect such devices to the jacks **4** "AUX IN" using a corresponding connector cable. You can purchase such cables in our webshop ([www.teufelaudio.com](http://www.teufelaudio.com)) in the "Accessories" area.



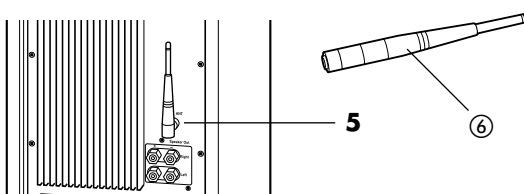
### USB soundcard with wireless transmission

The enclosed USB sound card **7** can be used under Windows XP, Windows Vista and Mac OS X without having to install any drivers.

The range of the wireless transmission amounts to approximately 20 meters; walls and furnishings may reduce the range.



To use the soundcard, screw the antenna **6** onto the jack **5** "2.4 GHz ANT".



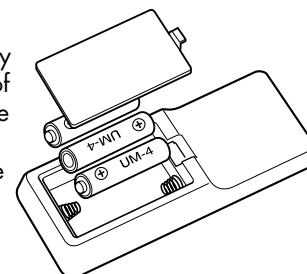
After connecting to a USB port on a computer, the soundcard is available in the sound output control as a "Wireless Player".

### Inserting batteries

The wireless remote control **e** is powered by 3 type Micro/AAA batteries. They are part of the product contents.

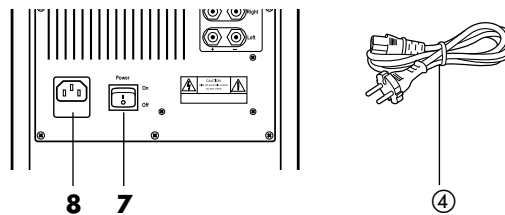
In order to insert and/or change the batteries, push down the clip on the battery compartment on the back of the remote control, open the compartment and remove the cover. If necessary, take out the empty batteries (please observe the notes on page 12).

Insert the batteries in the battery compartment as shown in the figure. Put the cover back on the compartment and push it closed.



## Connecting to a power supply

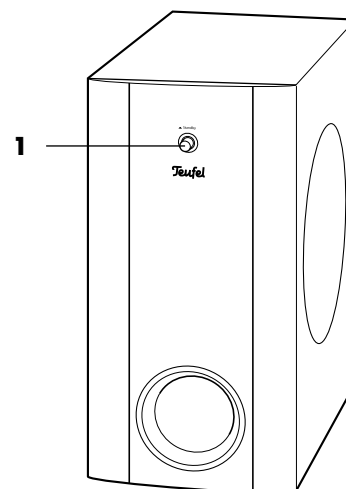
- Ensure that the mains switch **7** "Power" has been turned off ("0 OFF" setting).
- Connect the mains connector jack **8** with a power supply socket via the mains cord **④**.



## Basic functions

### Activating and deactivating

- Using the mains switch **7**, you can activate or deactivate your Concept C 300 WL. After activation, your device is in standby mode and LED **1** "Standby" is red.
- With the button **1** "Standby" or **12**, you can switch your **Concept C 300 WL** to operating and/or standby mode (Standby). In the operating mode, the LED **1** "Standby" is blue.



### Selecting a source

After activation, the USB sound card is activated as a source.

- Using the button **14** "Input", you can switch the source between the USB sound card and RCA jacks. When you switch, the LED **1** "Standby" is purple briefly.

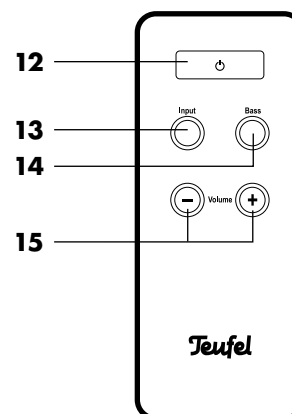
### Adjusting the volume

- Increase the volume: Press the button **15** +.
- Decrease the volume: Press the button **15** -.

### Adjusting the bass level

You can adjust the volume of the subwoofer separately.

1. Press the button **13** "Bass".  
The LED **1** "Standby" is purple.
2. Adjust the base level as you like using the buttons **15** + / -.
3. Press the button **13** "Bass".  
The LED **1** "Standby" is again blue. If no button is pressed for six seconds, the device will also switch to normal operation.



## Care an cleaning

Clean your **Concept C 300 WL** regularly with a soft, slightly damp microfibre cloth. Please be absolutely sure to observe the following:

### Danger Risk of electric shock!



In contact with live parts water can lead to electric shock or short circuit.

- Ensure that no water gets into the unit.
- Disconnect the device from the mains power supply before cleaning.

### Attention Risk of damage!

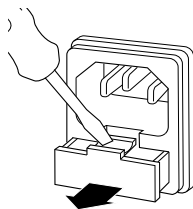

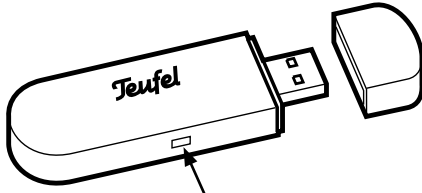


Using the wrong cleaning materials may damage the delicate surface of the case.

- If possible use only plain water with no cleaning products. In case of stubborn marks a mild soap solution may be used.
- In no circumstances should caustic cleaning products, white spirit, thinners, petrol or similar be used for cleaning.

## Troubleshooting

The following advice should help you to solve problems. If this is not the case please contact our hotline (see page 3). Take note of the warranty instructions.

Problem	Possible cause	Solution
The unit produces no sound.	Wrong source selected.	Select the correct source (see page 10)
	Volume is set to »0 «.	Increase the volume.
	Fuse defective.	Replace the fuse: Disconnect the mains cord, carefully take out the fuse holder on the mains connector jack <b>8</b> . Insert a new fuse (3.15 A), close the holder. 
Subwoofer buzzes.	The buzzing is caused by problems with the power supply.	Purchase a line filter and connect it to the device.
	The buzzing is caused by a multi-way socket.	Use another multi-way socket or plug the subwoofer directly into the wall socket. In the case of two-pin plugs it may help to insert the plug into the socket the other way up.
Playback is noisy.	The <b>Concept C 300 WL</b> is a very low-noise system. What often happens is that the speaker system which is excellent in the treble range exposes the poor quality of a signal source (e. g. from MP3 files).	Make sure that the signal being sent from the source to the <b>Concept C 300 WL</b> is free from faults.
No playback via USB soundcard.	Pairing failed.	The USB soundcard must be connected with the computer and the <b>Concept C 300 WL</b> must be activated. Now press the button <b>12</b>  on the remote control and the small button on the USB soundcard (see arrow) at the same time for 10 seconds. 

## Protecting the environment

### Batteries and rechargeable batteries



#### Do not dispose of batteries or rechargeable batteries in household waste!

Every consumer is required by law to dispose of batteries and rechargeable batteries, whether they contain hazardous materials\*) or not, at a local authority or in-store collection point so that they can be disposed of in a manner which is not dangerous to the environment.

Please only deposit batteries and rechargeable batteries which are completely spent.

\*) identified with the following symbols: Cd = cadmium, Hg = mercury, Pb = lead

### Disposal of the unit



#### Old appliances may not be disposed of in the household waste!

Should the appliance no longer be capable of being used, then every consumer is required by law to dispose of old appliances separately from their household waste e. g. at a local authority collection point. This ensures that old appliances are recycled in a professional manner and that negative consequences for the environment are prevented.

Electrical devices are identified with the symbol shown on the right.

## Technical data

Frequency response:	20 Hz–20 KHz (48 K)/20 Hz–22 KHz (96 K)
Distortion factor:	< 1 %
Signal to noise ratio:	> 80 dB
Power consumption, max:	400 W
Operating voltage:	220–240 V~, 50/60 Hz
Recommended room size:	maximum 25 sqm

Outputs: 2x satellites

Inputs: stereo inputs (L/R)  
USB soundcard with wireless transmission

Wireless transmission  
Range approximately: 2.4 GHz, PCM  
20 m

### Subwoofer

Construction form: bassreflex  
Chassis: 25.4 cm (10 inch)  
Frequency response: 36 Hz (-3 db)  
RMS output power: 1 x 140 W 4 Ohm with distortion factor 1 %  
2 x 30 W 4 Ohm with distortion factor 1 %  
Dimensions (W x H x D): 247 x 500 x 430 mm  
Net weight: 17.6 kg

### Satellites

Frequency response: 180 Hz (-3 db)  
Dimensions (W x H x D): 90 x 125 x 98 mm  
Net weight: 530 g



This product conforms with Council of the European Union directives 1999/5/EC and 2006/95/EC

# Teufel

For questions, suggestions or other issues please contact our customer service department:

**Lautsprecher Teufel GmbH**  
Gewerbehof Buelowbogen - Aufgang D1  
10783 Berlin (Germany), Buelowstr. 66

Tel.: 00800 200 300 40 (toll-free)  
Fax: +49 (0)30-300 930 930  
[www.teufelaudio.com](http://www.teufelaudio.com)

No liability is accepted for the accuracy of this information. Technical changes, typographical errors and other errors reserved.