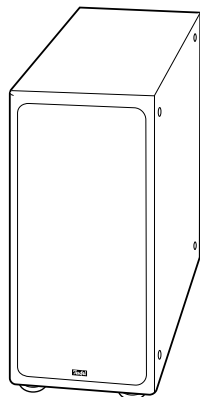


# Technical Description and Operating Instructions



**Active subwoofer  
US 5305/1**

**Teufel**  
... makes you happy

## General notes and information

---

### Proper use

Only use the unit as described in these operating instructions. Any other use will be deemed as not in accordance with the instructions and may lead to damage of property or even persons. The manufacturer accepts no liability for damage caused by use not in accordance with the instructions. The unit is intended for private use.



Before operating the speakers please read the safety notes and operating instructions carefully. This is the only way to use all functions safely and reliably. Keep the operating instructions safe and pass them on to anyone who may own the unit after you.

### Notice

The information in this document may change without prior notice and in no way constitutes any liability on the part of Lautsprecher Teufel GmbH. No part of these instructions may be reproduced in any form or be broadcasted in any way electronically, mechanically, by photocopy or recording without the written permission of Lautsprecher Teufel GmbH.

### Original packaging

If you wish to exercise your eight-week right of return, we ask that you be absolutely sure to hold onto the packaging. We can only accept the return of a device WITH THE ORIGINAL PACKAGING. Empty boxes are not available!

### Complaints

In case of a complaint we implicitly need your invoice number and the serial or lot number for processing. The serial number can be found on the back side of the device.

Many thanks for your support!

### Contact

For questions, suggestions or criticism please contact our customer service department:

Lautsprecher Teufel GmbH

Gewerbehof Buelowbogen

Buelowstrasse 66

10783 Berlin (Germany)

**Phone 00800 - 200 300 40 (free of charge)**

**Fax: +49 (0)30 / 300 930 930**




**E-mail: [service@teufelaudio.com](mailto:service@teufelaudio.com)**

**[www.teufelaudio.com](http://www.teufelaudio.com)**

# Safety notes

## Caution icons

You will find the following caution icons in these instructions:

-  = **High risk!** Failure to observe the warning may result in severe personal injury or death.
-  = **Moderate risk!** Failure to observe the warning may result in property damage.
-  = **Minor risk!** Points which should be observed when handling the unit.

### **Danger Risk of injury**

An unstable base may cause the unit to tip and injure or even kill persons, children are particularly at risk. You can prevent many accidents by taking the following precautions.

- Only place the subwoofer on the floor.
- If you want to use underframes or speaker stands, only use those recommended by the manufacturer.
- When storing the product, also ensure that it stands safely and that it cannot be knocked down or over.

### **Danger to hearing!**

Loud noise may lead to hearing loss. Very high noise pressure may suddenly be emitted, especially if a subwoofer is activated and set to full volume. This may have psychological consequences and also cause physical injury. Children and pets are particularly at risk.

- Set the volume control of your signal source to a low setting.
- When the volume is set high, always keep a certain distance from the unit and never place your ear directly on the speaker.
- To avoid damage to health, avoid extended listening at high volume.

### **Danger Danger to children!**

Children can become trapped in the packing film when playing and suffocate.

- Do not allow children to play with the unit or the packing film. Danger of suffocation.
- Ensure that children do not remove small parts from the device or pull them off of the device (e.g. the batteries from the remote control, knobs or plug adapters). They could swallow the parts and choke.

### **Danger Danger of injury/damage!**

Setting the device up in an unsuitable location may result in injury to persons and/or damage to property.

- Never use the unit unmounted in vehicles, in unstable locations, on wobbly tripods or furniture, on insufficiently dimensioned brackets etc. The device could tip or fall down and cause injury to persons or be damaged itself.
- Arrange the device so that it cannot be knocked over accidentally and make sure that the cables do not pose a trip hazard.
- Do not place the unit near sources of heat (e.g. heaters, ovens, other heat generating equipment such as amplifiers etc.).

### **Danger Fire hazard!**

Improper use may lead to damage or fire.

- Do not place open flames such as burning candles or similar on the unit.
- Do not place the unit in direct sunlight.

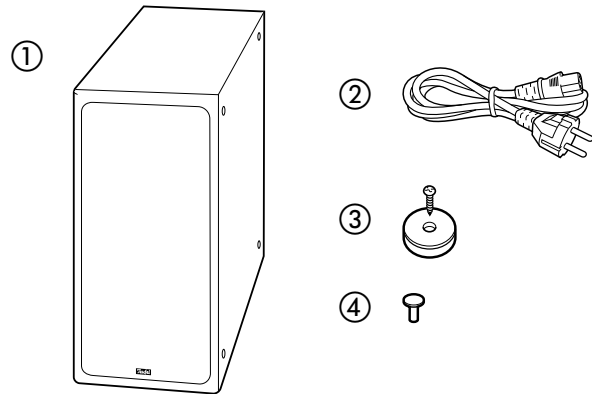
- ① 1 x active subwoofer US 5305/1
- ② 1x power cord
- ③ 4 x speaker stands with screws
- ④ 4 x blind plugs



### Check to be sure

Check that all items have been delivered and that nothing is damaged.

If the delivery is incomplete or you find damage sustained in transit, do not operate the device; instead contact our service department.



# Technical data

Dimensions (WxHxD)	496 x 210 x 500 mm (including speaker stands)
Weight	15.6 kg
Operating voltage:	230 V~/50 Hz
Max. power consumption	500 watts



This product conforms with Council of the European Union guidelines 2004/108/EC and 2006/95/EC.

Technical changes reserved!

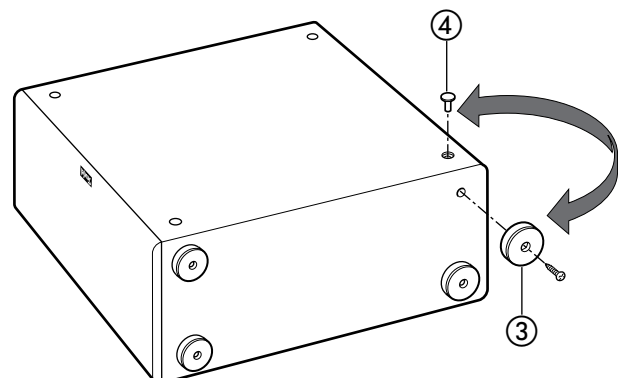
You can find further technical data on our website.

# Preparation

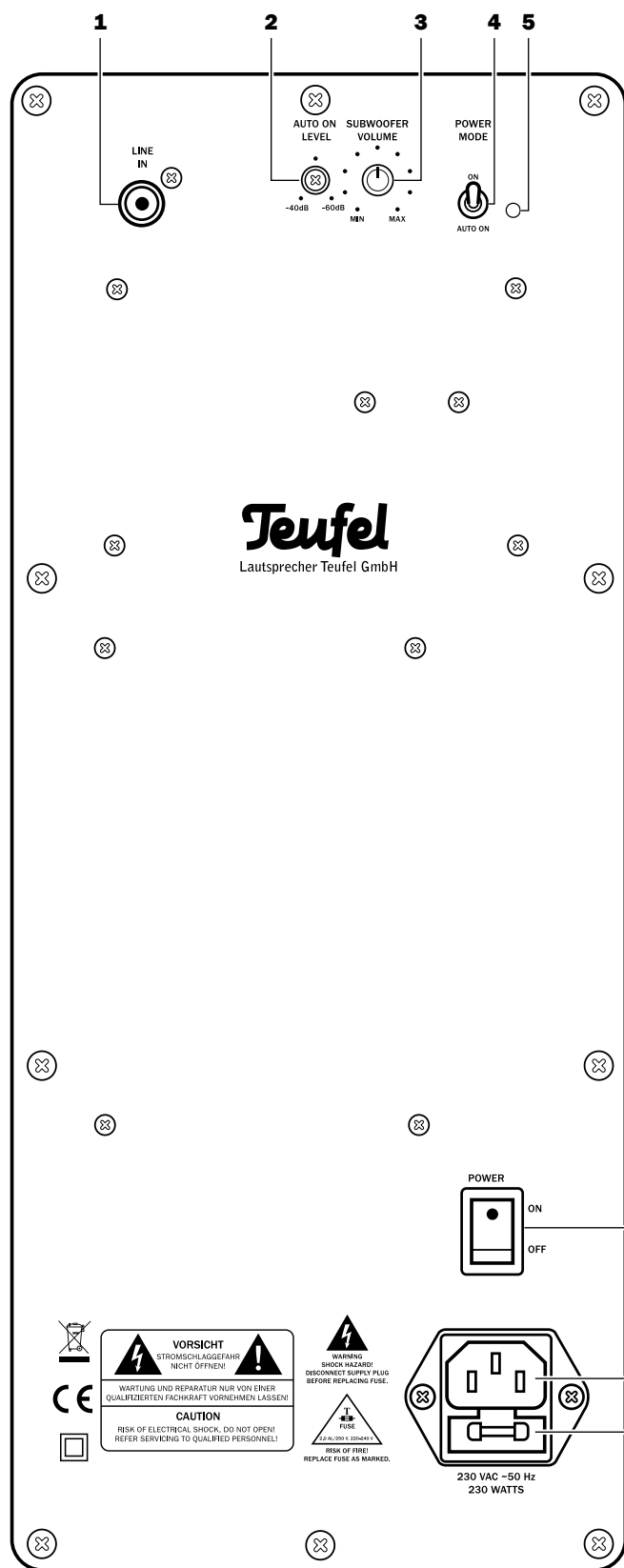
## Mounting the speaker stands

The speaker stands ensure a safe stand of the subwoofer, they minimise vibrations and create sufficient distance to the floor.

1. Depending on whether you want to arrange your subwoofer in a horizontal or vertical position, screw-tighten the 4 speaker stands ③ on the bottom side or on the side wall of the subwoofer using the enclosed screws.
2. Insert the 4 blind plugs ④ in the unused holes.
3. When arranging the subwoofer, make sure that it has a stable position to prevent vibrations.
4. The Teufel logo magnetically adheres to the subwoofer and can easily be removed. Reposition it in case of a lying arrangement.



# Control elements and connections



Item	Name	Description
1	<b>Line In</b>	Audio input jack
2	<b>Auto On Level</b>	Set the sensitivity for automatic activation
3	<b>Subwoofer Volume</b>	Volume control for the subwoofer
4	<b>Power Mode</b>	Automatic activation/deactivation or permanently activated
5		Power LED
6	<b>Power On/Off</b>	Mains switch
7	-	Connection jack for power cord ②
8	-	Fuse holder

## Setup notes

- Select a stable, level base.
- Make sure that the environment is clean and free from dust.
- Avoid placing the unit close to sources of heat or in direct sunlight.
- Arrange the connector cables so that they do not pose a trip hazard.
- Do not place any heavy objects on the cables or the speakers.
- The location of the subwoofer can be freely selected and does not influence the other speakers. However, do not place it in the corner of a room as this may cause uncontrollable frequency overloads. A location between the front speakers is often ideal.

## Connecting

### **Danger** Danger of injury/damage!

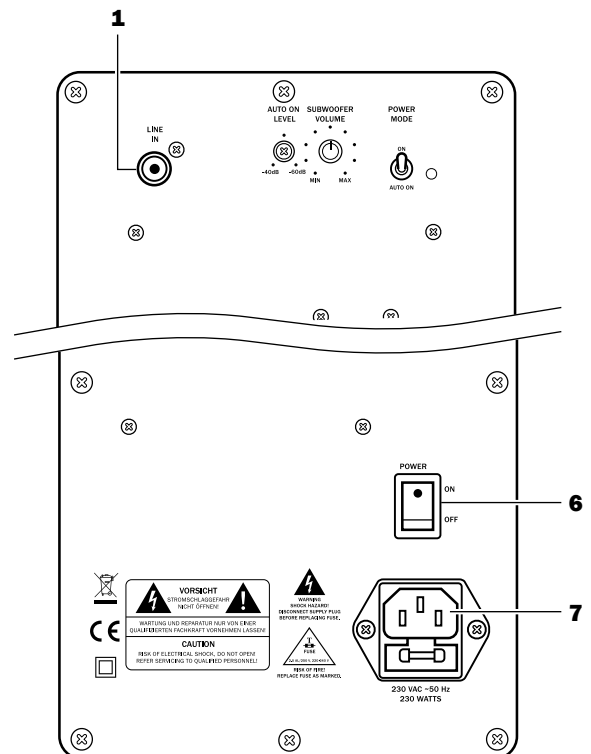
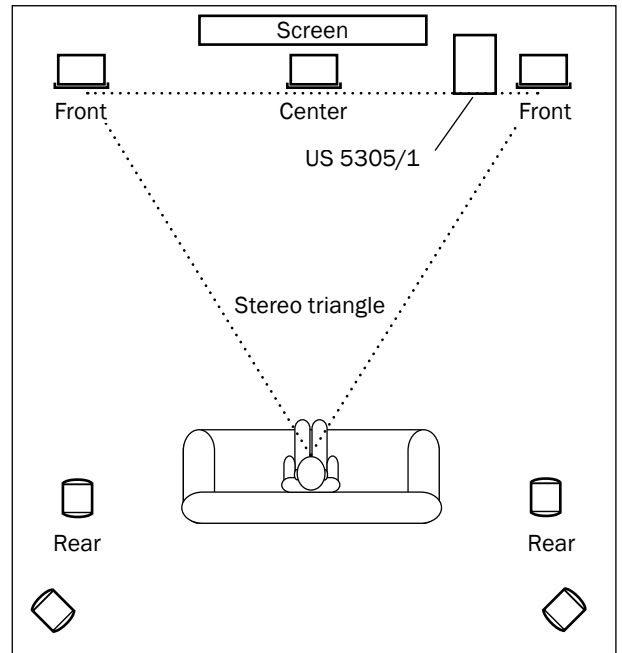


Arrange the cables so that they do not pose a trip hazard.

- Pull the mains plug of your AV receiver out of the socket.
- Ideally, you should connect the subwoofer with the subwoofer output of the AV receiver using an RCA mono cable. The RCA jack **1** "LINE IN" on the back side of the subwoofer is used for this. You can buy the suitable cable in our web shop.
- If your AV receiver does not have a connection for a subwoofer, connect an available speaker outlet with the RCA jack **1** of the subwoofer using a voltage reducer and an RCA cable. We offer voltage reducers on our website in the "Accessories" area.

## Connection to a power supply

- Ensure that the mains switch **6** "Power" on the subwoofer is switched off ("O OFF" position).
- Connect the mains connector jack **7** with a mains socket using the power cord.
- Also plug the mains plug of your AV receiver back into the socket.



# Use

## Activating and deactivating

With the switch **6** "Power" you can turn the power supply on or off. If the subwoofer is activated, the power LED **5** is illuminated in green. In standby mode it is illuminated in red.

## Automatic activation/deactivation

With the switch **4** "Power Mode" you can switch the operating state:

**Auto On:** The subwoofer activates as soon as an audio signal is present on the input jack **1** "Line In". If there is no audio signal for some period of time, the subwoofer switches to standby.

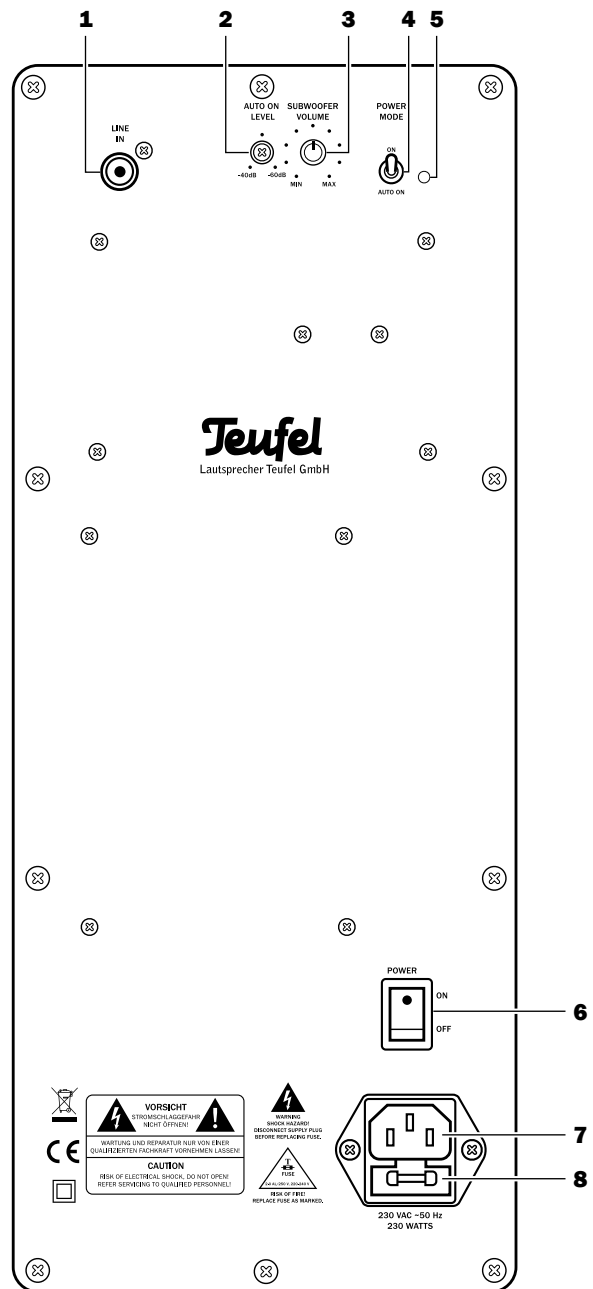
**On:** The subwoofer is continually activated.

## Auto On Level

You can adjust the sensitivity for the activation of the subwoofer with the allen screw "AUTO ON LEVEL" **2**. Turning the screw in a clockwise direction increases the sensitivity of the auto-on function. This means that the subwoofer will already be activated by a very low audio signal.

## Subwoofer volume

With the control "Subwoofer Volume" **3** you can set the volume of the subwoofer.



## Cleaning and care

Clean the subwoofer regularly with a soft, damp microfiber cloth. Please be absolutely sure to observe the following notes in the process:

- If possible, only use plain water without any additives. In case of stubborn marks, a mild soap solution may be used.

### **Danger Risk of electric shock!**



In contact with live parts, water can lead to electric shock or short circuit.

- Make sure that no liquid penetrates the unit.
- Disconnect the mains plug before cleaning.

### **Attention Risk of damage!**

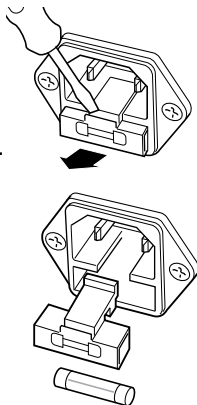


Using the wrong cleaning materials may damage the delicate surface of the case.

If possible, only use plain water without any additives. In case of stubborn marks, a mild soap solution may be used. In no circumstances should caustic cleaning products, white spirit, thinners, petrol or similar be used for cleaning.

## Troubleshooting

The following notes and further detailed **information on our website** should help you to rectify malfunctions. If this does not lead to success, please contact our hotline ☎ 00800 - 200 300 40 (free of charge). Please also observe the warranty notes.

Problem	Possible cause	Solution
The subwoofer isn't working.	The subwoofer is off or doesn't have any power.	Activate the switch <b>6</b> ("On I"). Check the power cord and socket.
	Fuse is defective.	Replace the fuse: 1. Disconnect the power cord. 2. Carefully pull the fuse holder <b>8</b> on the mains connection jack <b>7</b> out. 3. Push the old fuse down and out. Insert a new fuse (2 A time-lag fuse). 4. Close the holder. 
The subwoofer doesn't emit basses.	The switch <b>4</b> "Auto On Level" is set to <b>Auto On</b> but the input signal is too weak.	Increase the input sensitivity by turning the control <b>2</b> "Auto On Level" to the right. Alternatively you can increase the subwoofer level in the setup settings of your AV receiver or you can set the switch <b>4</b> "Auto On Level" to <b>On</b> .
The subwoofer hums.	The subwoofer is connected to another circuit than the rest of the system.	Connect the subwoofer and AV receiver to the same circuit.
	The buzzing is caused by problems with the power supply.	Buy a line filter and connect both devices to it.
	The buzzing is caused by a multiple socket.	Use another multi-outlet power strip or connect the subwoofer directly to the wall socket. It may also help to insert the power plug the other way around.

## Protecting the environment

### Disposal of the unit



#### Used units must not be disposed of with household waste.

If the unit is no longer operational, every consumer is required by law to dispose of used devices separately from household waste, e.g. at a collection point run by the communal authority borough. In this way it is ensured, that used devices are properly recycled and that negative consequences on the environment are avoided. For this reason, electrical equipment is labelled with the displayed symbol.

### Batteries and rechargeable batteries



#### Batteries and rechargeable batteries must not be disposed of with household waste!

Every consumer is required by law to bring all batteries and rechargeable batteries, whether they contain harmful substances\*) or not, to a collection point run by the communal authority or borough or run commercially, so that they can be disposed of in an environmentally friendly manner. Please only hand in fully discharged batteries and rechargeable batteries!

\*) labelled with: Cd = cadmium, Hg = mercury, Pb = lead

**Lautsprecher Teufel GmbH**

Gewerbehof Buelowbogen - Ausgang D1  
Buelowstr. 66, 10783 Berlin (Germany)

**[www.teufelaudio.com](http://www.teufelaudio.com)**

Phone: 00800 - 200 300 40  
(free of charge)  
Fax: +49 (0)30 / 300 930 930

**Teufel**  
**... makes you happy**