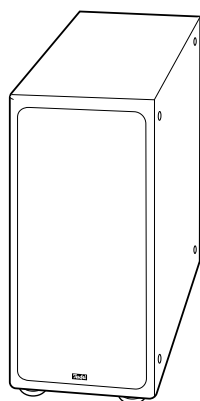


# Technical Description and Operating Instructions



**Active subwoofer  
US 5305/6**

**Teufel**  
... makes you happy

## General notes and information

---

### Proper use

Only use the unit as described in these operating instructions. Any other use will be deemed as not in accordance with the instructions and may lead to damage of property or even persons. The manufacturer accepts no liability for damage caused by use not in accordance with the instructions. The unit is intended for private use.



Before operating the speakers please read the safety notes and operating instructions carefully. This is the only way to use all functions safely and reliably. Keep the operating instructions safe and pass them on to anyone who may own the unit after you.

### Notice

The information in this document may change without prior notice and in no way constitutes any liability on the part of Lautsprecher Teufel GmbH. No part of these instructions may be reproduced in any form or be broadcasted in any way electronically, mechanically, by photocopy or recording without the written permission of Lautsprecher Teufel GmbH.

### Original packaging

If you wish to exercise your eight-week right of return, we ask that you be absolutely sure to hold onto the packaging. We can only accept the return of a device WITH THE ORIGINAL PACKAGING. Empty boxes are not available!

### Complaints

In case of a complaint we implicitly need your invoice number and the serial or lot number for processing. The serial number can be found on the back side of the device.

Many thanks for your support!

### Contact

For questions, suggestions or criticism please contact our customer service department:

Lautsprecher Teufel GmbH  
Gewerbehof Buelowbogen  
Buelowstrasse 66  
10783 Berlin (Germany)

**Phone 00800 - 200 300 40 (free of charge)**

**Fax: +49 (0)30 / 300 930 930**




**E-mail: [service@teufelaudio.com](mailto:service@teufelaudio.com)**

**[www.teufelaudio.com](http://www.teufelaudio.com)**

# Safety notes

## Caution icons

You will find the following caution icons in these instructions:

-  = **High risk!** Failure to observe the warning may result in severe personal injury or death.
-  = **Moderate risk!** Failure to observe the warning may result in property damage.
-  = **Minor risk!** Points which should be observed when handling the unit.

### **Danger Risk of electric shock!**



Faulty installation of electrical equipment or mains voltage which is too high can cause electric shocks.

- The device is only suitable for use with a power supply voltage of 230V ~ / 50Hz. Make sure that the mains voltage is correct. For more information, refer to the nameplate.
- Check the unit regularly for damage. If the unit's case or mains cable is defective or shows other signs of visible damage, disconnect the power plug immediately from the socket and do not operate the device.
- If the unit emits smoke or smells of burning or other unusual odours, disconnect it immediately from the power supply and do not operate it.
- The standby button does not disconnect the unit from the power supply. For this reason, connect it to an easily accessible socket so that you can quickly disconnect it from the power supply in the event of faults.
- Never open the unit's housing. Repairs may only be carried out by an authorised specialist workshop. Only parts which conform with the original unit specifications may be used in this case. There are electrical and mechanical parts in this unit which are necessary in order to avoid exposure to sources of danger.
- Use only accessories specified by the manufacturer.
- Do not insert any objects through the vent slots in the housing.
- Never touch the power plug with damp hands.

### **Danger Danger to children!**



Children can become trapped in the packing film when playing and suffocate.

- Do not allow children to play with the unit or the packing film. Danger of suffocation.
- Ensure that children do not remove small parts from the unit or take them off of the unit (e.g. control knobs or plug adapters). They could swallow the parts and choke. Never allow children to operate electrical devices unsupervised.



### **Danger to hearing**

Loud noise may lead to hearing loss.

Particularly when the subwoofer has been set to maximum volume and the unit is activated, very high noise pressure may suddenly be produced. This may have psychological consequences and also cause physical injury. Children and pets are particularly at risk.

- Set your signal source unit volume control to a low setting.
- When the volume is set high, always keep a certain distance from the unit and never place your ear directly on the speaker.
- To avoid damage to health, avoid extended listening at high volume.

### **Danger Danger of injury/damage!**



Incorrect location may result in damage.

- Never use the subwoofer unmounted in vehicles, in unstable locations, on wobbly stands or furniture, on under-dimensioned brackets etc. The subwoofer could tip or fall down and cause injury to persons or be damaged.
- Place the subwoofer on the ground only.
- Place the speaker in such a way that it cannot be knocked over unseen and make sure that the cables do not pose a trip hazard.
- Do not place the unit near sources of heat (e.g. heaters, ovens, other heat generating equipment such as amplifiers etc.).

### **Attention Fire hazard!**



Improper use may lead to damage or fire.

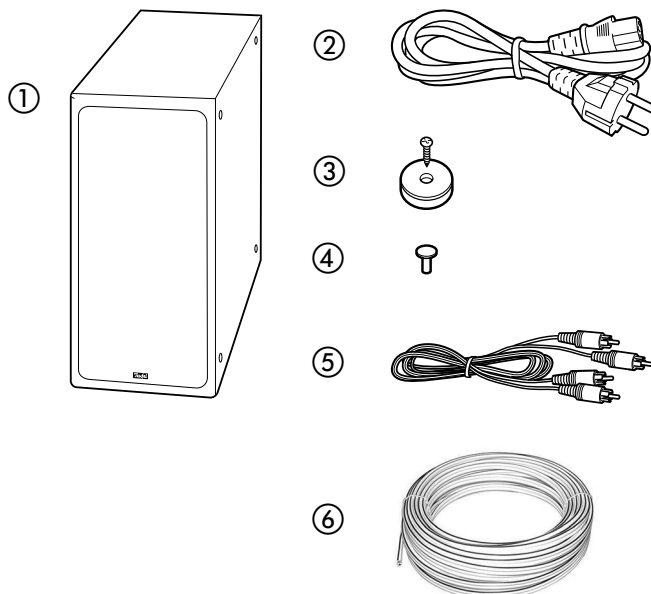
- Do not place open flames such as burning candles or similar on the unit.
- Ensure sufficient ventilation.
- Do not place the unit in direct sunlight.
- Only use the unit in indoor areas.
- Do not operate the unit in moist areas and protect it from drops of water and splash water. Also take care not to stand vases or other containers filled with liquid on or near the unit in order to avoid liquid getting into the housing. If water or other foreign objects penetrate the case, immediately disconnect the power plug. Send the unit to our service address in this case.

## Product contents

- ① 1 x active subwoofer US 5305/6
- ② 1 x power cord
- ③ 4 x stands with screws
- ④ 4 x blind plugs
- ⑤ 3 x stereo cinch cord
- ⑥ speaker cable



Check that all items have been delivered and that nothing is damaged. If you find damage, do not operate the device; instead contact our service department.



## Technical data

Dimensions (WxHxD)	210 x 492 x 500 mm (incl. stands)
Weight	17.6 kg
Operating voltage:	230 V~/50 Hz
Max. power consumption	350 watts



This product conforms with Council of the European Union guidelines 2004/108/EC and 2006/95/EC.

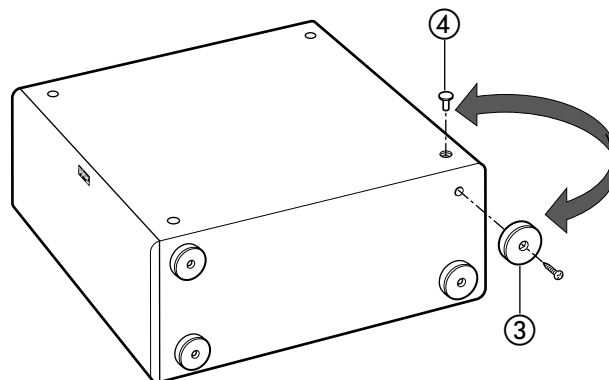
Technical changes reserved!  
You can find further technical data on our website.

## Preparation

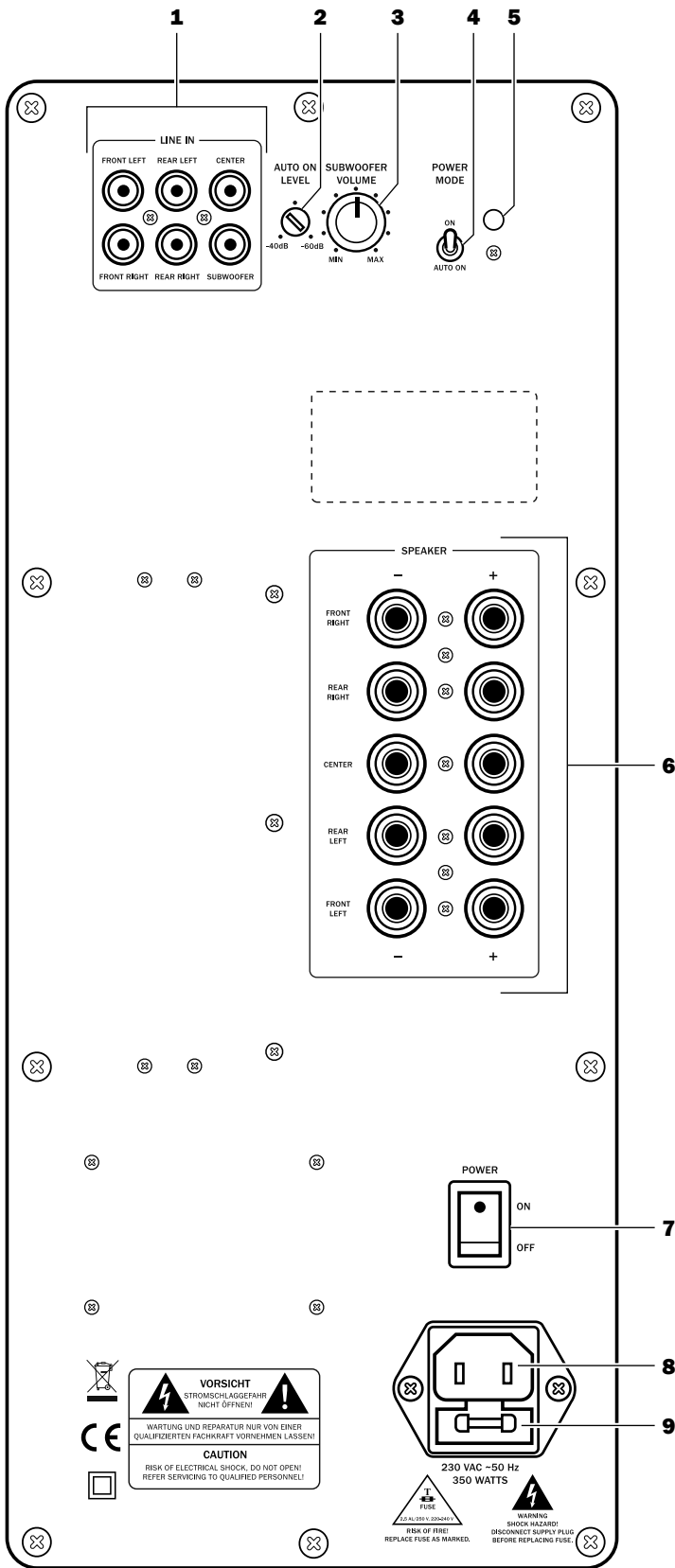
### Mounting the speaker stands

The speaker stands ensure a safe stand of the subwoofer, they minimise vibrations and create sufficient distance to the floor.

1. Depending on whether you want to arrange your subwoofer in a horizontal or vertical position, screw-tighten the 4 speaker stands ③ on the bottom side or on the side wall of the subwoofer using the enclosed screws.
2. Insert the 4 blind plugs ④ in the unused holes.
3. When arranging the subwoofer, make sure that it has a stable position to prevent vibrations.
4. The Teufel logo magnetically adheres to the subwoofer and can easily be removed. Reposition it in case of a lying arrangement.



# Control elements and connections



Item	Name	Description
1	<b>Line In</b>	Analogue 5.1 audio input jacks
2	<b>Auto On Level</b>	Set the sensitivity for automatic activation
3	<b>Subwoofer Volume</b>	Volume control for the subwoofer
4	<b>Power Mode</b>	Automatic activation/deactivation or permanently activated
5	-	Power LED
6	<b>Speaker</b>	Output jacks for satellite speakers
7	<b>Power On/Off</b>	Mains switch
8	-	Connection jack for power cord ②
9	-	Fuse holder

## Setup notes

- Select a stable, level base.
- Make sure that the environment is clean and free from dust.
- Avoid placing the unit close to sources of heat or in direct sunlight.
- Arrange the connector cables so that they do not pose a trip hazard.
- Do not place any heavy objects on the cables or the speakers.
- The location of the subwoofer can be freely selected and does not influence the other speakers. However, do not place it in the corner of a room as this may cause uncontrollable frequency overloads. A location between the front speakers is often ideal.

## Connecting

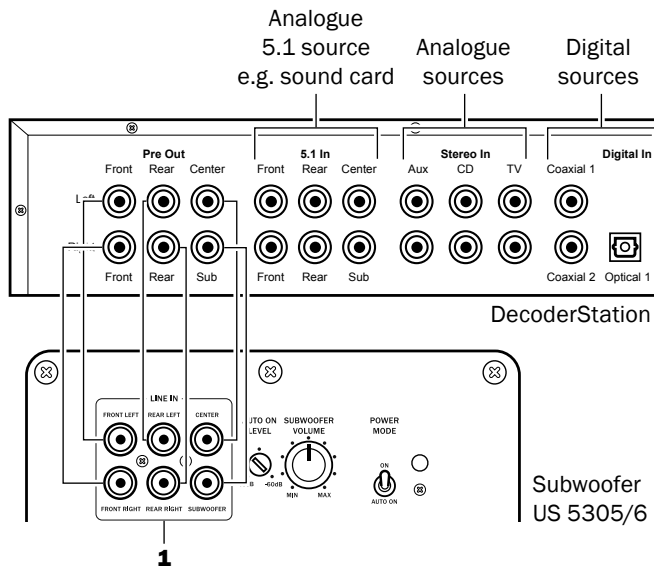
### **Danger** Danger of injury/damage!



Arrange the cables so that they do not pose a trip hazard.

### Subwoofer

1. Pull the power plugs of all devices to be connected out of the socket so that inadvertent switch-on is excluded.



2. Connect the LINE IN jacks **1** of the subwoofer with the 5.1 output jacks of a preamplifier such as a decoder station using the included RCA cable.

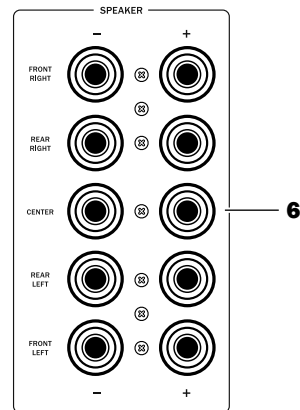
### Satellite speakers



#### Make sure the polarity is correct!

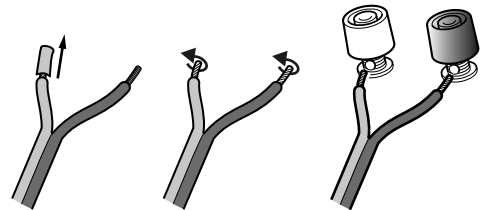
Connect the like coloured terminals. Otherwise the sound quality will suffer.

The strands of the speaker cables are marked with different colours or shapes.



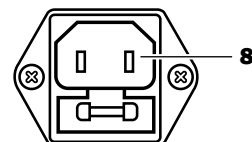
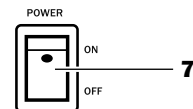
- The terminal **6** for connecting the satellite speakers is located on the back side of the subwoofer.
- Here you can connect the speaker cables directly or with pin plugs. We only describe the direct connection in these instructions.

1. Lay the included speaker cables from your subwoofer to each of the speakers.  
Little hint: Label the cables on the subwoofer side – this will help when taking down and setting up your audio equipment.



2. Split the single wire down to approx. 30 mm on both ends and strip approx. 10 mm of insulation off of each cord.
3. Twist the stripped single wire ends together so that no wire protrudes. Tin coating is not necessary.
4. Turn the connector terminal counterclockwise until loose. Run the stripped cable end into the now visible hole. Close the terminal by turning it counterclockwise. The cable has now been clamped in place.
5. Connect the other cable ends to your satellite speakers. The operating instructions of the speakers should contain notes on this.

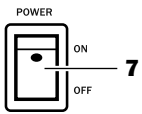
### Connection to the grid



1. Ensure that the mains switch **7** "Power" on the subwoofer is switched off ("OFF" position).
2. Connect the mains connector jack **8** with a mains socket using the power cord **2**.
3. Also plug the mains plug of your AV receiver back into the socket.
4. Turn the mains switch **7** "Power" on the subwoofer to "ON".

# Use

## Activating and deactivating



With the switch **7** “Power” you can turn the power supply on or off. If the subwoofer is activated, the power LED **5** is illuminated in green. In standby mode it is illuminated in red.

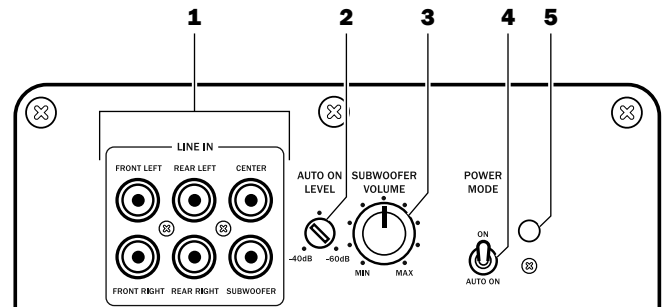
## Auto On Level

You can adjust the sensitivity for the activation of the subwoofer with the control “AUTO ON LEVEL” **2**. Turning the control in a clockwise direction increases the sensitivity of the auto-on function. This means that the subwoofer will already be activated by a very low audio signal.

## Subwoofer volume

With the control “SUBWOOFER VOLUME” **3** you can set the volume of the subwoofer

## Automatic activation/deactivation



With the switch **4** “POWER MODE” you can switch the operating state:

**Auto On:** The subwoofer activates as soon as an audio signal is present on the input jack **1** “LINE IN”. If there is no audio signal for some period of time, the subwoofer switches to standby.

**On:** The subwoofer is continually activated.

## Cleaning and care

Clean the subwoofer regularly with a soft, damp microfiber cloth. If possible, only use plain water without any additives. In case of stubborn marks, a mild soap solution may be used.

Please be absolutely sure to observe the following notes in the process:

### **Danger** Risk of electric shock!



In contact with live parts, water can lead to electric shock or short circuit.

- Make sure that no liquid penetrates the unit.
- Disconnect the mains plug before cleaning.

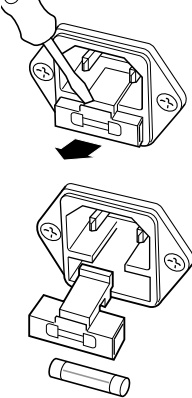
### **Attention** Risk of damage!



Using the wrong cleaning materials may damage the delicate surface of the case.

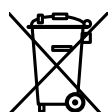
- If possible, only use plain water without any additives. In case of stubborn marks, a mild soap solution may be used.
- In no circumstances should caustic cleaning products, white spirit, thinners, petrol or similar be used for cleaning.

The following notes and further detailed **information on our website** should help you to rectify malfunctions. If this does not lead to success, please contact our hotline ☎ 00800 - 200 300 40 (free of charge). Please also observe the warranty notes.

Problem	Possible cause	Solution
The subwoofer isn't working.	The subwoofer is off or doesn't have any power.	Activate the switch <b>7</b> ("On"). Check the power cord and socket.
	Fuse is defective.	Replace the fuse: <ol style="list-style-type: none"> <li>1. Disconnect the power cord.</li> <li>2. Carefully pull the fuse holder <b>9</b> on the mains connection jack <b>8</b> out.</li> <li>3. Push the old fuse down and out. Insert a new fuse (2 A time-lag fuse).</li> <li>4. Close the holder.</li> </ol> 
The subwoofer doesn't emit basses.	The switch <b>4</b> "AUTO ON LEVEL" is set to <b>Auto On</b> but the input signal is too weak.	Increase the input sensitivity by turning the control <b>2</b> "AUTO ON LEVEL" to the right. Alternatively you can set the switch <b>4</b> "AUTO ON LEVEL" to "ON".
The subwoofer hums.	The subwoofer is connected to another circuit than the rest of the system.	Connect the subwoofer and the rest of the system to the same circuit.
	The buzzing is caused by problems with the power supply.	Buy a line filter and connect both devices to it.
	The buzzing is caused by a multiple socket.	Use another multi-outlet power strip or connect the subwoofer directly to the wall socket. It may also help to insert the power plug the other way around.

## Protecting the environment

### Disposal of the unit



**Used units must not be disposed of with household waste.**

If the unit is no longer operational, every consumer is required by law to dispose of used devices separately from household waste, e.g. at a collection point run by the communal authority borough. In this way

it is ensured, that used devices are properly recycled and that negative consequences on the environment are avoided. For this reason, electrical equipment is labelled with the displayed symbol.

**Lautsprecher Teufel GmbH**

Gewerbehof Buelowbogen - Ausgang D1  
Buelowstr. 66, 10783 Berlin (Germany)

**[www.teufelaudio.com](http://www.teufelaudio.com)**

Tel.: 00800 - 200 300 40  
(free of charge)

Fax: +49 (0)30 / 300 930 930

**Teufel**  
**... makes you happy**