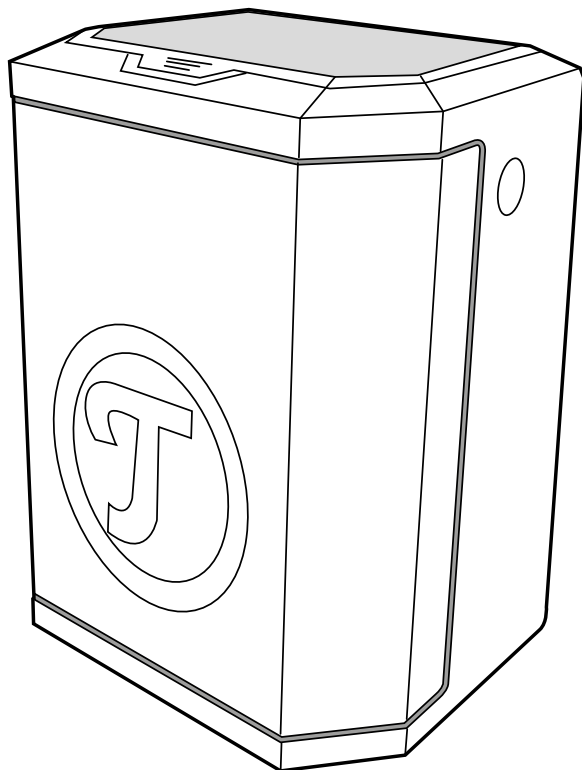


Technical Description and User Manual



ROCKSTER AIR

Bluetooth Speaker
with 4-channel mixer

Teufel

Contents

General Notes and Information	3	Connecting.....	19
Notice	3	Output.....	20
Trademarks.....	3	Mains connection	20
Original packaging	3	Operation	21
Complaints	4	Activating.....	21
Contact	4	Switch off or to standby.....	21
For your Safety.....	5	Adjusting the volume	21
Proper use	5	Sound control.....	22
Explanation of terms.....	5	Bluetooth®.....	22
Safety notes	5	Master/Companion Mode	24
Explanation of symbols.....	10	The Rechargeable Battery	25
Overview	11	Inserting and removing the re-chargeable battery.....	26
Unpacking.....	11	Optional Accessories.....	27
Package Contents.....	11	Remote Control	27
Checking the package contents.....	11	Care and Cleaning.....	28
Introduction	12	Storage	28
Operational Controls and		Troubleshooting.....	29
Connections.....	13	Technical Data	31
Front and back side	13	Declaration of Conformity	31
Connection and control terminal.....	14		
Mixing console	16		
Transport.....	17		
Setup.....	18		
Location tips	18		
PA tripod	18		
Inputs.....	19		

General Notes and Information

Notice

The information in this document may change without prior notice and in no way constitutes any liability on the part of Lautsprecher Teufel GmbH.

No part of this user manual may be reproduced in any form or be broadcasted in any way electronically, mechanically, by photocopy or recording without the written permission of Lautsprecher Teufel GmbH.

© Lautsprecher Teufel GmbH

Version 1.0

February 2018

Trademarks

 **Bluetooth**® The Bluetooth® word mark and logos are registered trademarks owned by the Bluetooth SIG, Inc. and any use of such marks by Lautsprecher Teufel is under license.

Qualcomm® aptX™

Qualcomm aptX is a product of Qualcomm Technologies International, Ltd.

Qualcomm is a trademark of Qualcomm Incorporated, which is registered in the USA and other countries; its use has been approved. aptX is a trademark of Qualcomm Technologies International, Ltd., which is registered in the USA and other countries; its use has been approved.

Original packaging

If you wish to exercise your eight-week right of return, we ask that you be absolutely sure to hold onto the packaging. We can only accept the return of the ROCKSTER AIR with the original packaging.

Empty boxes are not available!

Complaints

In case of a complaint we will need the following information to process your enquiry:

1. Invoice number

Can be found on the sales slip (enclosed with the product) or on the order confirmation received as a PDF document, e.g. 4322543.

2. Serial number or batch number

Located on the back side of the device, e.g. serial no.:
KB20240129A-123.

Thank you for your support!

Contact

Please contact our customer service with any questions, suggestions or criticism:

Lautsprecher Teufel GmbH

BIKINI Berlin

Budapester Str. 44

10787 Berlin (Germany)

Phone 00800 - 200 300 40 (toll-free)

Fax: +49 (0)30 / 300 930 930

Service:

www.teufelaudio.com/service

Contact:

www.teufelaudio.com/contact

For your Safety



Before operating the ROCKSTER AIR, please first read the safety notes and user manual carefully. This is the only way to use all functions safely and reliably. Store the user manual in a safe place and also be sure to pass it on to any subsequent owner.

Proper use

The ROCKSTER AIR is intended for the amplification and playback of music and spoken word from external source devices on internal and/or external speakers or active systems.

Only use the ROCKSTER AIR as described in this user manual. Any other use will be deemed as not in accordance with the instructions and may lead to damage of property or even persons.

The manufacturer accepts no liability for damage caused by improper use.

The ROCKSTER AIR is intended for private use.

Explanation of terms

You can find the following signal terms in this user manual:

WARNING

This signal term indicates a moderate risk, which, if not avoided, may result in death or severe injury.

CAUTION

This signal term indicates a low risk, which, if not avoided, may result in minor or moderate injury.

NOTICE

This signal term warns you of potential damage.

Safety notes

This chapter contains general safety notes which you should always observe to protect yourself and third parties. Also observe the warning notes in each chapter of this user manual.

⚠ WARNING

Improper electrical installation or excessive mains voltage may result in an electrical shock.

- *The device is suitable for a mains voltage of 220–240 V~, 50 Hz. When connecting the device, make sure that the correct voltage is present. You can find more information about this on the rating plate.*
 - *Check the device regularly for damage. Immediately disconnect the mains plug and do not operate the device if its housing or mains cord is defective or exhibits other visible damages.*
 - *If the device emits smoke, smells burnt or produces unusual sounds, immediately disconnect it from the mains or the battery and do not operate it further.*
 - *Never open the device housing. Repairs may only be carried out by an authorised specialist workshop. Only parts that*
- match the original specifications may be used.*
- *Only use the accessory products specified by the manufacturer.*
 - *Do not use the device in environments where there is a risk of explosion.*
 - *Do not operate the device in wet rooms and protect it from dripping and splashing water. Make sure that no vases or other liquid-filled objects are located on or near the device in order to prevent liquid from penetrating the housing. If water or other debris ends up penetrating the housing, immediately pull the mains plug and remove the rechargeable battery. Then contact our service address.*
 - *Never touch the mains plug with wet hands.*
 - *Never modify the device. Unauthorised modifications may affect the safety and functionality.*
 - *Power overload due to lightning strike may damage or destroy the unit. If the unit is unattended for a pro-*

longed period (e.g. when on vacation) or in the event of an incoming storm, pull the mains plug.

⚠ WARNING

An unstable base may cause the unit to tip and injure or even kill persons, children are particularly at risk. You can prevent a large number of accidents by taking the following precautions:

- *Never use the device un-mounted in vehicles, in unstable locations, on wobbly tripods or furniture, on insufficiently dimensioned brackets etc. The device could tip or fall down and cause injury to persons or be damaged itself.*
- *Arrange the device so that it cannot be knocked over accidentally and make sure that the cables do not pose a tripping hazard.*
- *When storing the device, also ensure that it stands safely and that it cannot be knocked down or over.*

⚠ WARNING

Children can become trapped in the plastic wrapping when playing and suffocate.

- *Do not allow children to play with the device or the plastic wrapping. There is a danger of suffocation.*
- *Ensure that children do not remove small parts from the device or take them off of the device (e.g. control knobs or plug adapters). They could swallow the parts and choke.*
- *Never allow children to operate electrical equipment unsupervised.*

⚠ WARNING

Handling rechargeable batteries improperly may lead to fire or explosion!

- *Keep the rechargeable battery away from paper clips, coins, keys, screws or other metallic objects that could bridge the contacts. Short circuiting caused by bridged rechargeable battery contacts may result in burns or fire.*

- *Never carry the rechargeable battery by the poles.*
- *Avoid bumps and abrupt stresses.*
- *Avoid electrostatic charge or discharge. Never use synthetic cloths or sponges to clean the rechargeable battery; instead only use cloths moistened with water without any additives.*
- *Only charge the rechargeable battery when it is installed in the device. A normal car battery charger is not suitable.*

⚠ WARNING

Risk of injury!

If used incorrectly, corrosive battery acid may leak out of the rechargeable battery.

- *Avoid any contact with it.*
- *In the event of accidental contact, immediately rinse with plenty of water and seek medical attention.*

⚠ CAUTION



Extended listening at high volumes may lead to hearing loss.

- *To avoid damage to health, avoid extended listening at high volumes.*
- *At high volumes, always maintain a certain distance to the device and never hold your ears directly up to a speaker.*
- *If an audio system is set to full volume, it may produce very high sound pressure. This may have psychological consequences and also cause physical injury. Children and pets are particularly at risk. Set the volume control of the device to a low setting when switching on the device.*

NOTICE

Improper use may lead to damage or fire.

- *Do not place open flames such as burning candles or similar on the device.*
- *Do not place the device in direct sunlight.*
- *Do not place the device near heat sources (e.g. heaters, ovens).*
- *Ensure sufficient ventilation.*
- *Do not cover the vents with curtains, blankets, posters or similar. Heat build-up inside the unit can shorten its lifetime.*

NOTICE

Gross misuse and incorrect care are the main reasons for damage to high-performance rechargeable batteries.

- *Avoid deep discharge of under 20 % for optimal rechargeable battery power.*
- *Recharge your rechargeable battery frequently.*
- *Store your rechargeable battery in a cool, but frost-free area, ideally at 15 °C. High-*

er temperatures result in a higher rate of self-discharge and shorten the intervals between charges.




- *Do not expose the rechargeable battery to direct sunlight or other sources of heat.*
- *A deep discharge damages the rechargeable battery cells. The most frequent cause of deep discharge is prolonged storage or failure to use a partially discharged rechargeable battery. Only store the rechargeable battery once it is fully charged.*

NOTICE

The isolation pads can produce discolouration on sensitive surfaces.


- *On parquet, varnished wood and similar surfaces, you should stick felt gliders to the rubber feet of the device or put a blanket under it. This will prevent discolouration of the floor over the long term.*

Explanation of symbols

	Protection class II Dual insulation
	Risk of electrical shock! Do not open the housing. Disconnect the mains cord before changing a fuse.
	Fuse 2 AL/250 V



Old devices must not be disposed of with household waste!

 Electrical equipment contains harmful substances and valuable resources.

Every consumer is required by law to bring all old electrical devices to an authorised collection or return point so that they can be disposed of in a manner that is environmentally friendly and which preserves resources.

You can hand old electrical devices over to the local reusable materials/recycling centre.

Please contact your vendor directly for more information about this topic.



Used rechargeable batteries must not be disposed of with household waste!

Every consumer is required by law to bring all batteries and rechargeable batteries, regardless whether they contain harmful substances*) or not, to a collection point run by the communal authority or borough or to a retailer, so that they can be disposed of in an environmentally friendly manner.

Please only turn in batteries and rechargeable batteries which are empty!

*) labelled with: Cd = cadmium,
Hg = mercury, Pb = lead

Overview

Unpacking

- Carefully open the box, take out the EPE foam half-shell and carefully lift the ROCKSTER AIR out of the box.

Package Contents

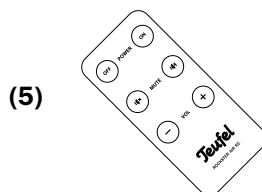
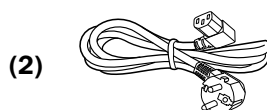
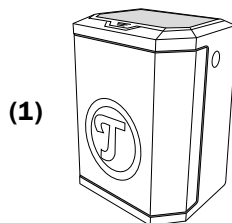
- (1) 1× ROCKSTER AIR
- (2) 1× mains cord
- (3) 1× carrying strap
- (4) 2× eye bolt for (3)

Optional accessories

- (5) “RocksterAir RC” infrared remote control

Checking the package contents

- Check that all items have been delivered and that nothing is damaged. If you find any damage, do not operate the device; instead contact our customer service department (see back side).
- Please keep the packaging for the duration of the warranty period.



Introduction

The ROCKSTER AIR is an active speaker system. By connecting multiple ROCKSTER AIR in master-companion operation, you can even supply large rooms with sound completely. The combination with our larger Rockster speaker is also possible.

The power can be supplied via the mains supply or the integrated rechargeable battery. Thus, the ROCKSTER AIR is also ideal for outdoor events.

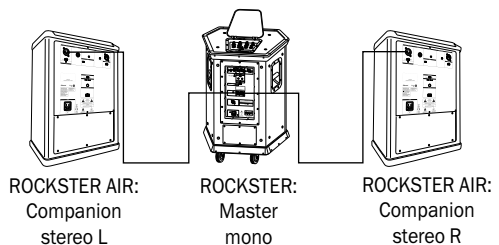
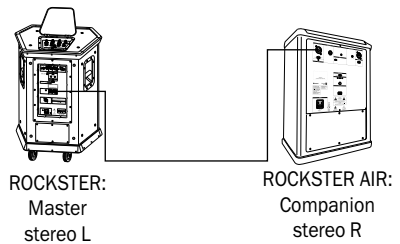
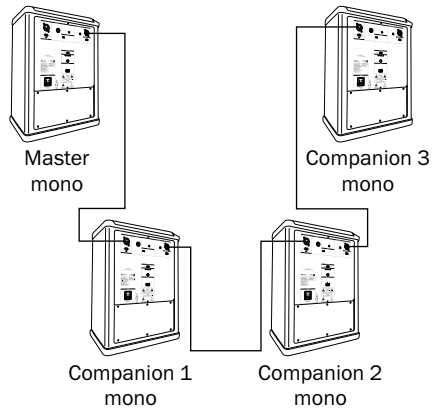
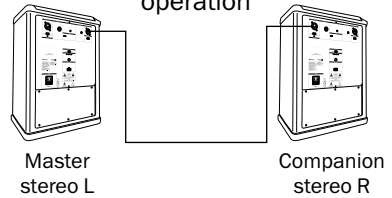
The following inputs are available for your source devices:

- Bluetooth®
- Stereo line (3.5 mm jack)
- Mono instrument (6.3 mm jack)
- Mono microphone input (XLR)

Each mixer channel has its own volume control. This allows you to play multiple sources at the same time and mix them.

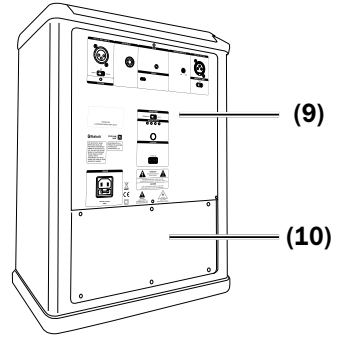
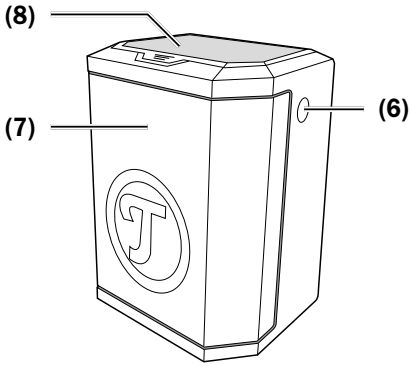
There are also specific controls for the master volume and sound adjustment (treble/bass). This allows you to adjust the sound to perfectly suit the local acoustics.

Connection examples for ROCKSTER AIR in master-companion operation



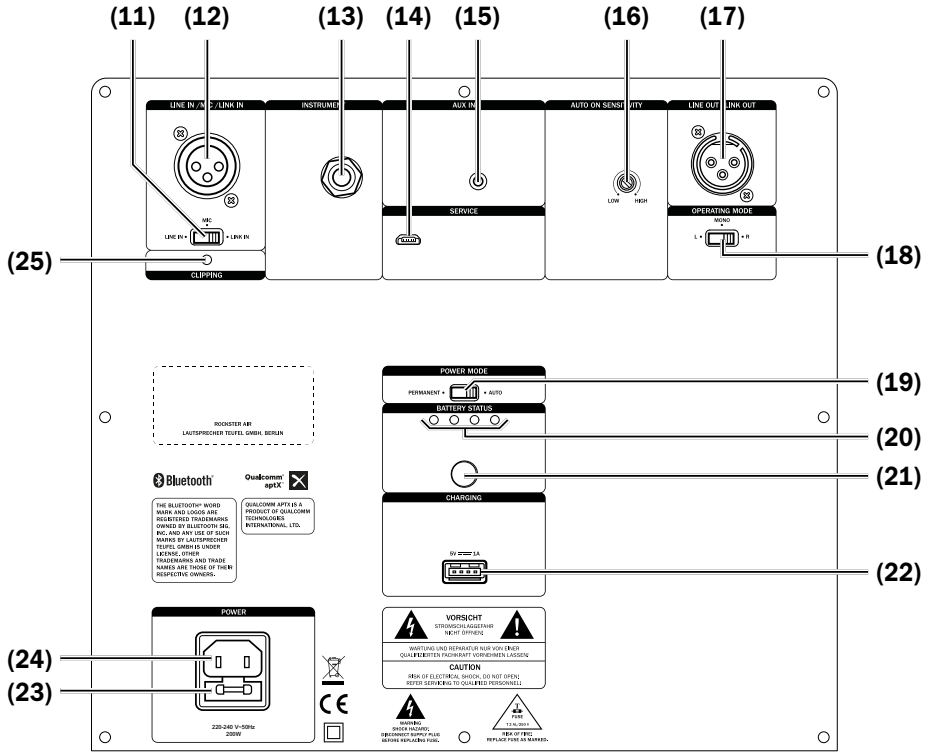
Operational Controls and Connections

Front and back side



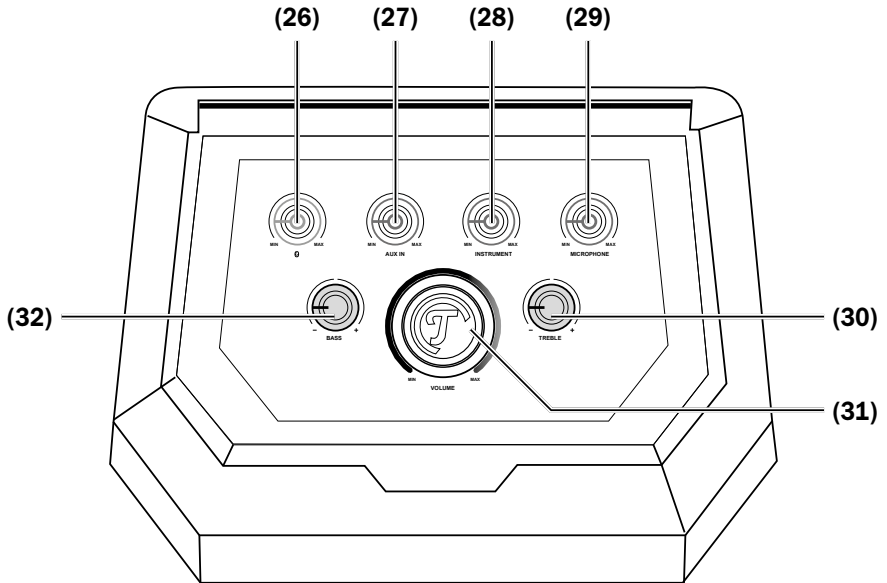
Item	Description
(6)	Threaded hole for eye bolts (4)
(7)	Infrared receiver for optional remote control
(8)	Cover cap for the mixing console
(9)	Connection and control terminal
(10)	Rechargeable battery compartment cover

Connection and control terminal



Item	Name	Description
(11)		Toggle for the input (12)
(12)	LINE IN/MIC/ LINK IN	XLR input, female, with 10 kOhm impedance for the line level (+6 dBu), microphone (-50 dBu) and companion operation. Switching with the switch (11). See pages 19 and 24.
(13)	INSTRUMENT	Mono input with a 6.3 mm jack plug socket, 10 kOhm impedance and -50 dBu line.
(14)	SERVICE	Only for service.
(15)	AUX IN	Stereo-input with 3.5 mm jack plug socket, 47 kOhm impedance and +6 dBu line.
(16)	AUTO ON SENSITIVITY	Control for adjusting the activation level for automatic activation.
(17)	LINE OUT/ LINK OUT	XLR output (male) with 100 Ohm impedance and +6 dBu level for controlling downstream companions. See pages 20 and 24.
(18)	OPERATING MODE	Stereo channel setting: left, mono, right. The respective other channel is transmitted via the jack (17) (see page 24).
(19)	POWER MODE	Toggle for power mode: PERMANENT: Automatic control disabled, device is manually switched on and off. AUTO: Automatic activation and switching to stand-by enabled (see page 21).
(20)	BATTERY STATUS	LED display for remaining power of the rechargeable battery (see page 25).
(21)		Button for displaying the remaining power of the rechargeable battery.
(22)	CHARGING	USB port for charging smartphones etc. (type A, 5 V, 1 A). Data transmission is not possible.
(23)	—	Fuse holder
(24)	POWER	Mains connector jack
(25)	CLIPPING	Overload indicator, illuminates when the input level is too high. Reduce the volume on your external player.

Mixing console



Item	Name	Description
(26)		Volume control and pairing button for Bluetooth.
(27)	LINE IN	Volume control for AUX IN input (15).
(28)	INSTRUMENT	Volume control for INSTRUMENT input (13).
(29)	MICROPHONE	Volume control for MICROPHONE input (12).
(30)	TREBLE	Sound control for treble.
(31)	VOLUME	Master volume control, push to switch on/off.
(32)	BASS	Sound control for bass.

Transport

The enclosed carrying strap is provided for comfortable transport of the ROCKSTER AIR. It can be secured as follows:

1. Remove the plugs from the two threaded holes **(6)**.
2. Screw one eye bolt **(4)** into each of the threaded holes.

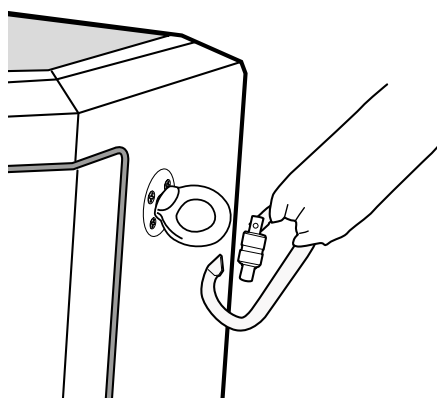
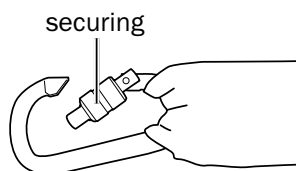
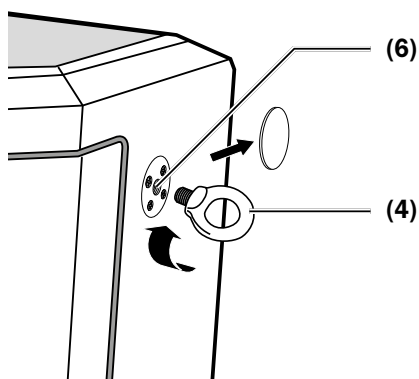
To secure the strap:

3. Turn the gate of the snap hook to the left until the hook can be opened.
4. Run the snap hook through the eye bolt on the ROCKSTER AIR.
5. Tighten the gate of the snap hook by turning it to the right.

NOTICE

If the device is subjected to warm temperatures after being cold (e.g. after transport), condensation may occur inside of it.

- *In this case, wait at least 2 hours before you connect and activate it.*



Setup

Location tips

- Select a stable, level base.
- Make sure that the environment is clean and free from dust.
- Select a location away from heat sources and direct sunlight.
- Lay the connector cords so that they do not pose a tripping hazard.
- Do not place any heavy objects on the cables or the ROCKSTER AIR.

PA tripod

An opening with which you can mount the device on a PA tripod with a 35 mm pivot is located on the bottom of the ROCKSTER AIR.

Connecting

Inputs

LINE IN/MIC/LINK IN (12)

XLR input, female, with 10 kOhm impedance.

With the switch **(11)**, you can set the function of this connection:

- **LINE IN:** For line level (+6 dBu).
- **MIC:** For the microphone level (-50 dBu), without supply voltage.
- **LINK IN:** For master/companion operation with multiple ROCKSTER AIR units: The ROCKSTER AIR operated as a companion is sent its audio signal via this connection. All controls of the companion are deactivated and the volume is set to maximum.

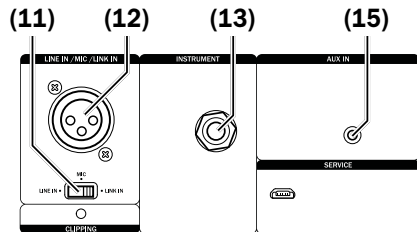
You can also connect an external mixing console or another PA accessory to this input.

INSTRUMENT (13)

Mono input with a 6.3 mm jack plug socket, 10 kOhm impedance and -50 dBu line for connecting an electric guitar for example.

AUX IN(15)

Stereo input with a 3.5 mm jack plug socket, 47 kOhm impedance and +6 dBu line for connecting a MP3 or CD player for example.

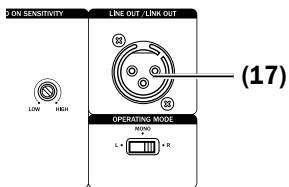


Output

LINE OUT/LINK OUT (17)

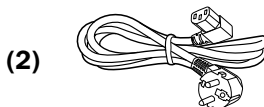
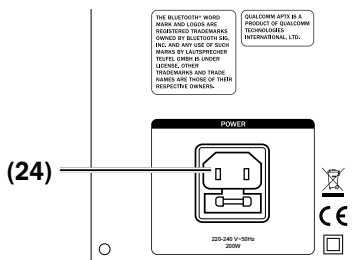
Only in master/companion operation with multiple ROCKSTER AIR units: The ROCKSTER AIR operated as a master transmits its audio signal to the devices operated as a companion via these connections.

Use a properly shielded, crush-proof XLR stage cable for this connection.



Mains connection

- Connect the mains connector jack (24) with a mains socket using the mains cord (2).



Operation

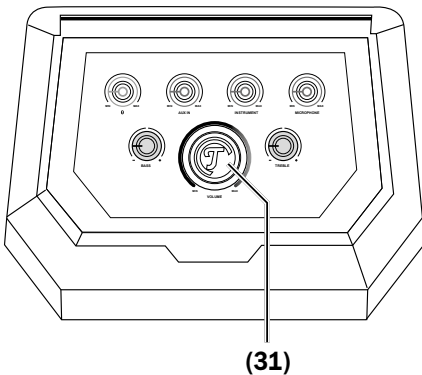
Activating

Pushing the VOLUME control (31) switches the ROCKSTER AIR on. The LED rings around the controls of the mixing console will briefly illuminate and then show the active inputs and the volume. The Bluetooth® pairing mode will also be activated if a device has not yet been connected.

Switch off or to standby

Push the VOLUME control (31) and hold it for two seconds:

- In battery mode, the device will switch off.
- In mains mode, the device will switch to standby.



Automatic activation/deactivation

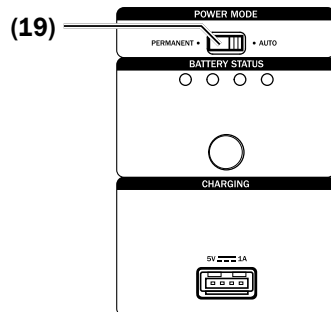
With the POWER MODE switch (19), you can switch the automatic function on and off:

PERMANENT

- The ROCKSTER AIR is continually activated.

AUTO

- If there's no audio signal for approx. 20 minutes, the ROCKSTER AIR switches to standby.
- If power is supplied via mains current, the ROCKSTER AIR automatically switches back on from standby mode as soon as a signal is detected at the inputs or via Bluetooth. Only microphone mode is excluded from this.



Adjusting the volume

The VOLUME control **(31)** is the master volume control for the entire system, including the or multiple ROCKSTER AIR units connected as a companion.

- Turn the control clockwise to increase the volume.
- Turn the control anticlockwise to decrease the volume.
- The LED ring around the control shows you the current setting.

Mixer volume

The volume of the four mixer channels is set with these controls:

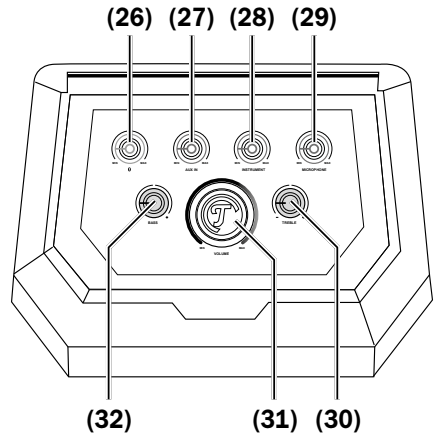
- **Bluetooth® (26)** — Bluetooth®
- **LINE IN (27)** — AUX IN input **(15)**
- **INSTRUMENT (28)** — INSTRUMENT input **(13)**.
- **MICROPHONE (29)** — LINE IN/ MIC/LINK IN input **(12)**.

These controls can only decrease the volume of the source. You determine the maximum volume with the VOLUME control **(31)**.

All four mixer channels can be arbitrarily mixed with one another. As soon as a channel has not been completely turned down, its LED ring will illuminate.

Sound control

You can adjust the sound with the controls **(30)** for treble and **(32)** for bass.



Bluetooth®

You can connect compatible devices, such as most smartphones, with your ROCKSTER AIR via Bluetooth®. The audio output of your smartphone is then played back by the ROCKSTER AIR.

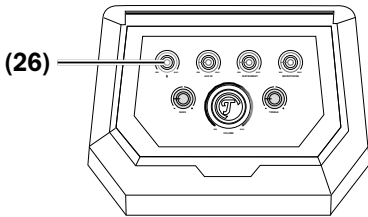
You can also register two Bluetooth® devices, which are played in alternation.

A Bluetooth® connection is only possible to a ROCKSTER AIR in master mode – Bluetooth® is disabled during companion operation.

Pairing devices

To play the audio of your source on your ROCKSTER AIR via Bluetooth®, you must first connect the devices with each other. This is called “Pairing”.

1. Push the control **(26)** until the blue ring flashes once briefly (after approx. two seconds).



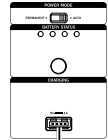
The ring will start to flash blue every second. The ROCKSTER AIR will now wait for a Bluetooth® connection for approx. 60 seconds.

2. Turn on the Bluetooth® function on your source device (e.g. smartphone).

3. Let your source device search for Bluetooth® devices. You will find more information about this in the user manual of your source device. After the search run, the “ROCKSTER AIR” should also be present in the list of detected devices.
4. Select the ROCKSTER AIR from the list of detected devices. The ROCKSTER AIR will now play back all sounds that would otherwise be played back by your source device.
5. If you would like to pair a second source device, repeat steps 1 to 4 with the second device.

i If your Bluetooth® source device is a smartphone, you should activate flight mode if possible to prevent playback from being interrupted by an incoming call.

- You can connect a Bluetooth® source device with USB charging cable to the CHARGING jack **(22)** to provide power. This connection supplies up to 1 A of power, also when operating the ROCKSTER AIR with the rechargeable battery.



Terminating the connection

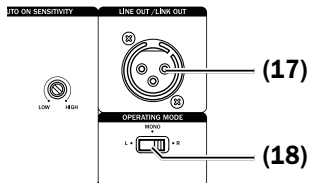
To terminate the Bluetooth® connection, switch the Bluetooth® function on your source device off.

Master/Companion Mode

You can connect two ROCKSTER AIR units to provide a stereo cluster. In mono mode, it is generally possible to create a chain of any number of companions behind one master.

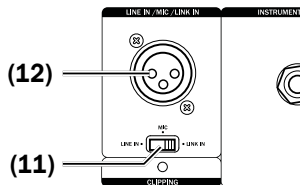
To prepare master/companion mode:

1. Make sure that all ROCKSTER AIR units are switched off.
2. You can determine the playback of the stereo channels with the OPERATING MODE switch (18) on the master:
 - **L** – Playback of the left channel.
 - **MONO** – Both channels are mixed.
 - **R** – Playback of the right channel.

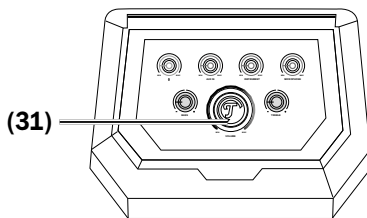


The respective other channel is transmitted to the companion(s) via the LINE OUT/LINK OUT jack (17) of the master.

3. Connect the LINE OUT/LINK OUT jack (17) of the master to the LINE IN/MIC/LINK IN jack (12) of the companion with an XLR extension cable.



4. On the companion, push the LINE IN/ MIC/LINK IN switch (11) to the “LINK IN” position. Thus, the controls of the mixing console are deactivated and the volume is set to maximum.
5. To connect more ROCKSTER AIR units, connect the LINE OUT/LINK OUT jack (17) with the LINE IN/MIC/LINK IN jack (12) of the next companion and also set its LINE IN/MIC/LINK IN switch (11) to the “LINK IN” position.
6. Now, first switch the master on and use the VOLUME control (31) to set the volume to a low level.



7. Then switch the companions on, one after another, and control the whole system while slowly increasing the volume on the master.

The Rechargeable Battery

The maintenance-free internal rechargeable battery is charged as soon as the ROCKSTER AIR is connected to the mains supply and switched on.

The rechargeable battery is only precharged when delivered. You must fully charge the rechargeable battery before first start-up.

- While charging, the BATTERY STATUS LEDs (20) will indicate the charging level with a sequential light.

A complete charge cycle for the internal rechargeable battery takes approx. 7 hours.

After charging, the built-in charger switches to trickle charge and keeps the rechargeable battery fully charged for several weeks.

The maximum playing time depends on the amount of low tones contained in the material played back. A large amount of low frequency tones (bass tones) will reduce the maximum operating time. If the rechargeable battery is fully charged and you are playing back pop music at maximum volume, the operating time amounts to approx. 6 hours and up to 24 hours at low volume.

Displaying the battery power

Briefly push the BATTERY STATUS button (21). Now, the LEDs (20) show the charge level of the rechargeable

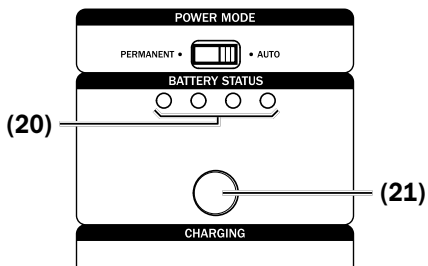
battery – every LED represents 25 % capacitance: When the rechargeable battery is full, all four LEDs light up. If only one is illuminated, the remaining capacitance amounts to 25 %. No LED will be illuminated when the rechargeable battery is empty.

NOTICE

A deep discharge irreparably damages the rechargeable battery.

- *Charge the rechargeable battery once the indicator displays a charge level of 25 %.*

To protect the rechargeable battery, the ROCKSTER AIR has deep discharge protection, which switches the device off once the threshold is



reached.

Inserting and removing the rechargeable battery

CAUTION

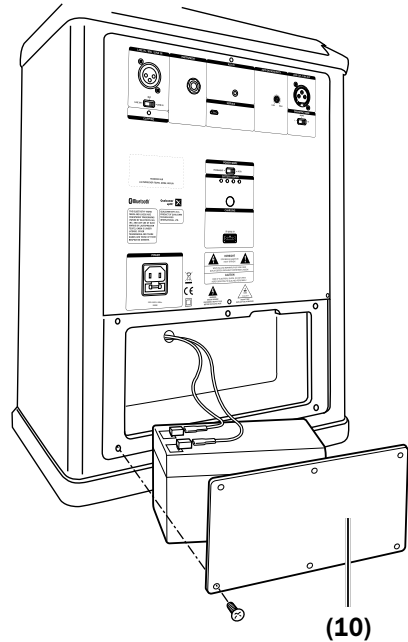
A short circuit of the rechargeable battery can cause a fire.

- *Protect the rechargeable battery contacts.*
- *Keep conductible objects away from the rechargeable battery.*

1. Pull the mains plug out of the socket.
2. Remove the six screws of the rechargeable battery compartment cover **(10)**.
3. Remove the rechargeable battery compartment cover.

In the rechargeable battery compartment, you will see the rechargeable battery with a red and black cable with plug shoes.

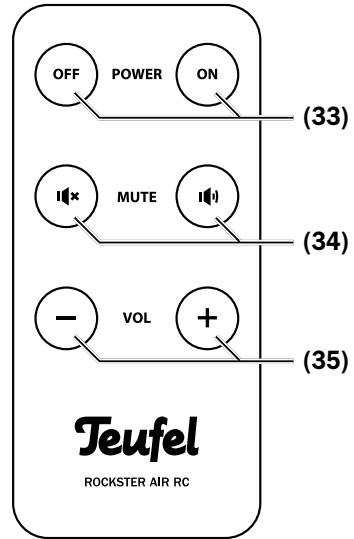
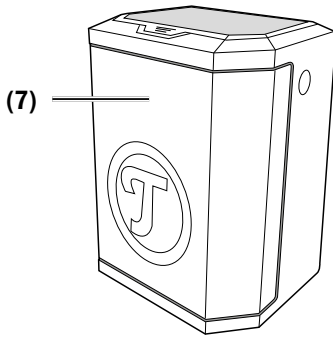
- The red cable always belongs to the positive pole (+) of the rechargeable battery.
 - The black cable always belongs to the negative pole (+) of the rechargeable battery.
4. Pull the plug shoes off of the rechargeable battery.
 5. Carefully take the rechargeable battery out of the rechargeable battery compartment.



Optional Accessories

Remote Control

You can optionally purchase the “ROCKSTER AIR RC” remote control for the ROCKSTER AIR, which you can use to control a few basic functions. Its range amounts to up to 10 m with a direct line of sight to the IR receiver (7), which is located on the front side of the ROCKSTER AIR.



Item	Description
(33)	Turn the device on (ON) and off or switch it to standby mode (OFF) (see page 21).
(34)	Mute the speaker (speaker icon with slash) and switch it back on (speaker icon).
(35)	Increase (+) and decrease (-) the volume.

Care and Cleaning

NOTICE


External influences may damage or destroy the device.

- *If possible, only use plain water without any additives. In case of stubborn marks, a mild soap solution may be used.*
- *Do not use caustic cleaning products, white spirit, thinners, petrol or similar under any circumstances. Such cleaning agents may damage the delicate surface of the housing.*
- Ideally, you should remove dust or small amounts of dirt with a dry, smooth leather cloth.
- Use a damp cloth to rub off stubborn dirt. Make sure that no liquid penetrates the housing.
- Then immediately wipe the damp surfaces off with a soft cloth without applying pressure.

Storage

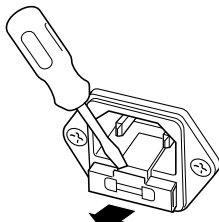
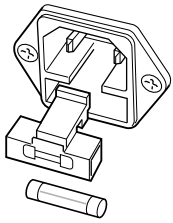
To store the ROCKSTER AIR for a prolonged period of time when not connected to the mains (e.g. in winter):

1. Connect the ROCKSTER AIR to the mains supply, switch it on and let the rechargeable battery charge completely (see “The Rechargeable Battery” on page 25).
2. Take the rechargeable battery out of the rechargeable battery compartment and store it so that it is cool and dry at +10 to +20 °C. Protect the rechargeable battery from exposure to humidity and direct sunlight.
3. Store the ROCKSTER AIR in a dry location at a temperature of +10 to +40 °C. Protect the ROCKSTER AIR from exposure to direct sunlight.

 If stored for a prolonged period and not used, we recommend that you fully charge the device at least once per month.

Troubleshooting

The following advice should help you to solve problems. If this does not help, you will find useful information in the detailed FAQs on our website. Otherwise, please contact our hotline (see page 4). Take note of the warranty instructions.


Problem	Possible cause	Solution
The device doesn't emit any sound.	The ROCKSTER AIR is off or doesn't have any power.	Switch the ROCKSTER AIR on by pushing the VOLUME control (31) . Check the mains cord and socket.
	The built-in rechargeable battery is empty.	To charge the rechargeable battery immediately connect the ROCKSTER AIR to a mains socket and switch it on.
	Mains fuse defective.	<p>1.</p>  <p>Disconnect the mains cord. Carefully pull the fuse holder on the mains connection jack out.</p> <p>2.</p>  <p>Push the old fuse down and out. Insert a new fuse (2 A delayed action) and push the holder back.</p>
No sound in Bluetooth® mode.	No Bluetooth® connection.	Establish a connection (see page 23).
	ROCKSTER AIR has not been selected as the output device.	On your source device, select "ROCKSTER AIR" as the Bluetooth® output device.
	Bluetooth® connection impaired by another radio system (e.g. cordless telephone or microphone, Wi-Fi).	Set up the ROCKSTER AIR and/or the source device in another location. Move to another room to test.

No sound via cable (LINE, AUX).	Volume of the source device has been set to zero.	Carefully increase the volume on the source device.
A hum is emitted from the speaker.	The ROCKSTER AIR is connected to a different power circuit from the rest of the system.	Connect the ROCKSTER AIR and the source device/preamplifier to the same power circuit.
	The hum is due to line disturbance.	Buy a line filter and connect all devices to it.
	The humming is caused by a multiple socket strip.	Use a different multiple socket strip or connect the ROCKSTER AIR directly to the wall socket.

Technical Data

Dimensions (W × H × D)	387 × 459 × 285 mm (without eye bolts)
Weight	14.4 kg (with rechargeable battery)
Operating voltage	220–240 V~, 50 Hz
Max. power consumption	200 watts

Declaration of Conformity

 Lautsprecher Teufel GmbH hereby declares that this product complies with the requirements of the directives 2014/30/EU, 2014/35/EU and 2014/53/EU to the extent they are installed and used in accordance with the instructions of the manufacturer. The full text of the EU declaration of conformity is available at the following Internet address:

www.teufelaudio.com/declaration-of-conformity.html

The following radio frequency bands and radio transmitting powers are used in this product:

Radio network	Frequency band in MHz	Transmission power in mW/dBm
Bluetooth®	2400–2483.5	2.5/4

You can find further technical data about the product on our website.

Teufel

Please contact our customer service department with any questions, suggestions, or complaints:

Lautsprecher Teufel GmbH

BIKINI Berlin

Budapester Str. 44

10787 Berlin (Germany)

Phone.: 00800 200 300 40 (toll-free)

Fax: +49 (0)30 - 300 930 930

Service: www.teufelaudio.com/service

Contact: www.teufelaudio.com/contact

No responsibility is assumed for the correctness of this information.

Technical changes, typographical errors and other errors reserved.