

## Technical Description and Operating Instructions

---



### **Definion 5S**

High End compact speaker

**Teufel**

# Contents

---

<b>General notes and information .....</b>	<b>3</b>	<b>Connecting the speakers .....</b>	<b>8</b>
Notice .....	3	Connection variations .....	8
Original packaging .....	3	Normal connection .....	8
Complaints .....	3	Bi-wiring .....	8
Contact .....	3	Bi-amping .....	9
Proper use .....	3	Connecting the cables .....	9
<b>For your safety .....</b>	<b>4</b>	<b>Care and cleaning .....</b>	<b>10</b>
Signal terms .....	4	<b>Troubleshooting .....</b>	<b>10</b>
Safety notes .....	4	<b>Protecting the environment .....</b>	<b>11</b>
<b>Product contents .....</b>	<b>5</b>	Disposing of the speakers .....	11
Unpacking .....	5	<b>Technical data .....</b>	<b>12</b>
Check delivery .....	5		
<b>Mounting speakers .....</b>	<b>6</b>		
<b>Setting up the speakers .....</b>	<b>7</b>		

# General notes and information

## Notice

The information in this document may change without prior notice and in no way constitutes any liability on the part of Lautsprecher Teufel GmbH.

No part of these instructions may be reproduced in any form or be broadcasted in any way electronically, mechanically, by photocopy or recording without the written permission of Lautsprecher Teufel GmbH.

© Lautsprecher Teufel GmbH

Version 1.0

Juli 2014

## Original packaging

If you wish to exercise your eight-week right of return, we ask that you be absolutely sure to hold onto the packaging. We can only accept the return of the speakers WITH THE ORIGINAL PACKAGING.

Empty boxes are not available!

## Complaints

In case of complaint we will need the following information to process your enquiry:

### 1. Invoice number

Can be found on the sales slip (enclosed with the product) or on the order confirmation received as a PDF document, e.g. 4322543

### 2. Serial number or batch number

Located on the back of the unit,  
e.g. serial number: KB20240129A-123.

Many thanks for your support!

## Contact

For questions, suggestions or any other issues please contact our customer service department:

Lautsprecher Teufel GmbH

Gewerbehof Bülowbogen

Bülowstraße 66

10783 Berlin (Germany)

**Phone 00800 - 200 300 40 (toll-free)**

**Fax: +49 (0)30 / 300 930 930**

**E-mail: [service@teufelaudio.com](mailto:service@teufelaudio.com)  
[teufelaudio.com](http://teufelaudio.com)**

## Proper use

Only use the speakers as described in these operating instructions. Any other use will be deemed as not in accordance with the instructions and may lead to damage of property or even persons.

The manufacturer accepts no liability for damage caused by use not in accordance with the instructions.

The speakers are intended for domestic use.



Before operating the speakers please read the safety notes and operating instructions carefully. Only in this way, can you ensure that all functions are used in a safe and reliable manner. Keep the operating instructions safe and pass them on to anyone who may own the unit after you.

# For your safety

## Signal terms

You can find the following signal terms in these instructions:

### WARNING

This signal term indicates a moderate risk, which, if not avoided, may result in death or severe injury.

### CAUTION

This signal term indicates a low risk, which, if not avoided, may result in minor or moderate injury.

### NOTE

The signal term warns you with respect to possible damages.

## Safety notes

### WARNING

Children can become trapped in the packing film when playing and suffocate.

- Do not allow children to play with the unit or the packing film. Danger of suffocation.
- Ensure that children do not remove small parts from the unit or take them off of the unit (e.g. control knobs or plug adapters). They could swallow the parts and choke.
- Never allow children to operate electrical devices unsupervised.

### NOTE

Incorrect location may result in damage.

- Only use the speakers in indoor areas.
- Do not use the speakers in wet rooms and protect them against dripping or spraying water.

### WARNING

An unstable base may cause a speaker to tip, which poses a risk of serious injury or death, especially for children. You can prevent many accidents by taking the following precautions:

- Place the speakers on the ground only.
- If you want to use underframes or speaker stands, only use those recommended by the manufacturer.
- When storing the speakers, make sure that they are in a stable position and that there is no risk of them falling or being pulled down.

### CAUTION



Extended listening at high volumes may lead to hearing loss.

- To avoid damage to health, avoid extended listening at high volumes.
- When the volume is set high, always keep a certain distance from the unit and never place your ear directly on the speaker.
- If a speaker is set to full volume, this may produce very high sound pressure. This may have psychological consequences and also cause physical injury. Children and pets are particularly at risk. Set your signal source unit volume control to a low setting before turning on the power.

### CAUTION!

Improper handling of the speakers may result in damage or fire.

- Do not place open flames such as burning candles or similar on the speakers.
- Do not expose the speakers to direct sunlight.


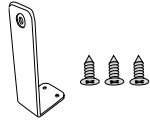
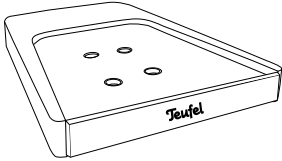
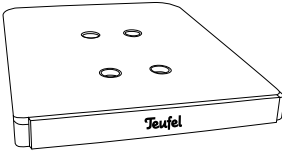
# Product contents

## Unpacking

- Carefully open the box, take out the EPE foam half mould and carefully lift the speaker out of the box without touching the diaphragms.

## Check delivery

- The carrier plate including the mounting bracket are shipped in separate packaging.
- Check that all items have been delivered and that nothing is damaged. If anything is missing or damaged, please contact our service department (see page 3).
- Do not operate any damaged parts.

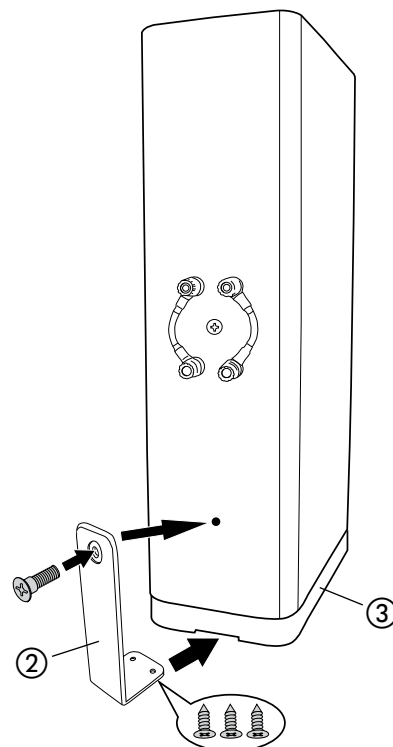
Pos.	Stck.	Artikel	
①	1	Speaker DEF 5S FCR	
②	1	Mounting bracket includ- ing 3 screws	
③	1	Carrier plate DEF 5S FRB for vertically aligned speak- ers	
oder			
④	1	Carrier plate DEF 5S CB for horizontally aligned speak- ers	

# Mounting speakers

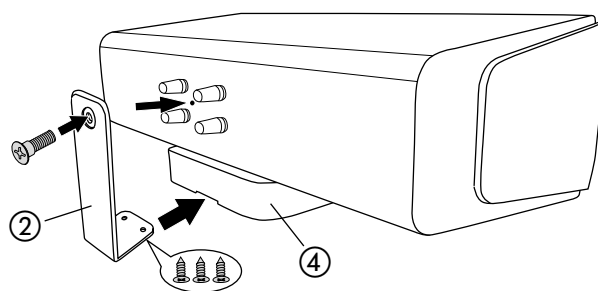
Depending on whether you would like to use the speaker in vertical or horizontal alignment, you must choose the appropriate carrier plate and mount it.

1. Place the speaker on the carrier plate ③ or ④.
2. Use the bracket ② to mount the speaker on the carrier plate.  
A screw that has already been fastened into place on the back of the speaker is provided for this purpose. Unscrew this screw and then use it to mount the bracket on the speaker.
3. Screw the other bracket flank onto the bottom of the carrier plate using the enclosed wood screws.

Assembly of the speakers is now complete.



Vertical alignment



Horizontal alignment

## Setting up the speakers

### ⚠ CAUTION

Place the speakers in such a way that they cannot be knocked over unseen and make sure that the cables do not pose a trip hazard.

### Note

You can also find extensive notes on proper speaker arrangement on our website [teufelaudio.com](http://teufelaudio.com).

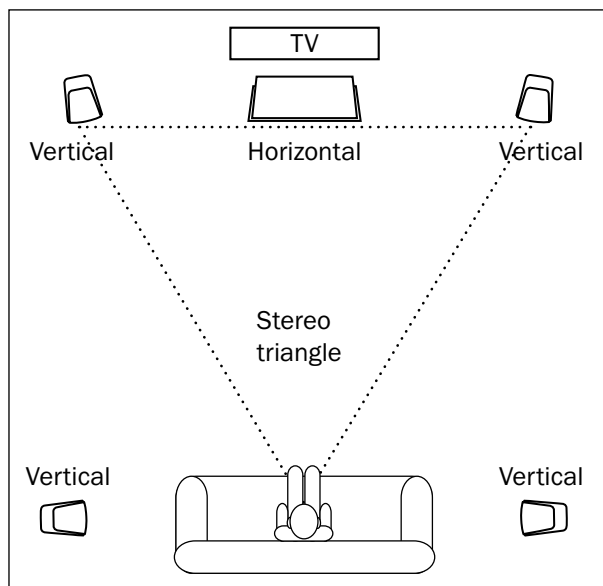
Perfect matching stands for the speakers you can buy in our webshop.

- Select a stable, level base and make sure that the speakers are securely positioned. You can compensate minor irregularities in the floor by unscrewing or screwing in the flat spikes.
- Make sure that the environment is clean and free from dust.
- Avoid placing the unit close to sources of heat or in direct sunlight.
- Arrange the connector cables so that they do not pose a trip hazard.
- Do not place any heavy objects on the cables or the speakers.

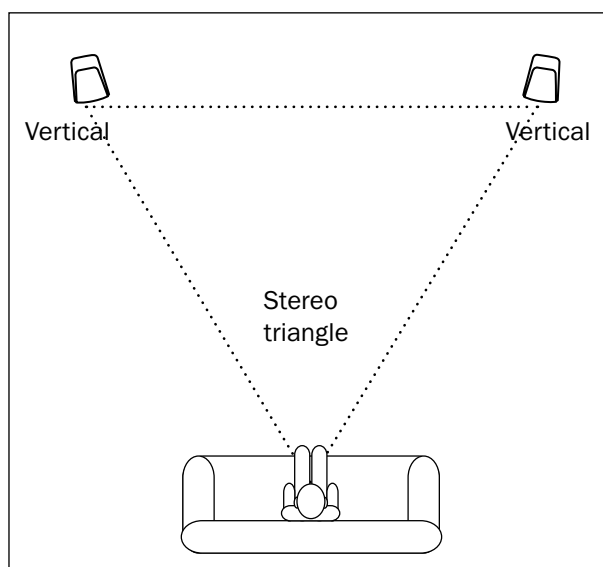
To make full use of the available sound potential,

- place the speakers in a position in the room which is as unobstructed as possible. Ideally, the distance to the back wall should be 0.5 m.
- Set the speakers up so that the listening position and the pair of front speakers form an equilateral or at least isosceles triangle.
- When setting them up, make sure that the distance between the speakers and the listener amounts to at least 2 m.

These notes are a recommendation. Depending on the room properties and listening situation, it may be worthwhile experimenting with the speaker arrangement. The speaker performance of course benefits from the level of quality offered by the connected components and accessories used.



Setup as home theater



Setup as stereo speakers

# Connecting the speakers

## Note

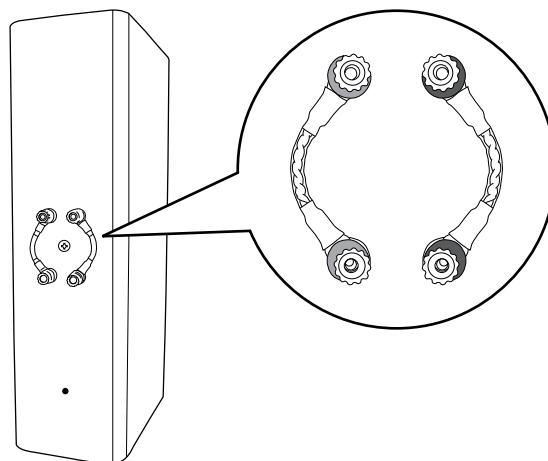
Due to differing customer requirements, the Definion 5S speakers are shipped without speaker cables. You can find suitable cables in our webshop ([teufelaudio.com](http://teufelaudio.com)) in the "Accessories" area.

- The connector terminal with four pole clamps is located on the back of the speaker. You can connect the speaker cable directly or using pin plugs or cable shoes from our product assortment. The terminals are marked in red (+) and black (-).

## Note

### Make sure the polarity is correct!

Connect the like coloured terminals. The speaker connections of your amplifier should be marked similarly. The strands of the speaker cables are marked with different colours or shapes.



## Connection variations

In addition to a normal connection where each speaker is connected to the amplifier/AV receiver with a cable, you can also select "bi-wiring" or "bi-amping" configurations.

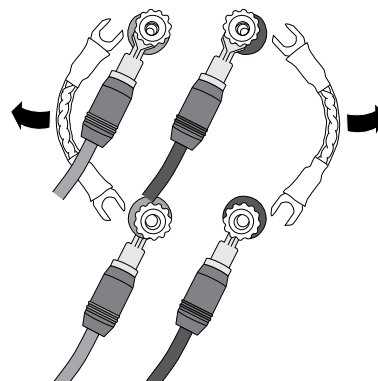
### Normal connection

With this method, the speaker is connected like conventional speakers with one 2-strand speaker cable. The cable bridges between the connector terminals may not be removed in the process; You can connect the speaker cable to red and black terminals accordingly.



### Bi-wiring

With bi-wiring, the speaker is connected to the power amplifier/AV receiver with two separate speaker cables for the medium high range path and low range path. Decoupling between the high/medium and low range paths may improve the sound depending on the quality of the speaker cables used.



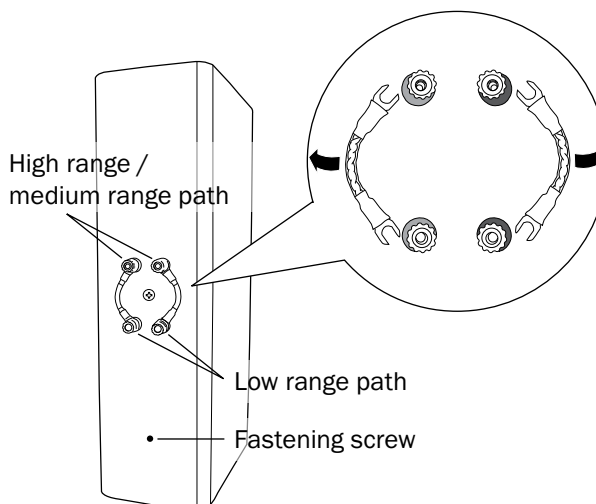


## Bi-amping

Here, the low and the medium/high range paths are supplied by an own power amplifier of the amplifier/AV receiver each. Connect a 2-core speaker cable to each power amplifier and connect it with the upper or lower connector terminals of the speakers. Advantage: Improved performance and sound quality.

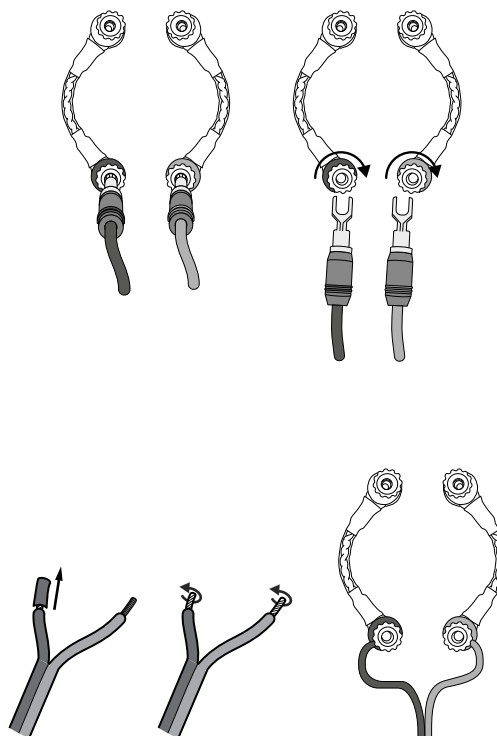
### Note

- You only have to remove the cable bridges and connect the connector terminals individually for bi-wiring or bi-amping operation.
- To do this, loosen the connector terminals by turning them counterclockwise and pull the cable bridges out. The upper terminals lead to the high and medium range path and the bottom terminals lead to the low range path.



## Connecting the cables

1. Turn off your amplifier/AV receiver.
2. Lay the speaker cable from each speaker to their amplifier/AV receiver.
3. If you use a speaker cable with pin plugs or cable shoes from our product range, simply insert the pin plugs in the like-coloured terminal connectors. Cable shoes are slid under the terminals and clamped in place.
4. If you use speaker wires without plugs, split the wire down to approx. 30 mm on both ends and remove approx. 10 mm of the insulation on each end. Twist the wire so that no strands are protruding.
5. Turn the connector terminal counterclockwise until loose. Run the stripped cable end into the now visible hole. Close the terminal by turning it counterclockwise. The cable has now been clamped in place.
6. Connect the other end of the speaker cables to your amplifier/AV receiver. You should be able to find corresponding notes in the operating instructions of your device.
7. Turn your amplifier/AV receiver back on.



## Care and cleaning

---

- Ideally, you should remove dust or small amounts of dirt with a dry, smooth leather cloth.
- Rub off stubborn dirt with a damp cloth. Make sure that no liquid penetrates the speakers.
- Then immediately wipe the surfaces dry with a soft cloth without applying pressure.

### Note

#### Risk of damage!

Using the wrong cleaning materials may damage the delicate surface of the case.

- If possible, only use plain water without any additives. In case of stubborn marks, a mild soap solution may be used.
- In no circumstances should caustic cleaning products, white spirit, thinners, petrol or similar be used for cleaning.

## Troubleshooting

---

The following notes and further detailed **information on our website** should help you to rectify malfunctions. In case you don't succeed, please contact our hotline ☎ **00800 - 200 300 40 (toll-free)**. Please also observe the warranty notes.

Problem	Possible cause	Solution
Playback is noisy.	Generally speaking, the speakers are very low noise. In the high range area, very high-resolution speaker systems can expose the poor quality of a signal source (e.g. from MP3 files).	Make sure that the source is emitting a clear signal.
The sound seems dull.	Speakers have been connected with incorrect polarity.	Check to make sure the cables of all speakers are correctly connected.

## Protecting the environment

---

### Disposing of the speakers



**Used units must not be disposed of with household waste!**

If the unit is no longer operational, every consumer is required by law to dispose of used units separately from household waste, e.g. at a collection point run by the communal authority/

borough. In this way it is ensured, that used units are properly recycled and that negative consequences on the environment are avoided.

For this reason, electrical equipment is labelled with the displayed symbol.

## Technical data

---

Speaker dimensions (WxHxD)	220x613x311 mm
Speaker weight	16,4 kg
Impedance	4 ohm
Bi-wiring/Bi-amping	Upper connections: High and medium range path Bottom connections: Low range path

You can find further technical data on our website. Technical changes reserved!

# Teufel

For questions, suggestions or other issues please contact our customer service department:

**Lautsprecher Teufel GmbH**  
Gewerbehof Bülowbogen  
Bülowstraße 66  
10783 Berlin (Germany)

Tel.: 00800 200 300 40 (toll-free)  
Fax: +49 (0)30-300 930 930  
[www.teufelaudio.com](http://www.teufelaudio.com)

No liability is accepted for the accuracy of this information. Technical changes, typographical errors and other errors reserved.