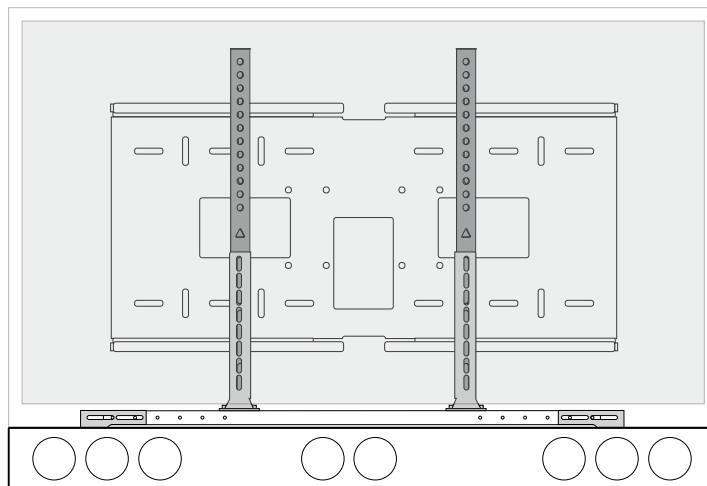
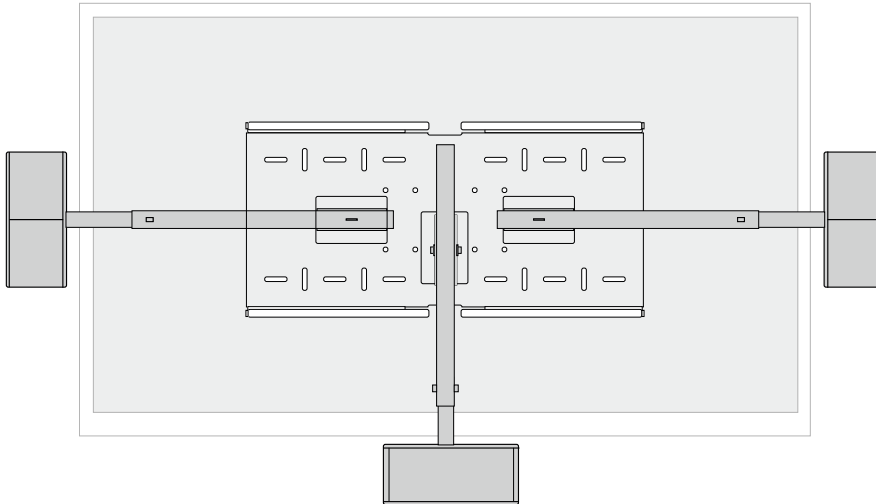


Technical Description and Operating Instructions



Multimedia Wall Mount

Multimedia wall mount system for TVs,
speakers and soundbars

Teufel

Contents

General Notes and Information	3
Notice.....	3
Original packaging.....	3
Complaints.....	3
Contact.....	3
Proper use	3
For Your Safety.....	4
Signal terms.....	4
Safety notes.....	4
Overview	5
Unpacking.....	5
Pack contents.....	5
Checking the pack contents	6
Mounting	7
Mounting material	7
Mounting types.....	7
Mounting with speakers.....	7
Mounting with soundbar	9
Care and Cleaning	11
Technical Data	11

General Notes and Information

Notice

The information in this document may change without prior notice and in no way constitutes any liability on the part of Lautsprecher Teufel GmbH.

No part of this user manual may be reproduced in any form or be broadcasted in any way electronically, mechanically, by photocopy or recording without the written permission of Lautsprecher Teufel GmbH.

© Lautsprecher Teufel GmbH

Version 1.0

May 2016

Original packaging

If you wish to exercise your eight-week right of return, we ask that you be absolutely sure to hold on to the packaging. We can only accept the return of the Multimedia Wall Mount WITH THE ORIGINAL PACKAGING. Empty boxes are not available!

Complaints

If you would like to make a complaint, we will need the following information to process your enquiry:

Invoice number

Can be found on the sales slip (enclosed with the product) or on the order confirmation received as a PDF document, e.g. 4322543.

Thank you for your support!

Contact

Please contact our customer service with any questions, suggestions or complaints:

Lautsprecher Teufel GmbH

BIKINI Berlin

Budapester Str. 44

10787 Berlin (Germany)

Phone 00800 - 200 300 40 (toll-free)

Fax +49 (0)30 / 300 930 930

E-mail: service@teufelaudio.com

teufelaudio.com

Proper use

The Multimedia Wall Mount is designed for securing TV sets or monitors (max. 65"/165 cm) with "VESA wall-mount system" (200 × 100 mm to 600 × 400 mm) with a maximum weight of up to approx. 45 kg as well as up to three speakers (each max. 3 kg) or one soundbar (max. 10 kg) on walls.

Only use the Multimedia Wall Mount as described in this user manual. Any other use will be deemed as not in accordance with the instructions and may lead to damage of property or even persons.

The manufacturer accepts no liability for damage caused by improper use.

The Multimedia Wall Mount is intended for private use.



Before operating the Multimedia Wall Mount, please first read the safety notes and user manual carefully. Only in this way, can you ensure that all functions are used in a safe and reliable manner. Store the user manual in a safe place and also be sure to pass it on to any subsequent owner.

For Your Safety

Signal terms

You can find the following signal terms in this user manual:

WARNING

This signal term indicates a moderate risk, which, if not avoided, may result in death or severe injury.

CAUTION

This signal term indicates a low risk, which, if not avoided, may result in minor or moderate injury.

NOTICE

This signal term warns you of potential damage.

Safety notes

This chapter contains general safety notes which you should always observe to protect yourself and third parties. Also observe the warning notes in each chapter of this user manual.

Improper mounting may result in injury and damage.

- Make sure that mounting is done in a professional manner.
- Verify the carrying capacity of the wall. Lightweight or dry walls (plasterboard etc.) may collapse when overloaded.
- Only use mounting material that is suitable for the composition of your walls. If you are unsure about these points, consult a qualified professional.
- Mount the Multimedia Wall Mount so that it and the mounted devices cannot be bumped into inadvertently and so that the cords do not pose a tripping hazard. The Multimedia Wall Mount or the devices/speakers could break off, fall down and inflict injury to persons or be damaged themselves.
- Make sure the dimensions of the speakers or the soundbar are suited for the Multimedia Wall Mount.
- Before drilling the holes, use a metal detector to ensure that there are no electrical cables or pipes in the wall within the drilling area.
- Do not mount the Multimedia Wall Mount near or directly above heat sources (e.g. heaters, ovens, other heat generating equipment such as amplifiers etc.).

- Avoid direct sunlight at the mounting location.
- Please also be aware of any vibrations that are produced by the speakers and can be transferred to the wall by the Multimedia Wall Mount. This may cause distortion in case of wooden walls.
- Never modify the Multimedia Wall Mount. Unauthorised conversions may affect its safety and functionality.
- Check the Multimedia Wall Mount regularly for damage and that it is secure. If you identify a defect, take the devices/speakers off and repair the damage or have it repaired.
- Repairs of the Multimedia Wall Mount may only be carried out by an authorised specialist workshop. Only parts that match the original specification may be used.
- Only use the accessory products specified by the manufacturer.

Children can become trapped in the packaging film when playing and suffocate.

- Do not allow children to play with the device or the packaging film. Danger of suffocation.
- Ensure that children do not remove small parts from the packaging or take them off of the Multimedia Wall Mount (e.g. screws). They could swallow the parts and choke.

Unpacking

- Carefully open the box and lift the Multimedia Wall Mount and the mounting accessories out of the box.

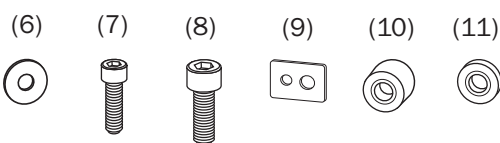
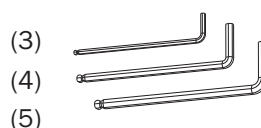
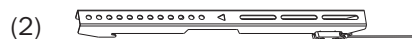
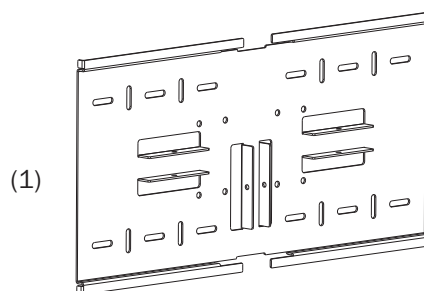
Pack contents

TV mount

- (1) 1× Base plate
- (2) 2× TV rail

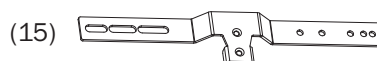
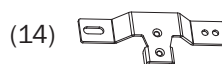
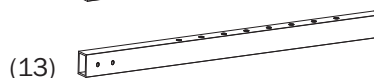
In the bag:

- (3) 1× 3 mm Allen key
- (4) 1× 5 mm Allen key
- (5) 1× 6 mm Allen key
- (6) 9× M8 washer
- (7) 5× M6×20 cylinder head screw
- (8) 5× M8×45 cylinder head screw
- (9) 5× Rectangular washer
- (10) 5× Spacer h=15 mm
- (11) 5× Spacer h=5 mm



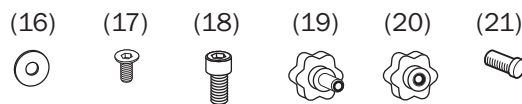
Speaker mount:

- (12) 3× Pipe profile, 440×30×20 mm
- (13) 3× Pipe profile, 380×25×15 mm
- (14) 3× Small T-piece
- (15) 3× Large T-piece



In the bag:

- (16) 21× M6 washer
- (17) 9× M5×6 countersunk screw
- (18) 15× M6×10 cylinder head screw
- (19) 9× M6×15 locking screw
- (20) 9× M6 lock nut
- (21) 9× M6×15 holding screw



Soundbar mount:

- (22) 2× Support rail
- (23) 1× Small L-bracket, left
- (24) 1× Small L-bracket, right
- (25) 1× Large L-bracket, left
- (26) 1× Large L-bracket, right
- (27) 1× Pipe profile, 880×25×15 mm

In the bag:

- (28) 9× M8 washer
- (29) 3× M6×15 locking screw
- (30) 3× M6 lock nut
- (31) 3× M6×15 holding screw
- (32) 9× M6×10 cylinder head screw

Mounting material (not included in the pack contents):

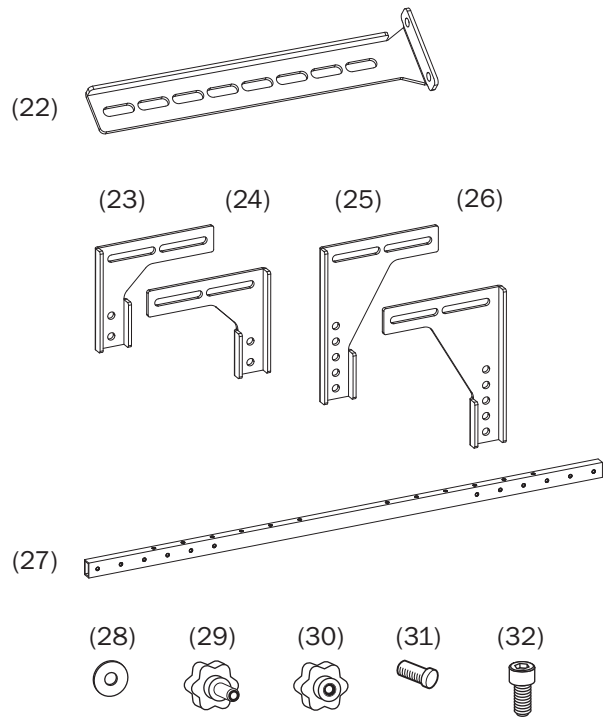
- 8 × 8–10 mm dowels
- 8 × corresponding half-round head screws

Checking the pack contents

- Check that all items have been delivered and that nothing is damaged.
- If the delivery is incomplete or has transport damages, please contact our service team (see page 3).



Never install a damaged mount.



Mounting material

For mounting you also need 8 dowels with a diameter of 8 to 10 mm and corresponding half-round head screws to secure the base plate on the wall.

⚠ WARNING

Make sure that mounting is done in a professional manner.

- If your walls are made of a material other than solid rock or concrete, be absolutely sure to use suitable mounting material.
- Always consult a qualified expert.
- Be absolutely sure to observe the safety notes on page 4.

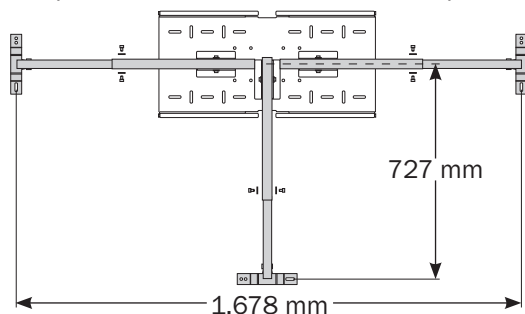
Mounting types

You can use the Multimedia Wall Mount in two ways:

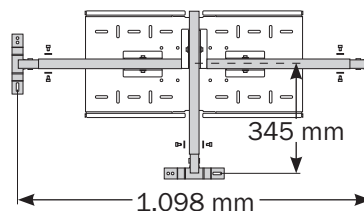
- **With speakers** – in this case, you can mount two speakers, one on the left and one on the right side of the TV-set and, optionally, a center speaker in the middle, below the TV-set.
- **With a soundbar** – you can mount a soundbar directly under the TV-set.

Mounting with speakers

The maximum distance between the stereo speakers amounts to 1,678 mm and 727 mm between the center speaker and the middle of the base plate:

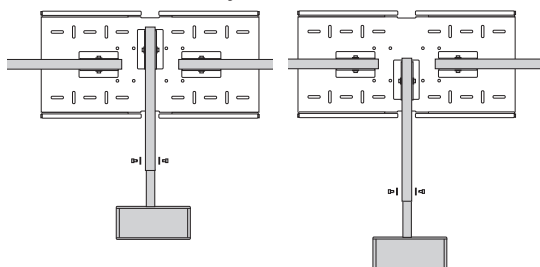


The minimum distance between the stereo speakers amounts to 1,098 mm and 345 mm between the center speaker and the middle of the base plate:

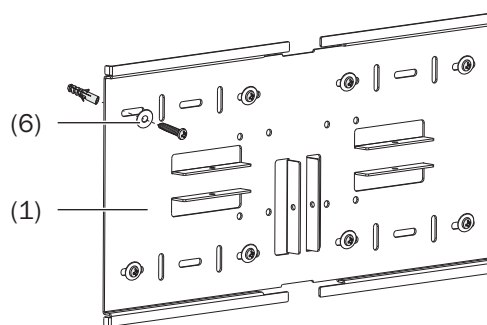


1. Hold the base plate **(1)** against the wall at the desired location and mark eight drill holes through the slotted holes.

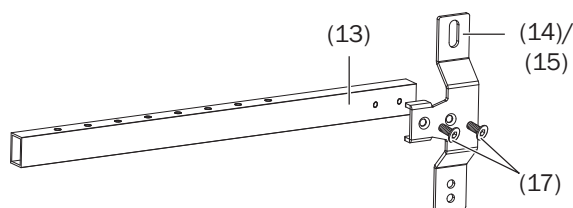
If the base plate is mounted after being turned 180°, the installation height of the center speaker can also be varied by 95 mm.



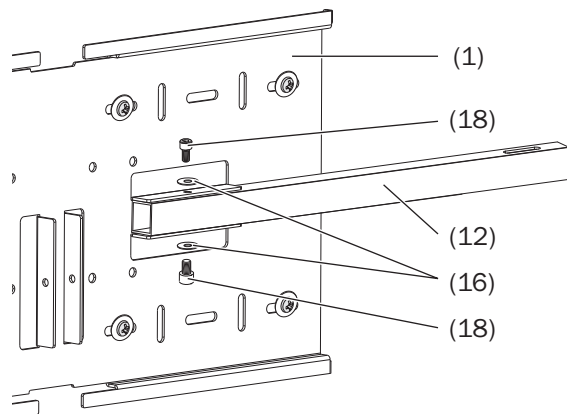
2. Drill holes in the wall at the marked points. The diameter of the holes must correspond to that of the dowels.
3. Screw the base plate **(1)** onto the wall with the dowels, washers **(6)** and half-round head screws.



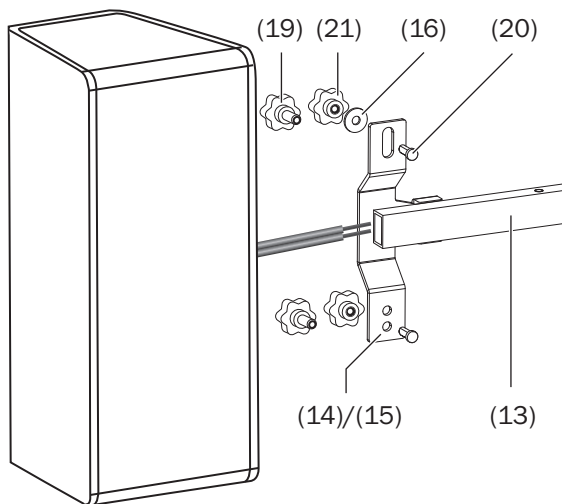
4. Depending on the speaker, use two countersunk screws **(17)** to screw the T-piece **(14)** (small) or **(15)** (large) onto the pipe profile **(13)**.



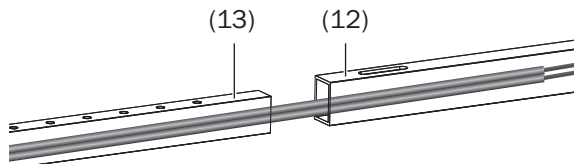
5. Use two washers **(16)** and two cylinder head screws **(18)** to mount the pipe profile **(12)** onto the base plate **(1)**. There are three threaded holes in the pipe profile **(12)** for approximate adjustment to the width of the TV-set.



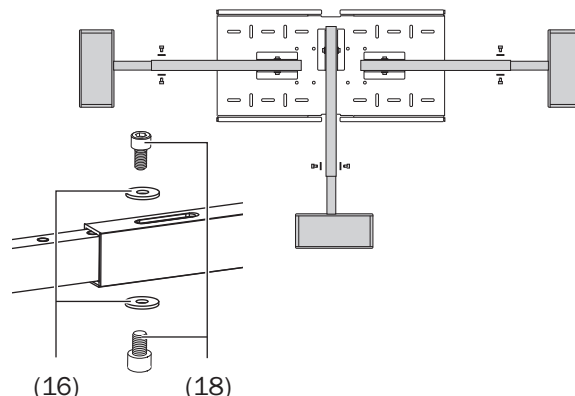
6. Connect the speaker cable to the speaker.
 7. Mount the speaker on the T-piece **(14)/(15)**. Depending on the speaker, use either the locking screws **(19)** or the holding screws **(21)** with the lock nuts **(20)**. Also use the washers **(16)** if necessary.



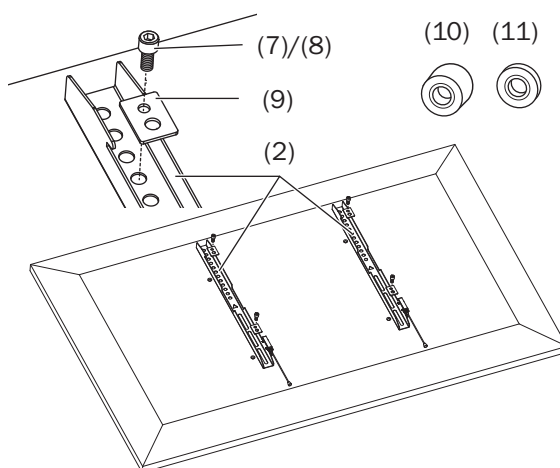
8. Run the speaker cable through the pipe profile **(13)**.
 9. Now also run the speaker cable through the pipe profile **(12)** and push the pipe profile **(13)** into the pipe profile **(12)**.



10. Repeat steps 4 to 9 for all other speakers.
 11. Arrange the pipe profiles according to the size of the TV-set and use two washers **(16)** and two cylinder head screws **(18)** to fix each of them in place.

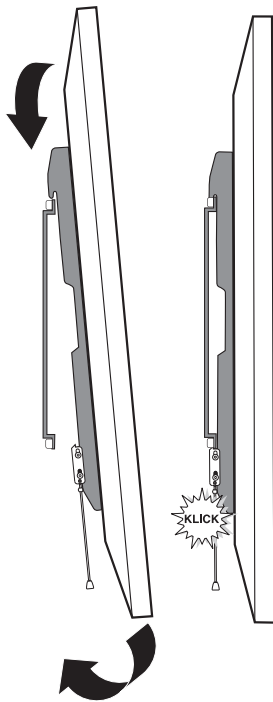


12. To mount the TV rails **(2)**, place the front of the TV-set on a soft base and, if applicable, remove the stand or other brackets (see the user manual of the TV-set).
 13. During mounting, make sure that none of the connections are covered, also not by the speaker mounts on the base plate **(1)**. If applicable, vary the positions of the TV rails **(2)** up or down or use angled connector plugs.
 14. Screw the two TV rails **(2)** with the corresponding cylinder head screws **(7)** or **(8)** and the rectangular washers **(9)** onto the VESA fixing points of the TV-set. The pull cord must be pointing towards the bottom of the TV-set in the process. Use the spacers **(10)** or **(11)** if necessary.



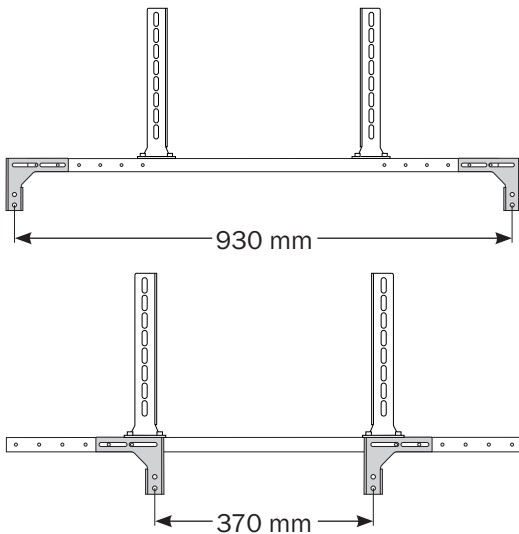
15. First hang the TV-set with the TV rails on the top of the base plate and carefully press along the bottom until the mount audibly clicks into place.

To take the TV-set off again, first pull the pull cords down and then tip the bottom edge of the TV-set forward.



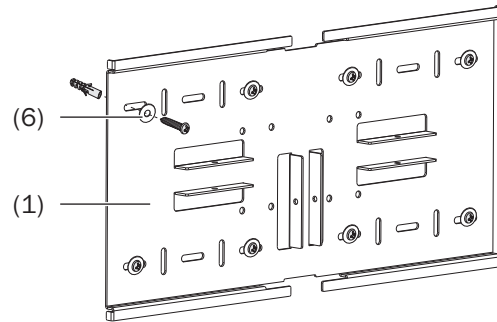
Mounting with soundbar

The maximum possible distance between the fixing points on the soundbar amounts to 930 mm, the minimum is 370 mm:

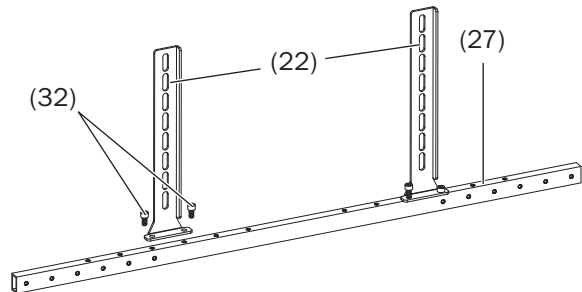


1. Hold the base plate **(1)** against the wall at the desired location and mark eight drill holes through the slotted holes.
2. Drill holes in the wall at the marked points. The diameter of the holes must correspond to that of the dowels.

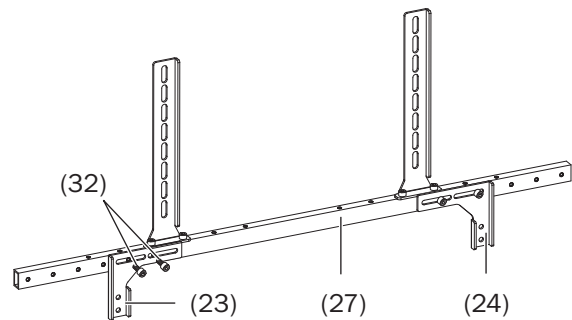
3. Screw the base plate **(1)** onto the wall with the dowels, washers **(6)** and half-round head screws.



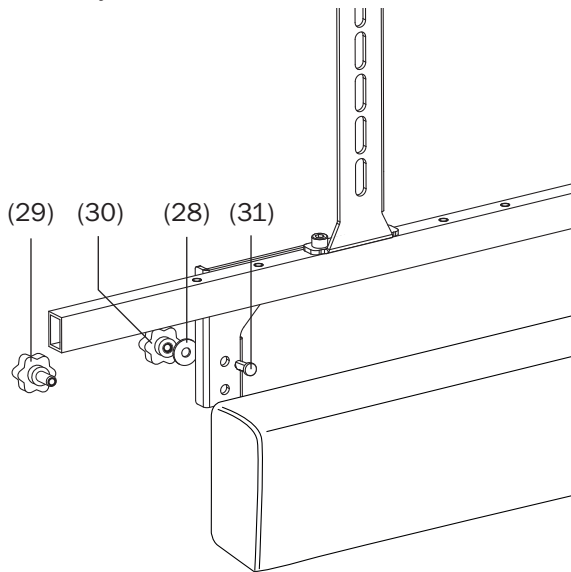
4. Measure the distance of the bottom VESA fixing points on the TV-Set and use two cylinder head screws **(32)** to screw each of the two support rails **(22)** symmetrically onto the narrow edge of the pipe profile **(27)**. Note how the parts are arranged in the process: The bracket edges and the threaded holes must point in the same direction (see graphic).



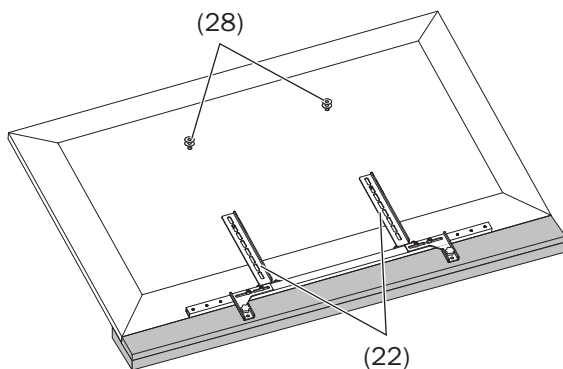
5. Depending on the soundbar, screw the L-brackets **(23)/(24)** (small) or **(25)/(26)** (large) onto the pipe profile **(27)** with two cylinder head screws **(32)** so that their empty holes align with the fixing points of the soundbar. If necessary, the right/left L-brackets can also be mounted the other way around.



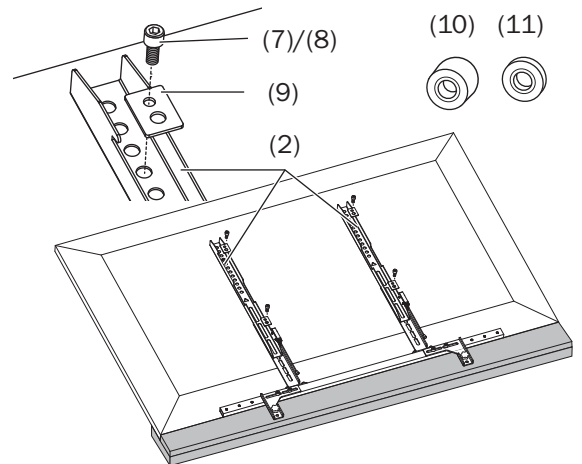
6. Mount the soundbar on the L-brackets **(23)/(24)** or **(25)/(26)**. Depending on the soundbar, use either the locking screws **(29)** or the holding screws **(31)** with the lock nuts **(30)**. Also use the washers **(28)** if necessary.



7. Place the front of the TV-set on a soft base and, if applicable, remove the stand or other brackets (see the user manual of the TV-set).
8. During mounting, make sure that none of the connections are covered, also not by the mounts on the base plate **(1)**. If necessary, use angled connector plugs.
9. Align the two support rails **(22)** on the bottom VESA fixing points of the TV-set. To compensate for the difference in height, place one or two washers **(28)** on each of the two top VESA fixing points of the TV-set.

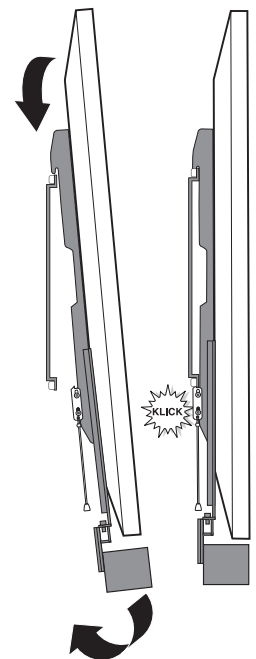


10. Screw the two TV rails **(2)** onto the support rails **(22)** and put the washers **(28)** in place and screw them onto the VESA fixing points of the TV-set with the corresponding cylinder head screws **(7)** or **(8)** and the rectangular washers **(9)**. The pull cord must be pointing towards the bottom of the TV-set in the process. Use the spacers **(10)** or **(11)** if necessary.



11. First hang the TV-set with the TV rails on the top of the base plate and carefully press along the bottom until the mount audibly clicks into place.

To take the TV-set off again, first pull the pull cords down and then tip the bottom edge of the TV-set forward.



Care and Cleaning

NOTICE

External influences could damage or destroy the multimedia wall mount.

- *If possible, only use plain water without any cleaning additives. In case of tough spots, a mild soap solution may be used.*
- *Do not use caustic cleaning products, white spirit, thinners, petrol or similar under any circumstances. Such cleaning agents may damage the surface.*

- Ideally, you should remove dust or small amounts of dirt with a dry, smooth leather cloth.
- Use a damp cloth to rub off stubborn dirt.
- Then immediately wipe the damp surfaces off with a soft cloth without applying pressure.

Technical Data

Dimensions of the base plate (WxHxD)	665 x 325 x 16 mm
Weight with speaker mount, without TV-set and speakers	max. 9.9 kg
Max. carrying capacity	45 kg

You can find further technical data on our website. Technical changes reserved!

Teufel

Please contact our customer service with any questions, suggestions or comments:

Lautsprecher Teufel GmbH
BIKINI Berlin
Budapester Str. 44
10787 Berlin (Germany)

Phone: 00800 - 200 300 40 (toll-free)
Fax: +49 (0)30 - 300 930 930
www.teufelaudio.com

No responsibility is assumed for the correctness of this information. Technical changes, typographical errors and other errors reserved.

Manual No. 94107_GB_20160504