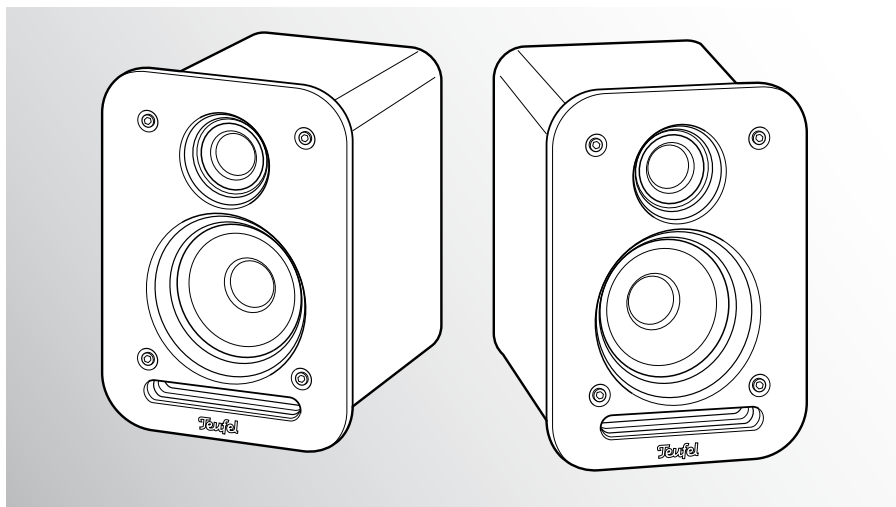


Technical description and operating instructions



Motiv B

Active stereo speakers with Bluetooth®

Teufel

Contents

| | |
|--|-----------|
| General notes and information | 3 |
| Product contents | 4 |
| Safety notes | 5 |
| Control elements and connections | 7 |
| Setup and connection | 8 |
| Setup location | 8 |
| Connecting the speakers | 9 |
| Operation | 10 |
| Activating/standby mode..... | 10 |
| Sleep mode..... | 10 |
| Enabling and disabling sleep mode | 10 |
| Volume | 10 |
| Audio input | 10 |
| Bluetooth® mode | 11 |
| Bluetooth® pairing | 11 |
| Activating and deactivating automatic pairing..... | 11 |
| Manual pairing | 12 |
| Playback..... | 12 |
| Stopping playback..... | 12 |
| Care and cleaning | 13 |
| Protecting the environment | 13 |
| Troubleshooting | 14 |
| Declaration of conformity | 15 |
| Technical data | 16 |

General notes and information

Notice

The information in this document may change without prior notice and in no way constitutes any liability on the part of Lautsprecher Teufel GmbH.

No part of these instructions may be reproduced in any form or be broadcasted in any way electronically, mechanically, by photocopy or recording without the written permission of Lautsprecher Teufel GmbH.

© **Lautsprecher Teufel GmbH**
Version 1.0
April 2014

Trademarks

© All trademarks are the property of their respective owners.



The Bluetooth® word mark and logos are registered trademarks owned by Bluetooth SIG, Inc. and any use of such marks by Lautsprecher Teufel GmbH is under license. Other trademarks and trade names are those of their respective owners.



© 2013 CSR plc and its group companies.

The aptX® mark and the aptX logo are trademarks of CSR plc or one of its group companies and may be registered in one or more jurisdictions.

Original packaging

If you wish to exercise your eight-week right of return, we ask that you be absolutely sure to hold onto the packaging. We can only accept the return of the speakers WITH THE ORIGINAL PACKAGING.

Empty boxes are not available!

Complaints

In case of complaint we will need the following information to process your enquiry:

1. Invoice number

Can be found on the sales slip (enclosed with the product) or on the order confirmation received as a PDF document, e.g. 4322543

2. Serial or batch number

Located on the bottom of the device, e.g. serial no.: MV2014....

Thank you for your assistance!

Contact

Please contact our customer service with any questions, suggestions or criticism:

Lautsprecher Teufel GmbH
Gewerbehof Buelowbogen
Buelowstrasse 66

10783 Berlin (Germany)

Phone 00800 - 200 300 40 (toll-free)

Fax +49 (0)30 / 300 930 930

E-mail: service@teufelaudio.com

www.teufelaudio.com

Proper use

Only use the product as described in these operating instructions. Any other use will be deemed as not in accordance with the instructions and may lead to damage of property or even persons. The manufacturer accepts no liability for damage caused by use not in accordance with the instructions. The product is intended for private use.

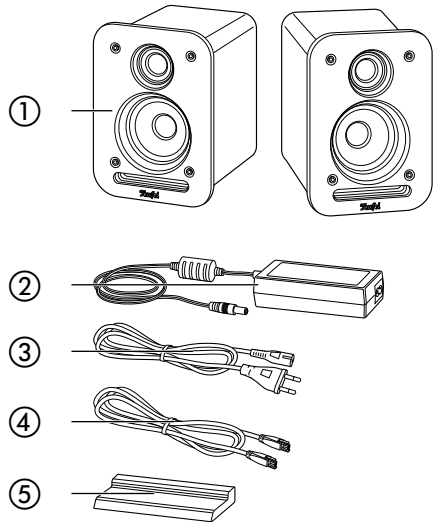


Before you operate the device, please first carefully read through the safety notes and operating instructions. Only in this way, can you ensure that all functions are used in a safe and reliable manner. Store the operating instructions in a safe place and also be sure to pass them on to any subsequent owner.

Product contents

Check to be sure

- Check that all items have been delivered and that nothing is damaged:
 - ① 1 x left (passive) and 1 x right (active) speaker
 - ② 1 x mains adapter with connector cable
 - ③ 1 x mains cord
 - ④ 1 x connector cable
 - ⑤ 2 x foot piece
- If the delivery is incomplete or exhibits transport damage, please contact our service department (see page 3).
- Do not operate the device in the event of transport damage!



Safety notes

Caution icons

You will find the following caution icons in these instructions:

Danger**High risk!**

Failure to heed the warning may result in injury for life and limb.

Attention**Moderate risk!**

Failure to heed the warning may result in damage to property.

**Low risk!**

Points which should be observed when handling the device.

Safety notes

Danger**Risk of electric shock!**

Improper electrical installation or excessive mains voltage

may result in an electrical shock.

- The mains adapter is suitable for a mains voltage of 100 – 240V ~ / 50Hz.
- If the unit's case or mains connection is defective or shows other signs of visible damage, disconnect the power plug immediately and do not operate the device.
- If the device emits smoke, smells burnt or produces unusual sounds, immediately disconnect it from the mains and do not operate it further.
- The On/Standby button does not disconnect the device from the mains.

Therefore, set up the device so that the mains plug is easily accessible.

- Never open the device housing. Repairs may only be carried out by an authorised specialist workshop. In the process, only parts that correspond to the original device data may be used. There are electrical and mechanical parts in this device which are necessary in order to avoid exposure to sources of danger.
 - Do not insert any objects in the case openings.
 - Only use the device in indoor areas. Do not operate the device in wet rooms and protect it from dripping and sprayed water. Make sure that no vases or other vessels filled with liquid are located on the device or nearby in order to prevent liquid from penetrating the housing. If water or other debris get through the case, immediately disconnect the mains plug. In such a case, send the device to our service address.
 - Never touch the mains plug with wet hands.
 - Regularly check the device and the mains cord for damage.
-

Danger**Danger to children!**

Children can become trapped in the packing film when playing and suffocate.

- Do not allow children to play with the device or the packing film. Danger of suffocation.
 - Never let children use electrical equipment unsupervised.
-



Danger to hearing!

Listening at high volumes may lead to hearing loss.

There is a potential risk of sudden very high noise pressure especially when activating the device which is set to full volume. This may have psychological consequences and also cause physical injury. Children and pets are particularly at risk.

- Set your signal source unit volume control to a low setting.
 - You must not operate Motiv B on source devices with fixed output level. These include e.g. CD, DVD or Blu-ray player with RCA outputs, which in general have no volume control.
 - When the volume is high, always keep a certain distance from the device and never place your ear directly on the speaker.
 - To avoid damage to health, avoid extended listening at high volumes.
-

Danger



Danger of injury/damage!

An unsuitable location could lead to damage.

- Never use the device unmounted in vehicles, in unstable locations, on wobbly tripods or furniture, on insufficiently dimensioned brackets etc. The device could tip or fall down and cause injury to persons or be damaged itself.
 - Arrange the unit so that it cannot be knocked over accidentally and make sure that the power cord do not pose a trip hazard.
 - Do not place the device near sources of heat (e.g. heaters, ovens, other heat generating equipment such as amplifiers etc.).
-

Attention Fire hazard!



Improper use may lead to damage or fire.

- Do not place open flames such as burning candles or similar on the device.
 - Do not expose the device to direct sunlight.
 - Ensure sufficient ventilation.
 - Do not cover the vents with curtains, blankets, newspapers or similar. Heat build-up inside the unit can shorten its lifetime.
-

Attention Risk of damage!

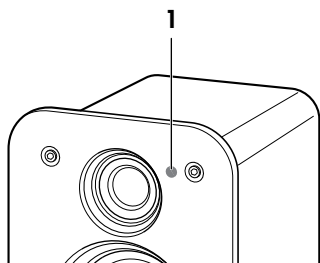


Power overload due to lightning strike may damage or destroy the unit.

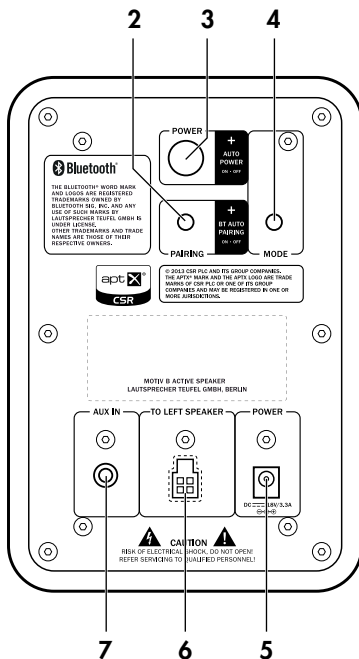
- If the device is to be left unsupervised for a long period (e.g. during a holiday), or if a thunderstorm is forecast, disconnect the power plug from the mains power supply.
-

Control elements and connections

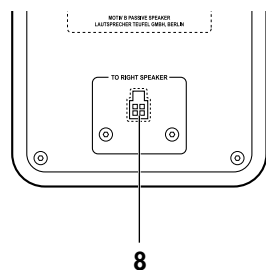
Front right speaker



Rear right speaker



Rear left speaker



| No. | Name | Meaning/function |
|-----|-------------------------|---|
| 1 | – | Control LED |
| 2 | PAIRING | Bluetooth® pairing |
| 3 | POWER | Turn on and to standby |
| 4 | MODE | Set automatic modes (see pages 10 and 12) |
| 5 | POWER | Connector jack for power cord |
| 6 | TO LEFT SPEAKER | Connector jack for connector cable |
| 7 | AUX IN | 3.5 mm jack plug audio input |
| 8 | TO RIGHT SPEAKER | Connector jack for connector cable |

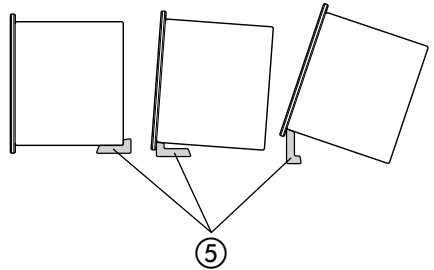
Setup and connection

Setup location

- Select a stable, level base.
- Make sure that the environment is clean and free from dust.
- Select a location away from heat sources and direct sunlight.
- Lay the cable so that it does not pose a tripping hazard.
- Do not place any heavy objects on the mains cord or the speakers.

Foot pieces

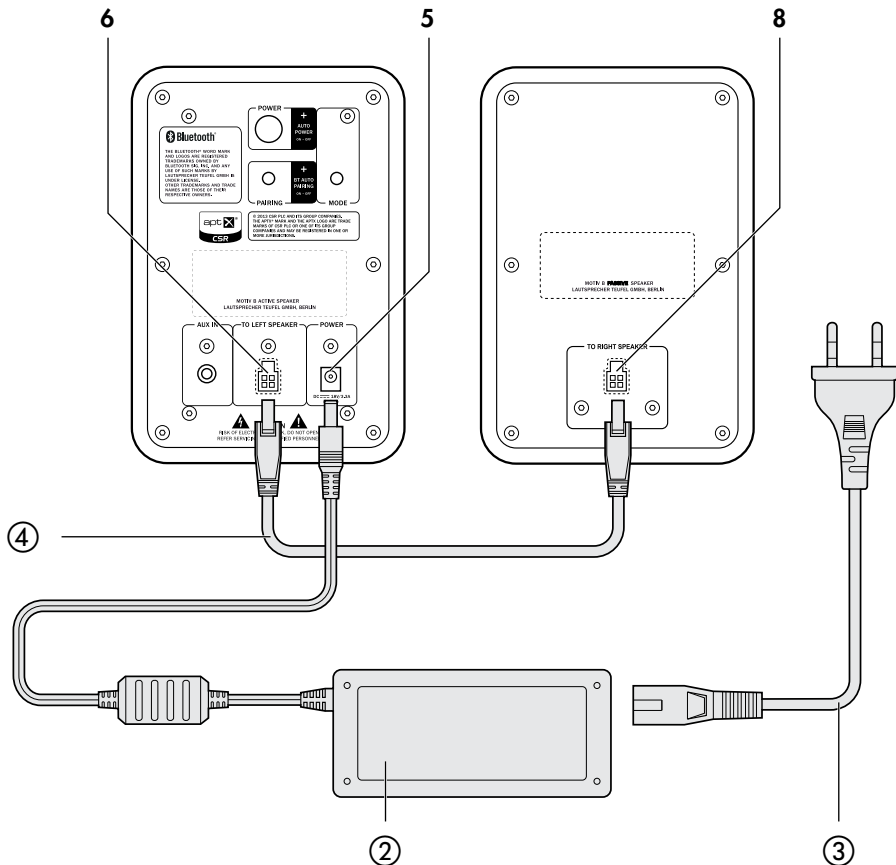
You can use the foot pieces ⑤ to set up the speakers with different inclines:



Connecting the speakers

1. Connect the speaker jacks **6** and **8** via the connector cable **4**. The plugs only fit in one direction.
2. Insert the small plug of the mains adapter **2** in the jack **5 POWER**.

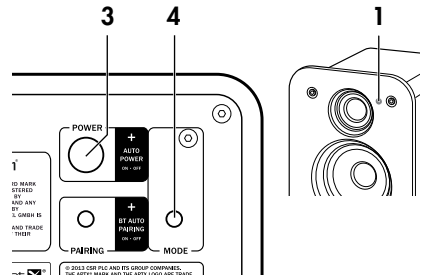
3. Use the mains cord **3** to connect the mains adapter with an easily accessible mains socket.
The control LED **1** illuminates in green.



Operation

Activating/standby mode

- **Activating**
Briefly push the On/Standby button **3** **POWER**.
The control LED **1** will illuminate in green.
- **Switch to standby mode:**
Briefly push the On/Standby button **3** **POWER**.
The control LED **1** will turn off.



Sleep mode

When sleep mode is activated, the device will automatically turn on and off. If the device does not receive a signal for 20 minutes, it will automatically switch to sleep mode and the control LED **1** will turn off.

The device is operational, but the amplifier has been deactivated to save power. As soon as an audio signal is present via Bluetooth® or the input **7 AUX IN**, the amplifier will activate and playback will begin.

Note: Power consumption in standby is
– 1.0 W when sleep mode is enabled
– 0.4 W when sleep mode is disabled

Enabling and disabling sleep mode

1. Push and hold down the button **4** **MODE**.
The control LED **1** illuminates in orange.
2. Briefly push the button **3** **POWER**:
If the control LED **1** blinks three times, sleep mode has been enabled.
If the control LED **1** blinks once, sleep mode has been disabled.

Volume



Danger to hearing!

Before starting playback,

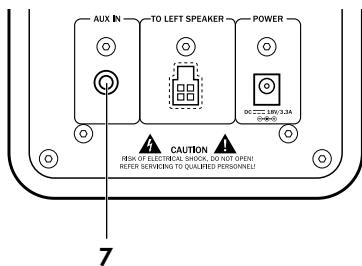
check the volume on your source device. Otherwise, playback from the Motiv B may be extremely loud. You must **not** operate Motiv B on source devices with **fixed output level**. These include eg. CD, DVD or Blu Ray player with RCA outputs, which in general have no volume control.

Set the volume on the source device.

Audio input

You can connect almost any audio source such as computers, MP3 players, video game consoles, televisions etc. to the 3.5 mm jack plug **7 AUX IN**. Outputs of this type are configured either as 6.3 or 3.5 mm jack plugs. Use a corresponding connector cable to connect these devices to the jack **7 AUX IN**.

You can obtain suitable connector cables from our webshop in the "Accessories" area.



Playback will start automatically a few seconds after you turn on the Motiv B.

Please keep in mind that music via Bluetooth® has priority over the AUX input. If you have connected an analogue audio source such as the headphone output of your computer to the input **7 AUX IN** and are now establishing a Bluetooth® connection, the device will automatically switch to the Bluetooth® connection.

Bluetooth® mode

Your Motiv B is capable of receiving audio signals from source devices via the Bluetooth® radio system. Most mobile phones and a large number of PCs, laptops and tablet PCs are equipped with this radio system. Your Motiv B is capable of receiving signals in accordance with the A2DP standard and high-quality aptX®.

The range amounts to approx. 10 metres, but is restricted by walls and furniture. Other devices that also use the 2.4 GHz frequency band (e.g. cordless telephones, WLAN) may reduce the range.

Bluetooth® pairing

For audio playback of your device via your Motiv B using the Bluetooth® function, you must pair the two devices. The technical term for this is "pairing".

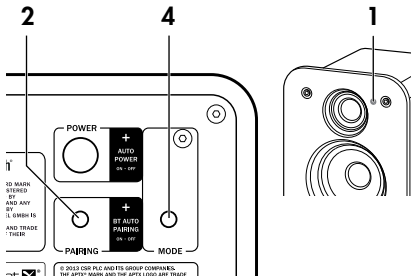
The operating instructions of your source device will explain how to switch your source device to Bluetooth® playback.

With "automatic pairing", your Motiv B is capable of accepting all connection attempts (see next page).

For "manual pairing", push the button **2 PAIRING** on the Motiv B to establish a connection.

Activating and deactivating automatic pairing

1. Push and hold down the button **4** **MODE**.
The control LED **1** illuminates in orange.
2. Briefly push the button **2 PAIRING**:
If the control LED **1** blinks three times, automatic pairing is activated.
If the control LED **1** blinks once, automatic pairing has been deactivated.



Manual pairing

1. Turn on the Motiv B and wait until the control LED **1** illuminates in green.
2. Push the button **2 PAIRING**.
The control LED **1** illuminates in orange.
3. Start the pairing process on your Bluetooth® source device.
If your source device requires a password or pass code, enter "0000" (four zeros).
4. Your source device will display a corresponding message once pairing is complete.

The devices have now been paired and are ready for audio playback via Bluetooth®.

Playback

Once you have paired your smartphone, tablet or PC with your Motiv B, simply activate audio playback via Bluetooth® and enjoy the powerful sound of the Motiv B.

1. Start your playback program, e.g. iTunes, Media Center or Music.
2. Switch to Bluetooth® playback and check the volume on your source device.
3. Start playback.
All sounds are played via your Motiv B now.

Please note that simultaneous playback from multiple source devices is not possible.

Stopping playback

Push the stop button on your source device to stop playback. The Bluetooth® connection will, however, remain intact. To release the Motiv B for other source devices, disconnect the Bluetooth® device "Motiv B" from your source device.

Care and cleaning

Please use a soft, damp microfibre cloth for cleaning. Please be absolutely sure to observe the following notes in the process:

Danger Risk of electric shock!



In contact with live parts, water can lead to electric shock or short circuit.

- Make sure that no liquid penetrates the device or mains adapter.
- Before cleaning, always disconnect the mains plug from the socket.

Attention Risk of damage!



Using the wrong cleaning agents may damage the delicate surface of the case.

- If possible, only use plain water without any additives. A mild soapy solution is ideal for removing stubborn spots.
- Do not in any case use aggressive cleaning agents, spirits, thinner, petrol or the like for cleaning.

Protecting the environment

Disposing of the device



Old devices must not be disposed of with household waste!

If the device is no longer operational, every consumer is required by law to dispose of old devices separately from household waste, e.g.

at a collection point run by the communal authority/borough. This ensures that old devices are recycled in a professional manner and also rules out negative consequences for the environment. For this reason, electrical equipment is marked with the following symbol.

Troubleshooting

The following advice should help you to solve problems. If this does not help, you will find useful information in the detailed FAQs on our website. Otherwise, please contact our hotline (see page 3). Take note of the warranty instructions.

| Problem | Possible cause | Solution |
|--|--|--|
| Device is not working, the control LED is dark. | No power supply. | Check to make sure that the mains adapter and cord are properly connected. |
| | | Check the function of the socket with another device. |
| No sound. | No connection. | Establishing a connection (see page 11). |
| | Motiv B has not been selected as the output device. | Select the Motiv B as the output device via Bluetooth® (see page 12). |
| | Bluetooth® connection impaired by another radio system (e.g. cordless telephone, WLAN). | Set up the Motiv B and/or source device in another location. Move to another room to test. |
| No audio transmission via cable (AUX IN) possible. | Motiv B also receives signals via Bluetooth®. This stream has priority over the cable input. | Terminate the Bluetooth® stream (see page 12). |
| | Volume of the source device or playback program has been set to zero. | Carefully increase the volume on the source device or in the playback program. |

Declaration of conformity



EG-Konformitätserklärung EU-Declaration of Conformity

Hiermit bestätigen wir, dass das nachfolgend bezeichnete Gerät den angegebenen-Richtlinien entspricht.

We herewith confirm that the appliance as detailed below complies with the mentioned directives.

Artikelbezeichnung: Motiv B

Article description:

Firmenanschrift: Teufel Lautsprecher GmbH
Company address Bülowstraße 66
D-10783 Berlin

Einschlägige EG-Richtlinien / Governing EU-directives / Directives CE concernées :

- | | |
|--|---|
| <input checked="" type="checkbox"/> 1. Elektromagnetische Verträglichkeit (EMV) Electromagnetic compatibility (EMC) 2004/108/EC | <input checked="" type="checkbox"/> 2. Niederspannungs-Richtlinie Low-voltage directive 2006/95/EC |
| <input type="checkbox"/> 3. Sicherheit von Spielzeug Safety of toys 89/378/EEC, amended 93/68/EEC | <input type="checkbox"/> 4. Medizinprodukte (Klasse 1) Medical device directive (Class 1) 93/42/EEC |
| <input checked="" type="checkbox"/> 5. Funkanlagen und Telekommunikationsendrichtungen Radio and Telecommunication Terminal Equipment R&TTE 1999/5/EC | <input checked="" type="checkbox"/> 6. Ökodesign – Richtlinie Energy – Using – Product – Directive (EuP) 2009/125/EEC |
| <input checked="" type="checkbox"/> 7. Richtlinie zur Beschränkung der Verwendung bestimmter gefährlicher Stoffe in Elektro- und Elektronikgeräten (Rohs- Richtlinie 2011/65/EC) | |

Harmonisierte EN-Normen / Harmonised EN-Standards

Der Artikel entspricht folgenden, zur Erlangung des CE-Zeichens erforderlichen Normen.
The article complies with the standards as mentioned below which are necessary to obtain the CE-symbol

DIN EN 55013: 2001+A1: 2003+A2: 2006
DIN EN 55020: 2007+A11: 2011
DIN EN 55022: 2010
DIN EN 6100-3-2: 2010
DIN EN 61000-3-3:2009
DIN EN 60950-1:2006+A11: 2009+A1: 2010+A12: 2011
DIN EN 62321:2009
ETSI EN 301489-1 V1.9.2 (2011-09)
ETSI EN 301489-9:V1.4.1 (2002-08)
ETSI EN 301489-17 V 2.2.1 (2012-09)
Verordnung 1275/2008
Verordnung 278/2009

Edgar van Velzen

Geschäftsführer

Ausstellungsdatum / Date of issue: 24. März 2014

Technical data

| | |
|-----------------------------------|-----------------------|
| Operating voltage: | 100 V - 240V~ / 50 Hz |
| Power consumption: | |
| – maximum | 75 W |
| – in standby (sleep mode enabled) | 1,0 W |
| (sleep mode disabled) | 0,4 W |
| Dimensions (W x H x D): | 130 x 180 x 146 mm |
| Net weights: | |
| – right speaker | approx. 1680 g |
| – left speaker | approx. 1550 g |

You can find additional technical data in the product description on our website at www.teufelaudio.com.

Technical changes reserved!

Teufel

Please contact our customer service with any questions, suggestions or criticism:

Lautsprecher Teufel GmbH
Gewerbehof Buelowbogen - Aufgang D1
Buelowstr. 66
10783 Berlin (Germany)

Tel.: 00800 - 200 300 40 (free of charge)
Fax: +49 (0)30 - 300 930 930
www.teufelaudio.com

No responsibility is assumed for the correctness of this information.
Technical changes, typographical errors and other errors reserved.

Instruction no. 92636 GB 20140415