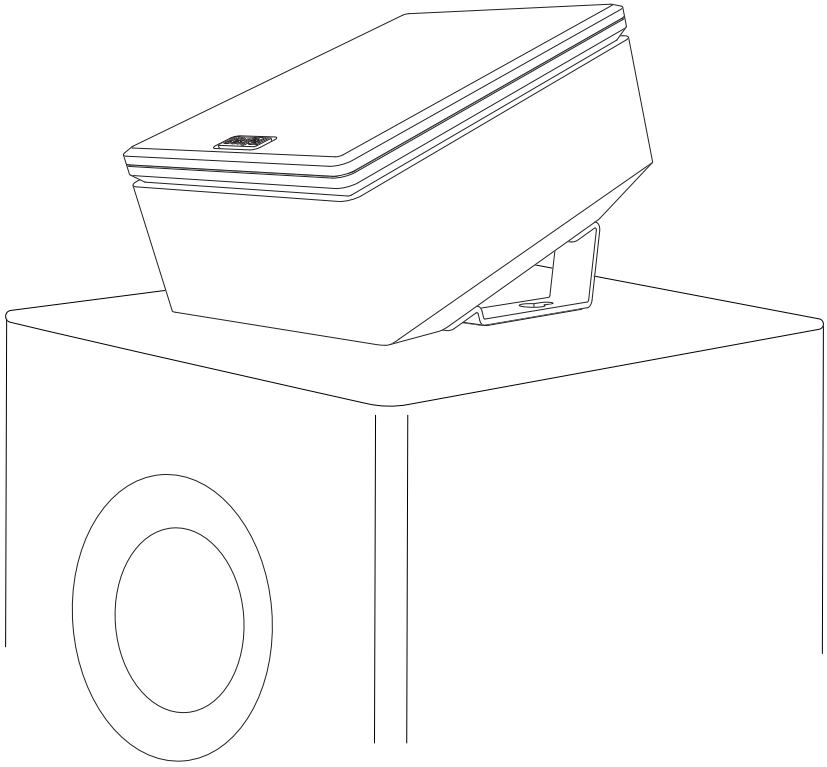


Technical Description And User Manual



Reflect

Dolby® Atmos Ceiling Speakers

Teufel

Contents

General Notes And Information	3
Notice	3
Trademarks	3
Original packaging	3
Complaints	3
Contact	3
For Your Safety	5
Proper use	5
Explanation of terms.....	5
Safety notes	5
Explanation of symbols.....	7
Overview	8
Unpacking.....	8
Package contents	8
Checking the package contents...	8
Dolby Atmos	9
Satellite speakers	9
Preparation	10
Mounting plate.....	10
Setup/Mounting	11
Location tips	11
Setup	11
Wall mounting	11
Connecting.....	13
Care And Cleaning	14
Technical Data	15

General Notes And Information

Notice

The information in this document may change without prior notice and in no way constitutes any liability on the part of Lautsprecher Teufel GmbH.

No part of this user manual may be reproduced in any form or be broadcasted in any way electronically, mechanically, by photocopy or recording without the written permission of Lautsprecher Teufel GmbH.

© Lautsprecher Teufel GmbH
Version 1.0, October 2017

Trademarks

® All trademarks are the property of their respective owners.



Manufactured under licence from Dolby Laboratories. **DOLBY**, **DOLBY ATMOS** and the double D symbol are trademarks of Dolby Laboratories.

Original packaging

If you wish to exercise your eight-week right of return, we ask that you be absolutely sure to hold onto the packaging. We can only accept product returns with the ORIGINAL PACKAGING.

Empty boxes are not available!

Complaints

In case of a complaint we will need the following information to process your enquiry:

1. Invoice number

Can be found on the sales slip (enclosed with the product) or on the order confirmation received as a PDF document, e.g. 4322543.

2. Serial number or batch number

Located on the back side of the device, e.g. serial no.: KB20240129A-123.

Thank you for your support!

Contact

Please contact our customer service department with any questions, suggestions, or complaints:

Lautsprecher Teufel GmbH

BIKINI Berlin

**Budapester Straße 44
10787 Berlin (Germany)**

Phone: 00800 200 30040 (toll-free)

Fax: +49 (0)30 / 300 930 930

Online support:

www.teufelaudio.com/service

Contact form:

www.teufelaudio.com/contact



Before operating the product for the first time, please read the safety notes and user manual carefully. Only in this way, can you ensure that all functions are used in a safe and reliable manner. Store the user manual in a safe place and also be sure to pass it on to any subsequent owner.

NOTICE

Check that all items have been delivered and that nothing is damaged. If you find any damage, do not operate the device; instead contact our customer service department.

For Your Safety

Proper use

The speakers are designed to supplement the playback of music and speech from an external player with Dolby Atmos support.

Only use the speakers as described in this user manual. Any other use will be deemed as not in accordance with the instructions and may lead to damage of property or even persons.

The manufacturer accepts no liability for damage caused by improper use.

The speakers are intended for domestic use only.

Explanation of terms

You can find the following signal terms in this user manual:

CAUTION

This signal term indicates a low risk, which, if not avoided, may result in minor or moderate injury.

NOTICE

This signal term warns you of potential damage.

Safety notes

This chapter contains general safety notes which you should always observe to protect yourself and third parties. Also observe the warning notes in each chapter of this user manual.

- Only use the accessory products specified by the manufacturer.
- Never modify the device. Unauthorised modifications may affect the safety and functionality.

An unsuitable setup location may result in injury and damage.

- If the speakers are not securely mounted, do not use them in vehicles, in unstable locations, on wobbly tripods or furniture, on underdimensioned brackets etc. The speakers may tip or fall over and cause injury to persons or be damaged themselves.
- Place the speakers in such a way that they cannot be knocked over inadvertently and make sure that the cables do not pose a tripping hazard.
- Carefully follow the user manual.
- Make sure that the wall mounting is done in a professional manner.
- In case of a wall mounting, verify the carrying capacity of the walls and make sure that there are no cables or pipes in the drilling areas.

Before you drill, use a metal detector to check the applicable areas. Otherwise, there is a risk of electric shock/short circuit!

- Do not place the speakers near heat sources (e.g. heaters, ovens, other heat generating equipment such as amplifiers etc.).

An unstable base may cause the unit to tip and injure or even kill persons, children are particularly at risk. You can prevent a large number of accidents by taking the following precautions:

- If you want to use underframes or speaker stands, only use those recommended by the manufacturer.
- When storing the product, also ensure that it stands safely and that it cannot be knocked down or over.

Children can become trapped in the plastic wrapping when playing and suffocate.

- Do not allow children to play with the device or the plastic wrapping. There is a danger of suffocation.
- Ensure that children do not remove small parts from the device or take them off of the device (e.g. control knobs or plug adapters). They could swallow the parts and choke.
- Never allow children to operate electrical equipment unsupervised.

 **CAUTION**



Extended listening at high volumes may lead to hearing loss.

- To avoid damage to health, avoid extended listening at high volumes.
- When the volume is set high, always keep a certain distance from the device and never place your ear directly on the speaker.
- If the AV receiver is set to full volume, it may produce very high sound pressure. This may have psychic consequences and also cause physical injury. Children and pets are particularly at risk. Set your signal source device volume control to a low setting before turning on the power.

 **CAUTION**



This product contains magnetic material.

- Keep magnetically sensitive objects (e.g. credit cards etc.) away from the speakers.
- If necessary, consult your physician and ask for effects on implants such as pacemakers or defibrillators.

NOTICE


Improper use may lead to damage or fire.

- Do not place open flames such as burning candles or similar on the device.
- Do not place the device in direct sunlight.
- Only use the device indoors.
- Do not operate the device in wet rooms and protect it from dripping and splashing water. Make sure that no vases or other liquid-filled objects are located on or near the device in order to prevent liquid from penetrating the housing.

Explanation of symbols



Old devices must not be disposed of with household waste!

 Electrical equipment contains harmful substances and valuable resources.

Every consumer is required by law to bring all old electrical devices to an authorised collection or return point so that they can be disposed of in a manner that is environmentally friendly and which preserves resources.

You can hand old electrical devices over to the local reusable materials/recycling centre.

Please contact your vendor directly for more information about this topic.

Overview

Unpacking

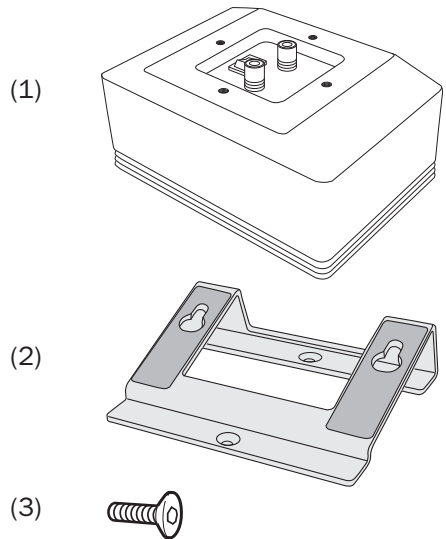
- Carefully open the box, take out the EPE foam half-shell and carefully lift the speakers out of the box.

Package contents

- (1) 2x Reflect ceiling speaker
- (2) 2x mounting plate
- (3) 4x screw

Checking the package contents

- Check that all items have been delivered and that nothing is damaged.
- If the delivery is incomplete or the device has been damaged, please contact our service team (see 3).
- Do not in any case operate the device if it is damaged.



Dolby Atmos

Conventional Surround Sound systems generate surround sound in a horizontal direction. With Dolby Atmos systems, sound is also projected from above now: Ceiling speakers add even more surround sound.

With the Reflect speakers, you can upgrade a 5.1 installation to Dolby Atmos. This would convert the system into a 5.1.2 or 5.1.4 system where the last number generally indicates the number of ceiling speakers. The middle number is the number of the subwoofers.

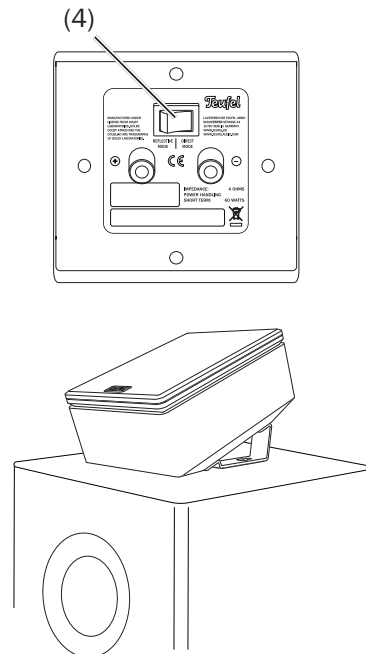
This requires a corresponding AV receiver, which has a decoder and separate speaker outputs for Dolby Atmos.

The Reflekt speakers are simply placed on the existing front and/or rear speaker so that they emit the sound diagonally to the ceiling. The sound waves are then reflected to the listener. That's why sound-reflecting ceiling material is required – this can be plasterboard or chipboard.

Satellite speakers

You can also use the Reflect speakers as normal satellites (e.g. as a 2.1 or a 5.1 system). The toggle (4) on the back of the speakers serves this purpose:

- A special frequency response is required for Dolby Atmos mode (“REFLECT MODE”).
- For satellite mode, set the switch to “DIRECT MODE” where the speaker has a linear frequency response.



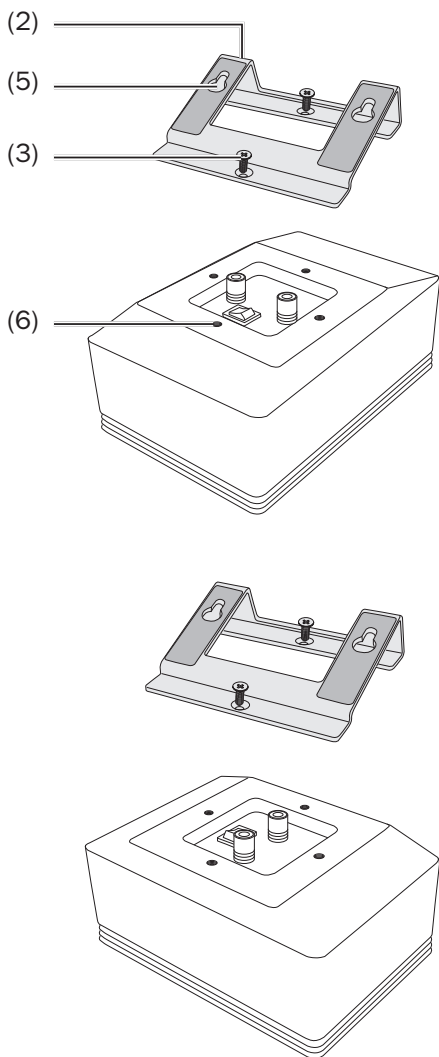
Preparation

Mounting plate

You can install the mounting plate (2) in two positions so that can set up the Reflect speaker in an upright position or on its side.

- To set up the speakers on existing speakers, the bottom of the mounting plates is fitted with a non-slip rubber layer.
- The keyhole openings (5) in the mounting plate are intended for wall mounting.

1. Place the mounting plate in the desired direction on the back of the Reflect speaker.
2. Use two screws (3) to firmly screw the mounting plate into the threaded holes (6) on the speaker.



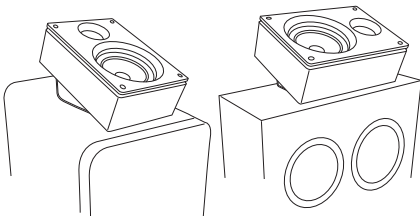
Setup/Mounting

Location tips

- Select a stable, level base. In case of wall mounting, follow the instructions in the next chapter.
- Make sure that the environment is clean and free from dust.
- Select a location away from heat sources and direct sunlight.
- Do not place any heavy objects on the cables or the device.

Setup

Set up the Reflect speakers in an upright or lateral position onto the existing speaker boxes. The Reflect speakers should be in a diagonal position pointing up to the ceiling.



Wall mounting

Proceed with care when mounting the product on the wall and follow the instructions below.

You will need the following material to mount the product on a solid stone wall (not included in the package contents):

- 2 dowels (ø 5 mm)
- 2 screws, 4 x 45 mm, screw head = ø approx. 8 mm

⚠ CAUTION

Risk of injury/damage!

- *Only qualified persons may mount the Reflect speakers on the wall.*
- *They may only be mounted on a suitable, solid wall. Special dowels or anchors may be necessary when mounting the product on lightweight walls. Consult a qualified professional in this case.*
- *Make sure that there are no cables or pipes in the drilling areas. Before you drill, use a metal detector to check the applicable areas.*

1. Space the two keyhole openings (5) in the wall where you would like to mount the Reflect speaker. Use a ruler, pencil and spirit level for this.
2. Use a metal detector to check the drill areas. If necessary, select another area for mounting.
3. Use a 5 mm rock drill to drill holes, which are approx. 40 mm deep, at the marked positions.
4. Insert 2 dowels (ø 5 mm) all the way in the drill holes.
5. Screw one screw (4 x 45 mm) into each dowel until there is approx. 5 mm of space between the wall and the screw head.
6. Press the Reflect speaker up against the wall so that the screws fit into the keyhole openings (5).
7. Now pull the Reflect speaker down so that the screws slip into the small slot.
8. If applicable, screw the screws further in or out until the Reflect speaker is securely mounted on the wall.

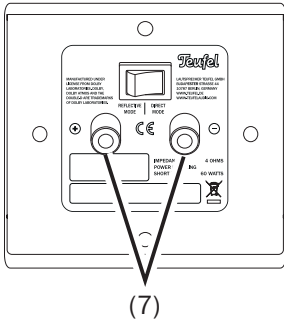
Connecting

CAUTION

Risk of injury/damage!

– Lay the cables so that they do not pose a tripping hazard.


1. Lay speaker cables from your AV receiver to each Reflect speaker. If possible, use high-quality dual core speaker cables with a diameter of at least 1 mm² to do so.
2. On the back of each speaker there is a connection terminal with two pole clamps (7). You can connect the speaker cable directly here or using pin plugs. Direct connection only is described here. The terminals are marked in red (+) and black (-).



NOTICE

Make sure the polarity is correct!

– Connect each of the like coloured terminals with one another; otherwise the sound quality will suffer. To facilitate this, the individual single wires of the speaker cables are marked with different colours or shapes.

3. Split the wire down by approx. 30 mm on both ends and remove approx. 10 mm of insulation each.  Twist the single wire so that no strands are protruding.
4. Turn the connector terminal counterclockwise until loose. Run the stripped cable end into the now visible hole. Close the terminal by turning it counter-clockwise. The cable has now been clamped in place.
5. Connect the other end of the speaker cable to the clamps of your AV receiver.

Care And Cleaning

NOTICE

External influences may damage or destroy the device.

- *If possible, only use plain water without any additives. In case of stubborn marks, a mild soap solution may be used.*
- *Do not use caustic cleaning products, white spirit, thinners, petrol or similar under any circumstances. Such cleaning agents may damage the delicate surface of the housing.*
- Ideally, you should remove dust or small amounts of dirt with a dry, smooth leather cloth.
- Use a damp cloth to rub off stubborn dirt. Make sure that no liquid penetrates the housing.
- Then immediately wipe the damp surfaces off with a soft cloth without applying pressure.

Technical Data

Dimensions (WxHxD) without mounting plate	130 x 85.5 x 184 mm
Weight	1.45 kg

You can find further technical data on our website. Technical changes reserved!

Teufel

Please contact our customer service department with any questions, suggestions, or complaints:

Lautsprecher Teufel GmbH
BIKINI Berlin
Budapester Straße 44
10787 Berlin (Germany)

Phone: 00800 200 300 40 (toll-free)

Fax: +49 (0)30 / 300 930 930

Online support: www.teufelaudio.com/service

Contact form: www.teufelaudio.com/contact

No responsibility is assumed for the correctness of this information.
Technical changes, typographical errors and other errors reserved.