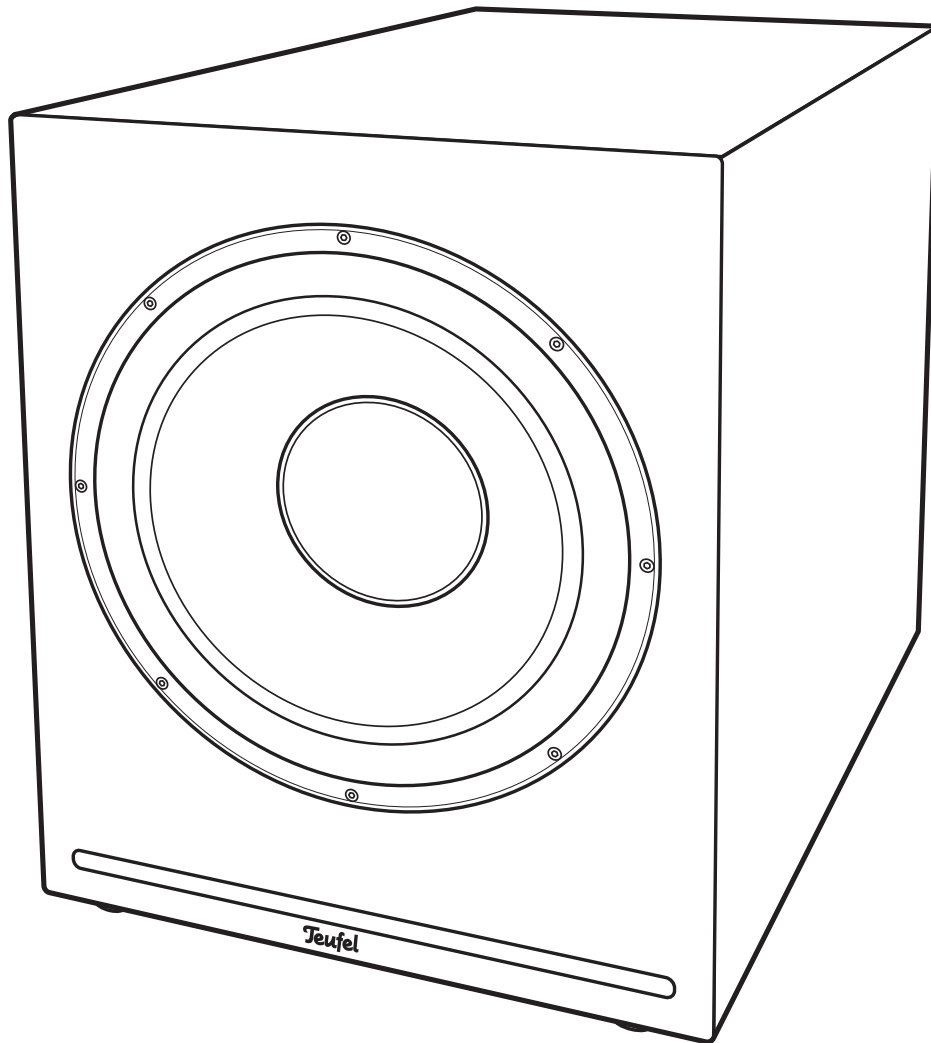


Technical Description And User Manual



S 6000 SW THX[®] Select

Active subwoofer with THX[®] select certificate and wireless technology

Teufel

Contents

General Notes And Information	3	Connecting.....	10
Notice	3	Audio connection	10
Trademarks	3	Connection via SUB IN	10
Original packaging.....	3	Wireless connection	10
Complaints.....	3	Mains connection	10
Contact.....	3	Use And Settings	11
Proper use.....	3	Activating and deactivating.....	11
For Your Safety	4	Automatic activation/deactivation	11
Signal terms.....	4	Establishing a wireless connection	11
Safety notes	4	Adjusting the volume.....	12
Warning of damage to property.....	5	Configuring the sound pattern	12
Explanation of symbols	6	Adjusting the amplifier and subwoofer.....	12
Overview	6	Amplifier settings	12
Unpacking	6	Subwoofer settings.....	12
Package contents	6	Care And Cleanings	13
Optional accessories	6	Troubleshooting	14
Checking the package contents	6	Technical Data	15
Operational Controls And Connections	7	Declaration of Conformity.....	15
Back side.....	7		
Setup/Mounting	8		
Setup location.....	8		
Location tips.....	8		
Protective cover	8		
Optional metal grid.....	9		

General Notes And Information

Notice

The information in this document may change without prior notice and in no way constitutes any liability on the part of Lautsprecher Teufel GmbH.

No part of this user manual may be reproduced in any form or be broadcasted in any way electronically, mechanically, by photocopy or recording without the written permission of Lautsprecher Teufel GmbH.

© Lautsprecher Teufel GmbH

Version 1.0

January 2018

Trademarks

® All trademarks are the property of their respective owners.



THX SELECT and the THX logo are trademarks of THX Ltd., which are registered in some jurisdictions. All rights reserved.

Original packaging

If you wish to exercise your eight-week right of return, we ask that you be absolutely sure to hold onto the packaging. We can only accept the return of the speakers WITH THE ORIGINAL PACKAGING.

Empty boxes are not available!

Complaints

In case of a complaint we will need the following information to process your enquiry:

1. Invoice number

Can be found on the sales slip (enclosed with the product) or on the order confirmation received as a PDF document, e.g. 4322543

2. Serial number or batch number

Located on the back side of the device, e.g. serial no.: KB20240129A-123.

Thank you for your support!

Contact

Please contact our customer service department with any questions, suggestions, or complaints:

Lautsprecher Teufel GmbH

BIKINI Berlin

Budapester Str. 44

10787 Berlin (Germany)

Phone 00800 200 300 40 (toll-free)

Fax +4930 / 300 930 930

www.teufelaudio.co.uk/contact.html

Proper use

The active subwoofer is designed for the playback of music and speech from an external player.

Only use the subwoofer as described in this user manual. Any other use will be deemed as not in accordance with the instructions and may lead to damage of property or even persons.

The manufacturer accepts no liability for damage caused by improper use.

The subwoofer is intended for private use.



Before operating the subwoofer for the first time, please read the safety notes and user manual carefully. This is the only way to use all functions safely and reliably. Store the user manual in a safe place and also be sure to pass it on to any subsequent owner.

NOTICE

Check that all items have been delivered and that nothing is damaged. If you find any damage, do not operate the device; instead contact our customer service department.

For Your Safety

Signal terms

You can find the following signal terms in this user manual:

WARNING

This signal term indicates a moderate risk, which, if not avoided, may result in death or severe injury.

CAUTION

This signal term indicates a low risk, which, if not avoided, may result in minor or moderate injury.

NOTICE

This signal term warns you of potential damage.

Safety notes

This chapter contains general safety notes which you should always observe to protect yourself and third parties. Also observe the warning notes in each chapter of this user manual.

Improper electrical installation or excessive mains voltage may result in an electrical shock.

- The device is suitable for a mains voltage of 230V ~ / 50 Hz. When connecting the device, make sure that the correct voltage is present. You can find more information about this on the rating plate.
- Check the device regularly for damage. Immediately disconnect the mains plug and do not operate the device if its housing or mains cord is defective or exhibits other visible damages.
- If the mains cord of the device is damaged, replace it with an equivalent original mains cord.
- This device can only be completely disconnected from the grid by pulling the mains plug. Thus, make sure that the mains plug is always easily accessible.
- If the device emits smoke, smells burnt or produces unusual sounds, immediately disconnect it from the mains and do not operate it further.
- Never open the device housing. Repairs may only be carried out by an authorised

specialist workshop. Only parts that match the original specifications may be used.

- Only use the accessory products specified by the manufacturer.
- Only use the device indoors.
- Do not operate the device in wet rooms and protect it from dripping and splashing water. Make sure that no vases or other liquid-filled objects are located on or near the device in order to prevent liquid from penetrating the housing. If water or other debris ends up penetrating the housing, immediately pull the mains plug and, if applicable, take out any batteries. Then send the device to our service address.
- Never modify the device. Unauthorised modifications may affect the safety and functionality.
- Never touch the mains plug with wet hands.

An unsuitable setup location may result in injury and damage.

- If the subwoofer is not securely mounted, do not use it in vehicles, in unstable locations, on wobbly tripods or furniture, on underdimensioned brackets etc. The speaker may tip or fall over and cause injury to persons or be damaged itself.
- Place the subwoofer in such a way that it cannot be knocked over inadvertently and make sure that the cables do not pose a tripping hazard.
- Do not place the subwoofer near heat sources (e.g. heaters, ovens, other heat generating equipment such as amplifiers etc.).
- Do not use the device in environments where there is a risk of explosion.
- Only use the subwoofer without any cables in locations where wireless radio transmission is allowed.

An unstable base may cause the unit to tip and injure or even kill persons, children are particularly at risk. You can prevent a large number of accidents by taking the following precautions:

- Only place the subwoofer on the floor.
- If you want to use underframes or speaker stands, only use those recommended by the manufacturer.
- When storing the product, also ensure that it stands safely and that it cannot be knocked down or over.

Children can become trapped in the plastic wrapping when playing and suffocate.

- Do not allow children to play with the device or the plastic wrapping. There is a danger of suffocation.
- Ensure that children do not remove small parts from the device or take them off of the device (e.g. control knobs or plug adapters). They could swallow the parts and choke.
- Never allow children to operate electrical equipment unsupervised.

⚠ CAUTION



Extended listening at high volumes may lead to hearing loss.

- To avoid damage to health, avoid extended listening at high volumes.
- When the volume is set high, always keep a certain distance from the device and never place your ear directly on the speaker.
- If the AV receiver is set to full volume, it may produce very high sound pressure. This may have psychic consequences and also cause physical injury. Children and pets are particularly at risk. Set your signal source device volume control to a low setting before turning on the power.

⚠ CAUTION



This product contains magnetic material.

- Keep magnetically sensitive objects (e.g. credit cards etc.) away from the speakers.
- If necessary, consult your physician and ask for effects on implants such as pacemakers or defibrillators.

Warning of damage to property

NOTICE

If the device is subjected to warm temperatures after being cold (e.g. after transport), condensation may occur inside of it.

- In this case, wait at least 2 hours before you connect and activate it.

Improper use may lead to damage or fire.

- Do not place open flames such as burning candles or similar on the device.
- Ensure sufficient ventilation.
- Do not place the device in direct sunlight.
- Only use the device indoors.
- Do not operate the device in wet rooms and protect it from dripping and splashing water. Make sure that no vases or other liquid-filled objects are located on or near the device in order to prevent liquid from penetrating the housing.

The isolation pads can produce discolouration on sensitive surfaces.

- On parquet, varnished wood and similar surfaces, you should stick felt gliders to the rubber feet of the speakers or put blankets or small carpets under them. This will prevent discolouration of the floor over the long term.

Explanation of symbols

	Protection class II Dual insulation
	Risk of electrical shock – do not open the housing. Disconnect the mains cord before changing a fuse.
	Delayed action 2 ampere fuse, low breaking capacity, 250 volts

	Old devices must not be disposed of with household waste!
	If the device is no longer operational, every consumer is required by law to dispose of old devices separately from household waste, e.g. at a collection point run by the communal authority/borough. This ensures that old devices are recycled in a professional manner and also rules out negative consequences for the environment.
	For this reason, electrical equipment is marked with the adjacent symbol.

Overview

Unpacking

- Carefully open the box, take out the EPE foam half-shell and carefully lift the speaker out of the box.

Package contents

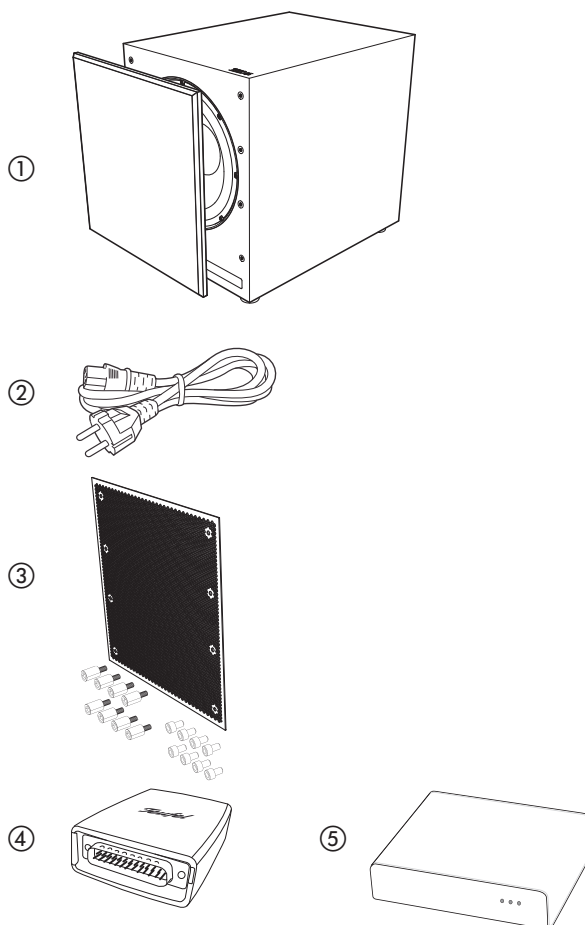
- ① 1x subwoofer with protective cover
- ② 1x mains cord for the subwoofer
- ③ Protective metal grid with screws and pivots

Optional accessories

- ④ Subconnect receiver module
- ⑤ Subconnect transmitter

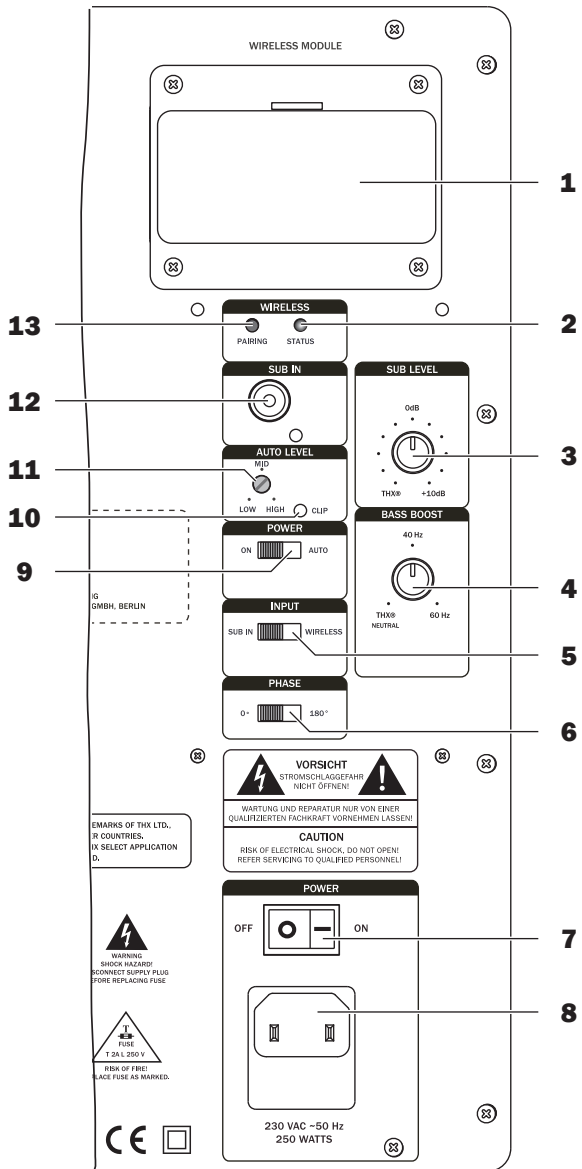
Checking the package contents

- Check that all items have been delivered and that nothing is damaged.
- If the delivery is incomplete or exhibits transport damages, please contact our service team (see page 3).
- Do not in any case operate the device if it is damaged.



Operational Controls And Connections

Back side



Item	Designation	Description
1	-	Bay for subconnect receiver module
2	STATUS	Status of the transmission path
3	SUB LEVEL	Adjust the subwoofer volume
4	BASS BOOST	Adjust the bass sound
5	INPUT	Switch between wireless/cordless operation
6	PHASE	Switch the phase
7	O I	Turn the device on/off
8	-	Mains connection
9	POWER	Automatic activation/deactivation or permanent activation
10	CLIP	Lights up in the event of over-modulation
11	AUTO LEVEL	Set the level for automatic activation/deactivation
12	SUB IN	RCA input jack
13	PAIRING	Pair the device with a transmitter
14	-	Power indicator

Setup/Mounting

Setup location

NOTICE

If the device is subjected to warm temperatures after being cold (e.g. after transport), condensation may occur inside of it.

- *In this case, wait at least 2 hours before you connect and activate it.*

The isolation pads can produce discolouration on sensitive surfaces.

- *On parquet, varnished wood and similar surfaces, you should stick felt gliders to the rubber feet of the speakers or put blankets or small carpets under them. This will prevent discolouration of the floor over the long term.*



Our website contains comprehensive notes for correct setup.

You should place the subwoofer on the floor as close as possible to the television. However, you can also set it up at another location in the room as the human ear is unable to localise low tones.

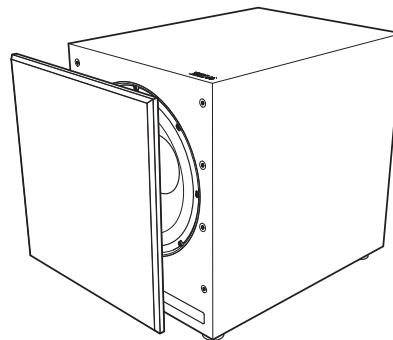
However, do not set it up in the corner of the room as this may result in uncontrollable frequency rises.

Location tips

- Select a stable, level base.
- Make sure that the environment is clean and free from dust.
- Select a location away from heat sources and direct sunlight.
- Lay the connector cords so that they do not pose a tripping hazard.
- Do not place any heavy objects on the cable or the devices.

Protective cover

You can take the protective cover off of the subwoofer by carefully reaching behind the protective cover and slowly pulling it off to the front.



NOTICE

Risk of damage!

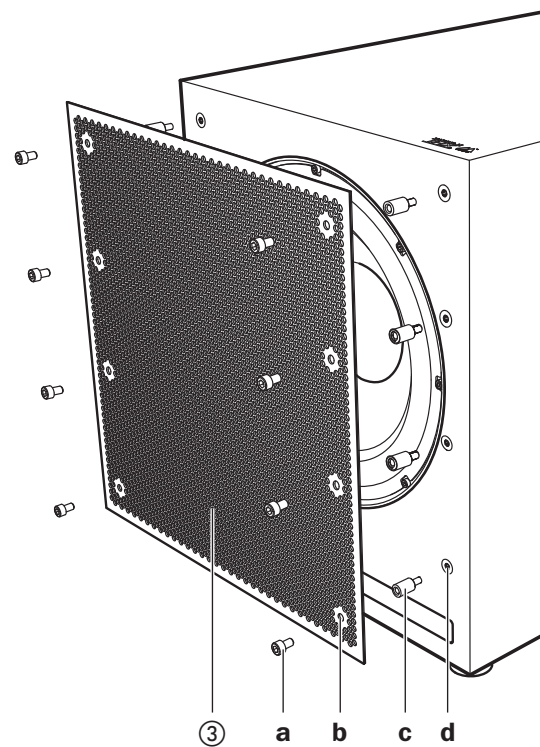
- *Make sure that you do not touch the highly sensitive diaphragms.*

When putting the protective cover on, please make sure that the installation pins slide directly into the corresponding jacks on the subwoofer.

Optional metal grid

A protective metal grid is also included in the package contents, which you can install instead of the protective cloth cover.

- You will need a AF5 hexagon key for the assembly:
1. From the front, insert one of the enclosed hexagon socket screws **(a)** through one of the mounting holes **(b)** in the grid ③.
 2. Screw one of the pivots **(c)** onto the screw.
 3. Repeat steps 1 and 2 for the other three mounting holes.
 4. Carefully place the grid on the subwoofer so that the pivots slide right into the corresponding jacks **(d)** on the subwoofer.



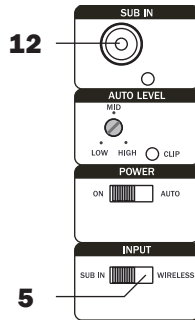
Connecting

Audio connection

You can connect the S 6000 SW THX® Select to your receiver with the SUB IN jack **(12)** using an RCA cable or connect wirelessly via the optional Subconnect receiver module **(4)**.

You can set the audio input of the subwoofer using the “INPUT” switch **(5)**:

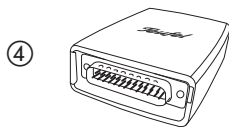
- “SUB IN” – If you have connected the subwoofer to the subwoofer output on your AV receiver.
- “WIRELESS” – If you have purchased a Subconnect receiver module and your AV receiver supports the wireless connection with the subwoofer (you can find a list of compatible devices on www.teufelaudio.com) or you can use the Subconnect transmitter.



Connection via SUB IN

Use a mono RCA cable (not included in the package contents) to connect the “SUB IN” jack **(12)** to the AV receiver’s subwoofer output.

Wireless connection

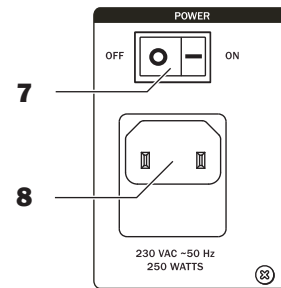


If you would like to establish connection between your amplifier and the S 6000 SW THX® Select, you can order a Subconnect receiver module **(4)** and, if applicable, a corresponding Subconnect transmitter in our webshop www.teufelaudio.com.

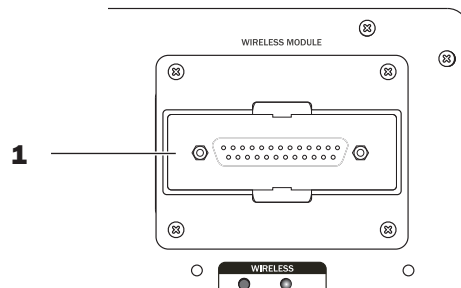
NOTICE

Risk of damage!

- Switch the subwoofer off with the mains switch **(7)** before you insert or pull out the module.



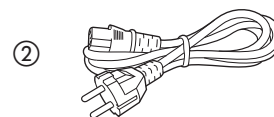
1. If applicable, switch your S 6000 SW THX® Select off with the main power switch **(7)** (“OFF” position).



2. Take the protective cap off of the bay **(1)**: For this, gently push on the protective cap from the top.
3. Insert the Subconnect receiver module **(4)** in the bay **(1)**. The module’s plug connector only fits the bay in one direction. Do not apply force. If necessary, turn the module around.
4. Put the protective cap back on the bay **(1)**.

Mains connection

1. If necessary, ensure that the main power switch POWER **(7)** is switched off (“OFF” position).

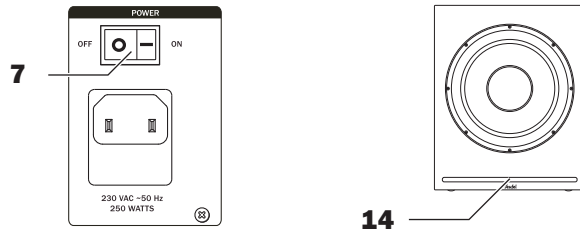


2. Insert the IEC power plug of the mains cord **(2)** into the jack **(8)**.
3. Insert the mains plug in a mains power socket (230 V ~ /50 Hz).

Use And Settings

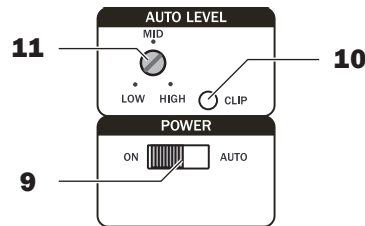
Activating and deactivating

- Use the switch **(7)** to switch the S 6000 SW THX® Select on and off.
The CLIP LED **(10)** will briefly illuminate in red during activation.
When switched on, the power indicator **(14)** will be illuminated in red.



Automatic activation/deactivation

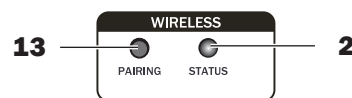
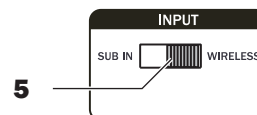
- You can switch the mode with the POWER switch **(9)**:
 - ON** The subwoofer is permanently switched on.
 - AUTO** The subwoofer switches itself on as soon as an audio signal is present. If there's no audio signal for approx. 20 minutes, the subwoofer switches to standby.
- If the auto-function doesn't switch correctly, you can use the AUTO LEVEL control **(11)** to increase the sensitivity (turn to the right) or decrease it (turn to the left). You will need a small screwdriver to do this.



Establishing a wireless connection

If you have installed the Subconnect receiver module for a wireless connection (see „Wireless connection“ on page 11), you can establish the connection to your amplifier as follows:

1. If applicable, slide the INPUT switch **(5)** to the “WIRELESS” position.
2. Switch your subwoofer and your wireless-compatible amplifier or also the Subconnect transmitter on.
The STATUS LED **(2)** will blink slowly and the devices will now automatically connect. An existing connection is indicated by the continuously illuminated STATUS LED **(2)**.



Proceed as follows to connect for the first time or if the devices do not connect automatically or the connection is interrupted:

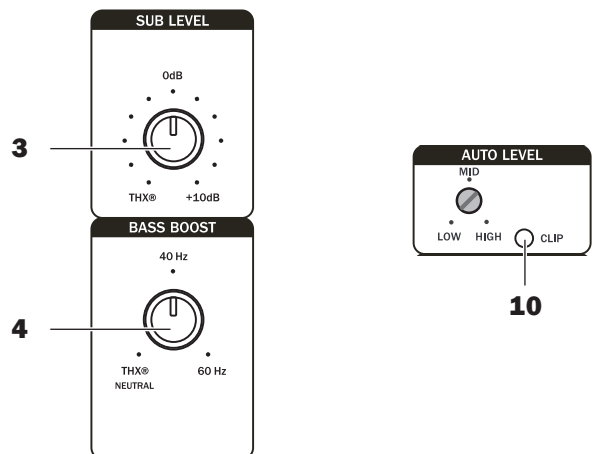
1. Hold down the PAIRING button **(13)** until the STATUS LED **(2)** blinks quickly.
2. Then perform the corresponding steps for your amplifier to establish the connection (for this, refer to the user manual for your amplifier).

Adjusting the volume

- Use the SUB LEVEL control **(3)** to adjust the volume of the subwoofer.
In the “THX®” setting, the subwoofer corresponds to the specifications of THX® Select.
- If the CLIP LED **(10)** lights up, the input signal is too high. In this case, reduce the subwoofer level on your amplifier.

Configuring the sound pattern

- Use the BASS BOOST control **(4)** to set the low tone sound pattern.
In the “THX®” setting, the subwoofer corresponds to the specifications of THX® Select.



Adjusting the amplifier and subwoofer

Most amplifiers provide a menu with settings for the speakers (called “Speaker Setup” or similar). By following our recommendations below, you can perfectly align the amplifier and the subwoofer:

Amplifier settings

If possible, use your amplifier’s calibration function so that it automatically adjusts the levels, phase and run times to the room. If your receiver doesn’t provide an automatic calibration function, the following values are recommended:

- Subwoofer to “On”.
- Crossover frequency for subwoofer (cut-off frequency) to 80–150 Hz depending on the connected speaker system.

Subwoofer settings

- POWER switch **(9)** to “AUTO”.
- SUB LEVEL control **(3)** to “THX®”.
- BASS BOOST control **(4)** to “THX®”.
- PHASE switch **(6)** to “0°”.

1. Perform an audio test now and adjust the “SUB LEVEL” control **(3)** until the subwoofer can be “easily heard”. However, it must not drone.
2. If any deep “hits” are too hard or too soft, adjust the setting of the BASS BOOST control **(4)** and/or the PHASE switch **(6)**.
3. Repeat these steps with different video and audio media.

NOTICE

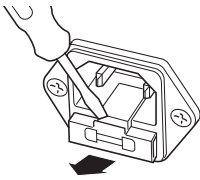
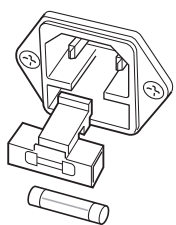
External influences may damage or destroy the device.

- *If the device is to be left unattended for a prolonged period of time (e.g. during a vacation) or if a thunderstorm is forecast, pull the mains plug out of the socket. Otherwise, sudden overvoltage could cause the device to become defective.*
- *If possible, only use plain water without any additives. In case of stubborn marks, a mild soap solution may be used.*
- *Do not use caustic cleaning products, white spirit, thinners, petrol or similar under any circumstances. Such cleaning agents may damage the delicate surface of the housing.*

- Ideally, you should remove dust or small amounts of dirt with a dry, smooth leather cloth.
- Use a damp cloth to rub off stubborn dirt. Make sure that no liquid penetrates the housing.
- Then immediately wipe the damp surfaces off with a soft cloth without applying pressure.

Troubleshooting

The following advice should help you to solve problems. If this does not help, you will find useful information in the detailed FAQs on our website. Otherwise, please contact our hotline (see page 3). Take note of the warranty instructions.


Problem	Possible cause	Solution
The subwoofer doesn't work.	The subwoofer is off or doesn't have any power.	Activate the subwoofer with the switch (7) . Check the power cord and socket.
	The level for automatic activation is set too low.	Use the AUTO LEVEL control (11) to increase the level. Try to set the switch (9) from "AUTO" to "ON".
	Fuse defective.	<div style="display: flex; justify-content: space-between;"> <div style="width: 45%;"> <p>1. </p> <p>Disconnect the mains cord. Carefully pull the fuse holder on the mains connection jack out.</p> </div> <div style="width: 45%;"> <p>2. </p> <p>Push the old fuse down and out. Insert a new fuse (2 A delayed action) and push the holder back.</p> </div> </div>
The subwoofer hums.	The subwoofer is connected to a different power circuit from the rest of the system.	Connect the subwoofer and amplifier/receiver to the same power circuit.
	The hum is due to line disturbance.	Buy a mains filter and connect both devices to it.
	The humming is caused by a multiple socket strip.	Use a different multiple socket strip or connect the subwoofer directly to the wall socket. It may also help to insert the mains plug in the socket the other way around.
The subwoofer is too quiet.	A small number of AV receivers provide a level that is too low at the subwoofer output.	In the menu of the AV receiver, set the subwoofer level to maximum. Also set the volume control on the back of the subwoofer to maximum. You can also reduce the individual levels of the other speakers.
The subwoofer does not automatically turn off.	The AUTO/ON (26) switch is not set to "Auto".	Set the AUTO/ON (26) switch to "Auto".
If operated via a cable connection: Playback is noisy.	The audio cable between the AV receiver and subwoofer is too long and/or the shielding is not sufficient.	If possible, use a short, well shielded RCA cable or use the wireless connection.
For a wireless connection: The transmission is disrupted.	Other wireless signal sources (cordless telephones, Wi-Fi stations or microwaves) affect the connection.	Move the devices causing the disturbance.

Technical Data

Dimensions (WxHxD)	370 x 474 x 540 mm
Weight	23.6 kg (without metal grid)
Operating voltage	230 V~/50 Hz
Max. power consumption	250 watts

You can find further technical data on our website. Technical changes reserved!

Declaration of Conformity

 Lautsprecher Teufel GmbH hereby declares that this product is in accordance with the requirements of directives 2014/30/EU, 2014/35/EU and 2014/53/EU as long as it is installed and used according to the manufacturer's instructions. The full text of the EU Declaration of Conformity is available at the following Internet address:

www.teufelaudio.com/declaration-of-conformity.html

The following radio frequency bands and radio transmitters are used in this product:

Radio network	Frequency bands in Mhz	Transmitter power in mW/dBm
Averna	2405–2477.5	1/0

Teufel

Please contact our customer service department with any questions, suggestions, or complaints:

Lautsprecher Teufel GmbH
BIKINI Berlin
Budapester Str. 44
10787 Berlin (Germany)

Tel.: 00800 200 300 40
Fax: +4930 / 300 930 930
www.teufelaudio.co.uk/contact.html

No responsibility is assumed for the correctness of this information. Technical changes, typographical errors and other errors reserved.

Manual No. 195101 GB 20170615