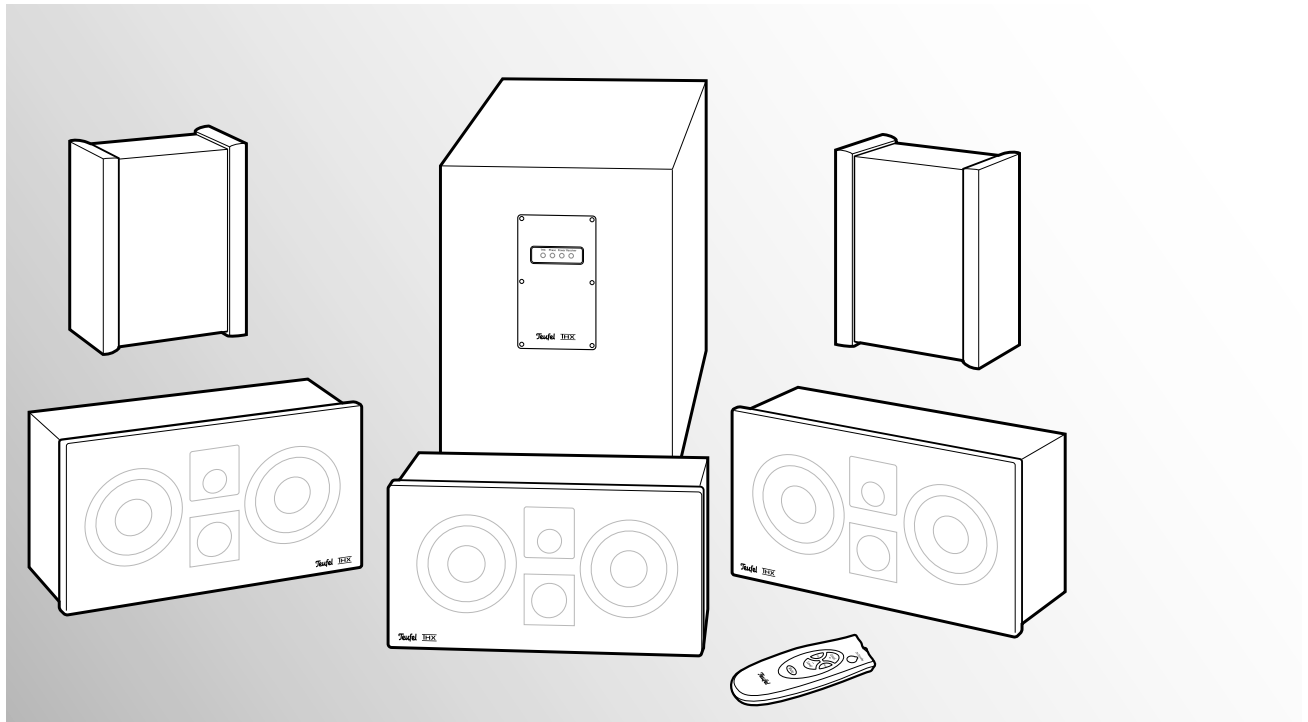


Technical Description and Operating Instructions



System 8

5.1 Home Theater Speaker Set with THX Ultra 2 Certificate

Teufel

Contents

General notes and information	3
Notice	3
Trademarks	3
Original packaging.....	3
Complaints.....	3
Contact	3
Proper use.....	3
Safety notes	4
Overview	5
Control elements and connections	6
Remote control	7
Inserting batteries	7
Functionality.....	7
Assembly	7
Mounting the spikes	7
Protective grid	7
Setup	8
Location tips.....	8
Center speaker	8
Front speaker	8
Subwoofer	8
Rear speakers.....	8
Connecting.....	9
Subwoofer	9
Speaker.....	9
Connection to a power supply.....	10
Adjusting.....	11
Adjustable AV receiver	11
Non-adjustable AV receiver	11
Operation	12
Subwoofer	12
Activating and deactivating	12
Care and cleaning	13
Troubleshooting.....	14
Protecting the environment	15
Technical data	15

General notes and information

Notice

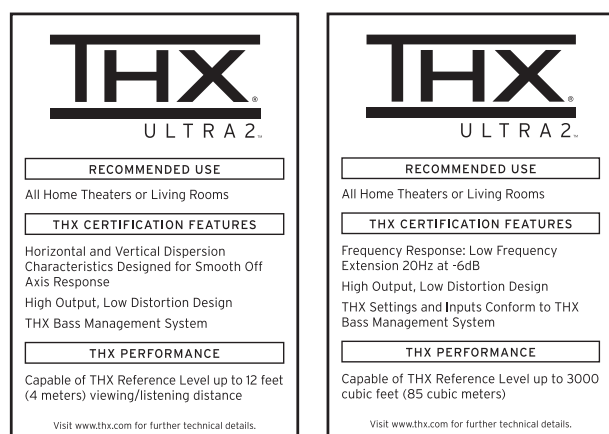
The information in this document may change without prior notice and in no way constitutes any liability on the part of Lautsprecher Teufel GmbH.

No part of these instructions may be reproduced in any form or be broadcasted in any way electronically, mechanically, by photocopy or recording without the written permission of Lautsprecher Teufel GmbH.

© Lautsprecher Teufel GmbH
Version 2.0
December 2011

Trademarks

® All trademarks are the property of their respective owners.



THX and the THX logo are trademarks of THX Ltd., which are registered in some jurisdictions. All rights reserved.

Original packaging

If you wish to exercise your eight-week right of return, we ask that you be absolutely sure to hold onto the packaging. We can only accept the return of the speakers WITH THE ORIGINAL PACKAGING.

Empty boxes are not available!

Complaints

In case of complaint we will need the following information to process your enquiry:

1. Invoice number

Can be found on the sales slip (enclosed with the product) or on the order confirmation received as a PDF document, e.g. 4322543

2. Serial number or batch number

Located on the back side of the unit,
e.g. serial number: S10....

Many thanks for your support!

Contact

For questions, suggestions or criticism please contact our customer service department:

Lautsprecher Teufel GmbH
Gewerbehof Buelowbogen
Buelowstrasse 66
10783 Berlin (Germany)

Phone: 00800 - 200 300 40 (free of charge)

Fax: +49 (0)30 / 300 930 930

E-mail: service@teufelaudio.com

www.teufelaudio.com

Proper use

Only use the unit as described in these operating instructions. Any other use will be deemed as not in accordance with the instructions and may lead to damage to property or even persons.

The manufacturer accepts no liability for damage caused by use not in accordance with the instructions.

The unit is intended for private use.



Before operating the unit for the first time please read the safety notes and operating instructions carefully. This is the only way to use all functions safely and reliably.

Keep the operating instructions safe and pass them on to anyone who may own the unit after you.

Safety notes

Caution icons

You will find the following caution icons in these instructions:

Danger High risk!

Failure to observe the warning may result in severe personal injury or death.

Attention Moderate risk!

Failure to observe the warning may result in property damage.



Minor risk!

Points which should be observed when handling the unit.

Safety notes

Danger Risk of electric shock!

Faulty installation of electrical equipment or mains voltage which is too high can cause

electric shocks.

- The device is only suitable for use with a power supply voltage of 230-V~/50 Hz.
 - If the unit's case or mains cable is defective or shows other signs of visible damage, disconnect the mains adapter immediately from the socket and do not operate the device.
 - If the unit emits smoke or smells of burning or other unusual odours, disconnect it immediately from the power supply and do not operate it.
 - Never open the unit's housing.
Repairs may only be carried out by an authorised specialist workshop. Only parts which conform with the original unit specifications may be used in this case. There are electrical and mechanical parts in this unit which are necessary in order to avoid exposure to sources of danger.
 - Do not insert any objects through the vent slots in the housing.
 - Only use the unit in indoor areas.
 - Do not operate the unit in damp areas and protect it from drops of water or splash water.
Also take care not to stand vases or other containers filled with liquid on or near the speaker in order to avoid liquid getting into the case. If water or other foreign objects penetrate the case, immediately disconnect the power plug and if applicable, remove any batteries. Send the unit to our service address in this case.
 - Never touch the mains adapter with damp hands.
 - Check the unit regularly for damage.
-

Danger Danger to children!

Children can become trapped in the packing film when playing and suffocate.

- Do not allow children to play with the unit or the packing film. Danger of suffocation.
 - Ensure that children do not remove small parts from the unit or take them off of the unit (e.g. control knobs or plug adapters). They could swallow the parts and choke.
Never allow children to operate electrical devices unsupervised.
-



Danger to hearing!

Loud noise may lead to hearing loss.

Very high noise pressure may be suddenly produced when the subwoofer is set to full volume once activated. This may have psychological consequences and also cause physical injury. Children and pets are particularly at risk.

- Set your signal source unit volume control to a low setting.
 - When the volume is set high, always keep a certain distance from the unit and never place your ear directly on the speaker.
 - To avoid damage to health, avoid extended listening at high volume.
-

Danger Danger of chemical burns!

Leaking battery acid may lead to chemical burns.

- Do not allow battery acid to come into contact with skin, eyes and mucus membranes. In case of contact with acid rinse the affected location immediately with plenty of plain water and if necessary see a doctor.
-

Danger Danger of injury/damage!

Incorrect location may result in damage.

- Never use the units unmounted in vehicles, in unstable locations, on wobbly tripods or furniture, on insufficiently dimensioned brackets etc. The speakers could tip or fall down and cause injury to persons or be damaged.
 - Arrange the speakers so that they cannot be knocked over accidentally and make sure that the cables do not pose a trip hazard.
 - If mounting the speakers on the wall, make sure that the installation is carried out expertly.
 - Only use suitable wall holders to mount the speakers. Verify the carrying capacity of the walls.
 - Do not place the unit near sources of heat (e.g. heaters, ovens, other heat generating equipment such as amplifiers etc.)
-

Attention Fire hazard!



Improper use may lead to damage or fire.

- Do not place open flames such as burning candles or similar on the unit.
- Ensure sufficient ventilation.
- Do not place the unit in direct sunlight.
- Do not cover the ventilation slots with curtains, cloths, newspapers or similar. Heat build-up inside the unit can shorten the lifetime of the unit.

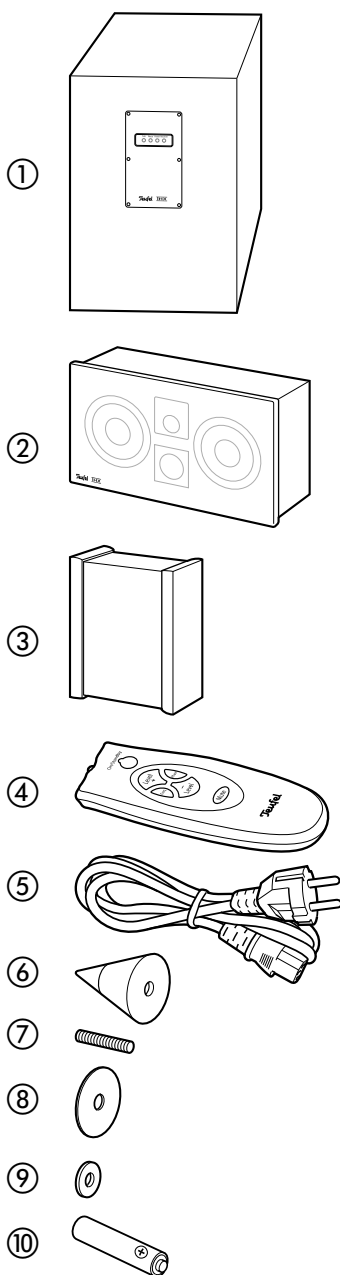
Attention Risk of damage!



Power overload due to lightning strike may damage or destroy the unit.

- If the unit is to be left unsupervised for a long period (e.g. during a holiday), or if a thunderstorm is forecast, disconnect it from the mains power supply.

Overview



Product contents of the 5.1 Cinema Set*

- ① 1 x S 8000 SW active subwoofer
- ② 3 x S 800 FCR front speakers
- ③ 2 x S 800 D dipole rear speakers
- ④ 1 x remote control
- ⑤ 1 x power cord for the subwoofer
- ⑥ 4 x spikes for the subwoofer
- ⑦ 4 x threaded bolts
- ⑧ 4 x plastic discs
- ⑨ 4 x washers
- ⑩ 2 x batteries for remote control (type AAA)

* The Concert Set 5.1 does not contain any two separate dipole rear speakers, but five identical front speakers.

Connector cables



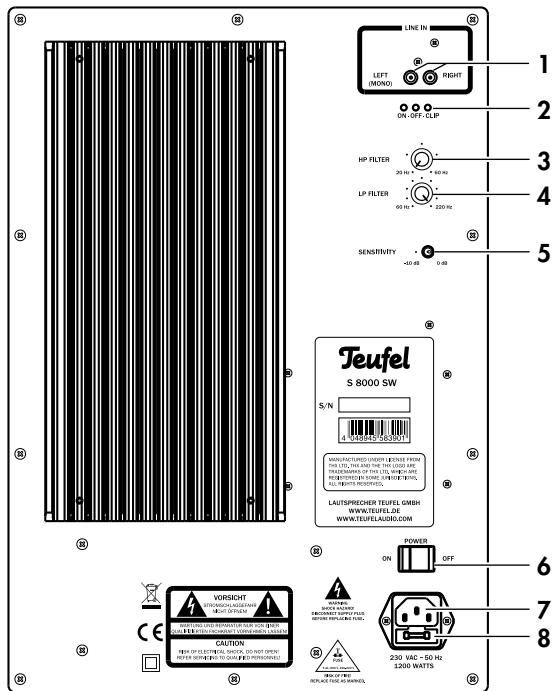
System 8 is delivered without connector cables due to the variety of different customer needs. You can find suitable cables in our webshop (www.teufelaudio.com) in the "Accessories" area. You can also purchase speaker stands and wall brackets for the speakers there.

Check to be sure

- Check that all items have been delivered and that nothing is damaged.
- If the delivery is incomplete or you find damage sustained in transit, do not operate the unit but contact our service department (see page 3).

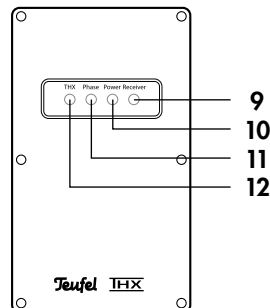
Control elements and connections

Subwoofer backside



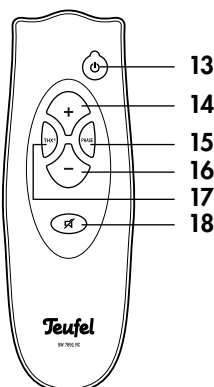
Item	Name	Description
1	Line In	Audio input jacks
2	On • Off • Clip	Power LEDs On: Subwoofer on Off: Subwoofer off/overloaded Clip illuminated: Speaker protective circuit has been triggered
3	HP FILTER	High pass filter
4	LP FILTER	Low pass filter
5	SENSITIVITY	Sensitivity
6	POWER	Mains switch
7	-	Connector jack for power cord ⑤
8	-	Mains fuse

Subwoofer front side



Item	Name	Description
9	Receiver	Infrared receiver for remote control
10	Power	Power LED: Red = Standby, Green = Operation
11	Phase	Green = Phase shifting active
12	THX	Red = Volume corresponds to THX requirements

Remote control



Item	Name	Description
13	⏻	Turn the subwoofer on or to standby
14	+	Increase subwoofer volume
15	Phase	Activate/deactivate phase shifting (180°)
16	-	Reduce subwoofer volume
17	THX®	Set the subwoofer volume to the THX level
18	🔇	Mute the speakers

Remote control

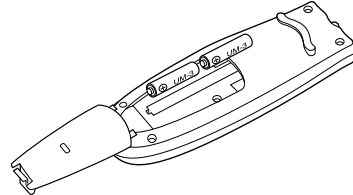
You will need two micro-type or AAA batteries with 1.5 Volt (included in the product contents) in order to operate the remote control.

Inserting batteries

- Push the small lever on the cover of the battery compartment on the back of the remote control and remove the lid by lifting it off upwards.
- If applicable, remove any old batteries (please observe the notes on page 14).
- Insert the batteries in the battery compartment as shown in the figure.
- Place the cover back on the compartment and push it closed.

Functionality

The remote control relays the control signals by means of infrared light. For this, you must point the front of the remote control towards the receiver. Make sure that the infrared light is not obstructed by objects.



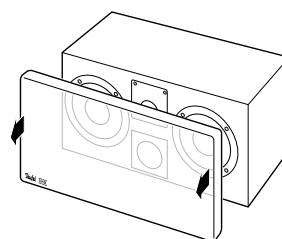
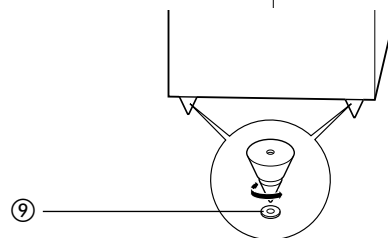
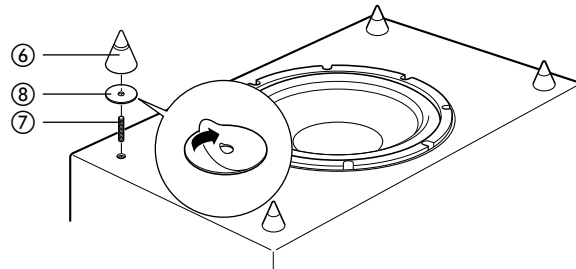
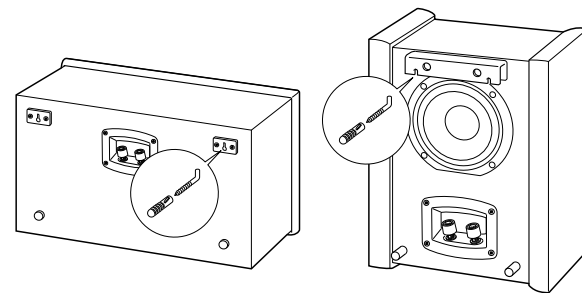
Assembly

The brackets on the back side are intended for wall mounting of the satellite speakers, whereas threaded holes are located on the underside for assembly on a speaker stand. You can purchase installation materials (cables, speaker stands, wall brackets and resonance dampers) especially tailored to these speakers in our webshop (www.teufelaudio.com) in the "Accessories" area.

Mounting the spikes

The spikes ensure that the subwoofer has a stable position, they also minimise vibrations and provide enough space to the floor for the subwoofer speaker.

- Carefully turn the subwoofer over and place it on a soft, padded base.
- Screw a threaded bolt ⑦ into the spike ⑥.
- Remove the protective foil from a plastic disc ⑧ and slide it over the threaded bolt onto the spike.
- Screw the spike into one of the four threaded holes on the bottom side of the subwoofer.
- For soft floors (e. g. carpet floor), you should place a washer ⑨ under each spike.
- The tips of the spikes may protrude somewhat in order to compensate for irregularities in the floor.



Protective grid

The protective grids protect the sensitive speaker diaphragms and do not affect the sound. Depending on your taste, you can easily pull off the grids to the front and attach them again in the same manner.

Setup

Location tips

- Select a stable, level base.
- Make sure that the environment is clean and free from dust.
- Avoid placing the unit close to sources of heat or in direct sunlight.
- Do not place any heavy objects on the cables or the speakers.

The following data concern an "ideal home cinema", in which the viewer or listener sits in a central position at a sufficient distance in front of the television or screen (see the adjacent graphic) and no objects (tables or the like) are located in between. Unfortunately, the room, furnishings or one's partner do not always allow for optimum arrangement.

Modern AV receivers offer a variety of possibilities for electronically compensating losses associated with the arrangement. The following general rule applies: You can always experiment on what works best in your listening room in terms of sound and appearance based on our recommendations. Let your ears (and eyes) be the judge!

Center speaker

Place one of the three front speakers ② in a central position, directly under the screen or silver screen.

Front speaker

The two remaining front speakers ② are set up or hung to the right and left of the screen at a height of approx. 40 to 120 cm. They should be in line with the center speaker and form an equilateral triangle with the listener – the so-called stereo triangle (distance from the listener = distance between the speakers). The speakers should project sound directly into the room or slightly towards the listener.

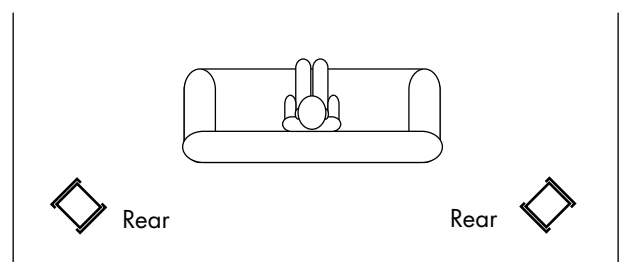
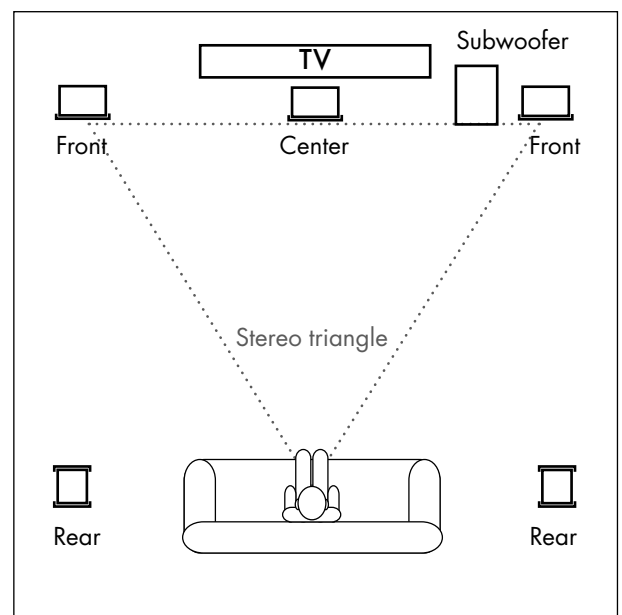
Subwoofer

You should also place the subwoofer on the floor close to the television. A location between the front speakers is ideal.

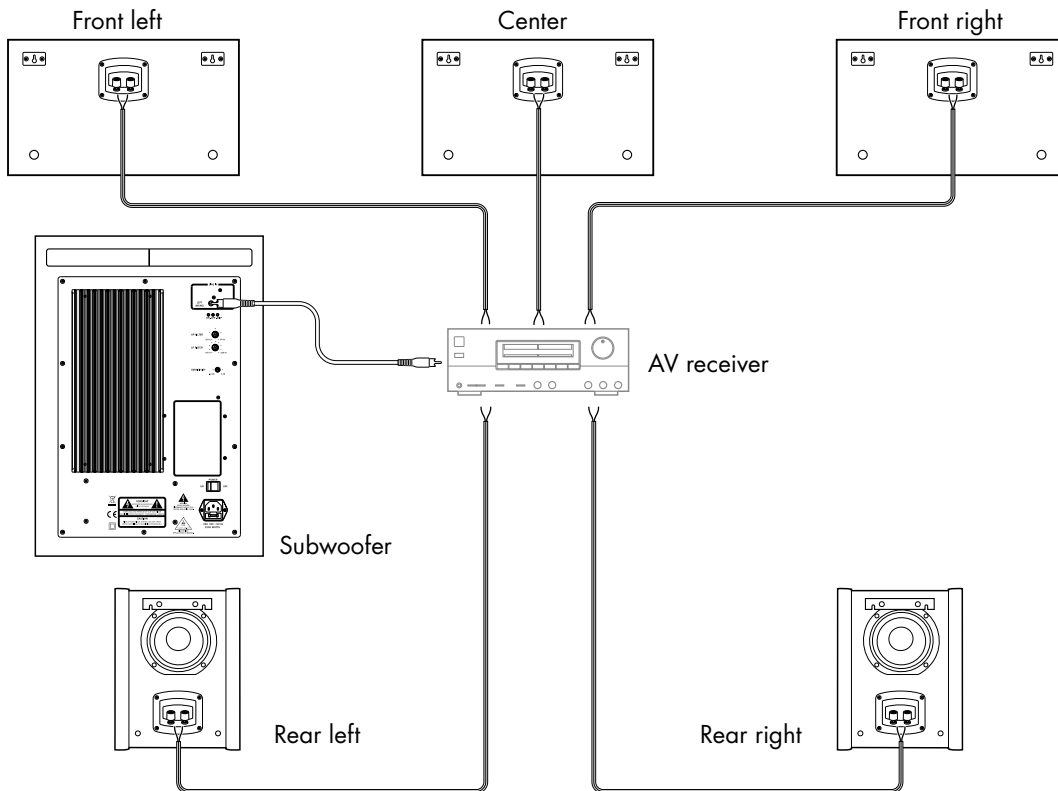
Rear speakers

The two rear speakers ③ project sound to the front and backwards. They are set up or hung to the side of the listener at head level (140 to 210 cm). The distance to the rear wall should be no less than 10 cm.

You can also set up the rear speakers somewhat behind the listener at a height of 140 to 210 cm and turn them within an angle of 45 degrees. As a result, the speakers project sound against the walls and generate the desired diffusivity.



Connecting



Danger Danger of injury/damage!



Arrange the cables so that they do not pose a trip hazard.

- Pull the mains plug of your AV receiver out of the socket to prevent accidental activation.

Subwoofer

Ideally, the subwoofer is connected to the subwoofer jack of the AV receiver with a mono RCA cable.

Normally, only the RCA jack **1** "LEFT MONO" on the back side of the subwoofer is used for this purpose. The RCA jack **1** "RIGHT" is only occupied if you use a Y adapter for the connection. This increases the subwoofer level slightly.

You will find more information on this in the operating instructions of your receiver.

If your receiver does not have a connection for a subwoofer, connect an available speaker outlet with an RCA jack **1** of the subwoofer using a voltage reducer and an RCA cable. We offer voltage reducers on our website in the "Accessories" area.

Speaker

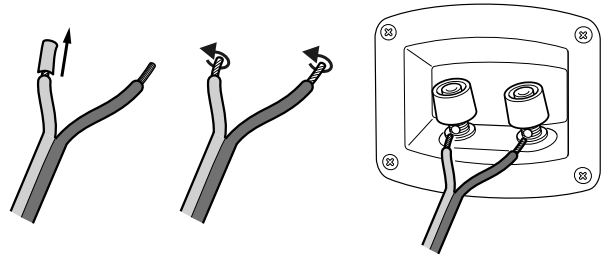
- Lay the speaker cables from your AV receiver to each of the speakers. These cables should be high-quality double-wire speaker cable with marked strands. The diameter should amount to at least 2.5 mm².
Small tip: Label the cables on the receiver side – this will help when taking down and setting up the receiver.
- A connector terminal with two terminal clips is located on the back side of each speaker. Here you can connect the speaker cables directly or with pin plugs. We only describe the direct connection in these instructions.
- The terminal clips are each marked red (+) and black (-).



Make sure that the polarity is correct!

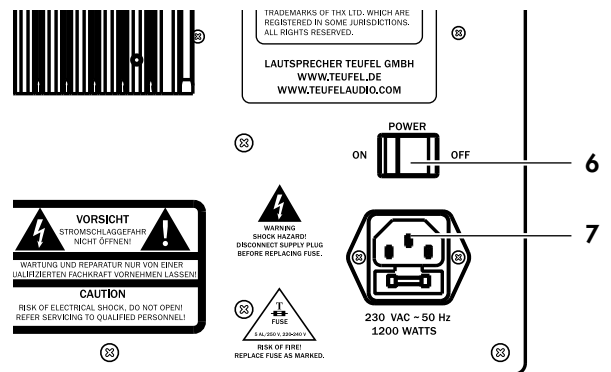
Connect the like-coloured terminal clips with one another. Otherwise the sound quality will suffer. The speaker connectors of your AV receiver should have similar markings. The strands of the speaker cables are marked with different colours or shapes.

1. Split the single wire down to approx. 30 mm on both ends and strip approx. 10 mm of insulation off of each cord. Twist the single wire together so that no strands are protruding.
2. Turn the connector terminal counterclockwise until loose. Run the stripped cable end into the now visible hole. Close the terminal by turning it counterclockwise. The cable has now been clamped in place.
3. Connect all cables to the speakers this way.
4. Connect the speaker cables to your AV receiver. The operating instructions of the appliance should contain notes on this.



Connection to a power supply

1. Ensure that the mains switch **6** "Power" on the sub-woofer is switched off ("0 OFF" position).
2. Connect the mains connector jack **7** with a mains socket using the mains cord **5**.
3. Also plug the mains plug of your AV receiver back into the socket.



Adjusting

Adjustable AV receiver

Most AV receivers feature a menu with speaker settings (referred to as "Speaker Setup" or similar). In this case, the following settings should be made:

- Size of the front, center and rear speakers to "normal" or "small" – not "large"
- "Subwoofer" to "on"
- Crossover frequency for subwoofer to 80 Hz
- Subwoofer volume to more than 75 %

Set the subwoofer volume to the THX level. For this, push the button **17** "THX" on the remote control while the subwoofer is on. The display **12** "THX" illuminates in red.

These settings will ensure that the speakers are used optimally and you can make the final fine tuning via the automatic calibration function or the menu of your AV receiver.

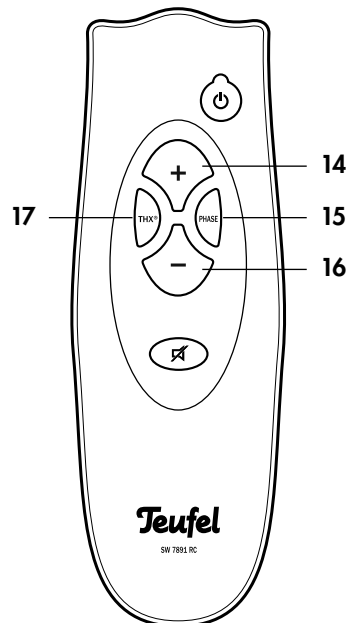
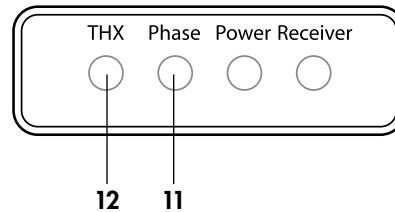
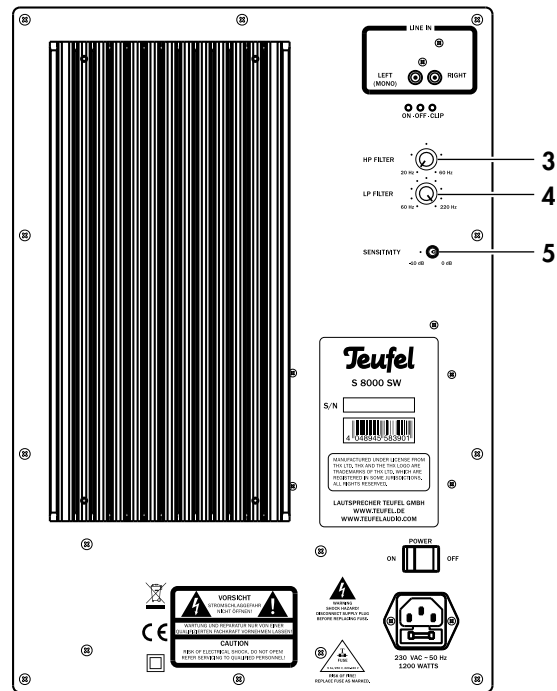
Non-adjustable AV receiver

If your AV receiver does not provide the above options, you can make the most important settings directly on the subwoofer. To do so, you will need a CD or DVD with adequate, powerful sound.

Note: The setting elements on the back side of the subwoofer only work when THX mode is turned off (the display **12** "THX" then turns green).

- Set the separation frequency with the control **4** "LP FILTER" to approx. 80 Hz (second dash). This way, you specify that the subwoofer only plays sounds up to this frequency (adjustment range: 60–220 Hz).
- With the control **3** "HP FILTER" you can block low frequencies (adjustment range: 20–60 Hz).
- With the switch **5** "SENSITIVITY", soft signal sources can be amplified by 10 dB (switch setting: left).
- Once you have set the best sound, switch phase shifting on and off several times with the button **15** "Phase" (display **11** "Phase" is green). Then select the setting at which the subwoofer sounds as loud and precise as possible.
- Optimise the settings with other CDs/DVDs and different volumes.

Ideally, you will hear the system with a volume of 80–85 dB SPL. As a result, quiet passages will still be audible and loud passages will not be detrimental to hearing. At best, you should use a sound level meter for determining the volume, which you can purchase in our webshop.



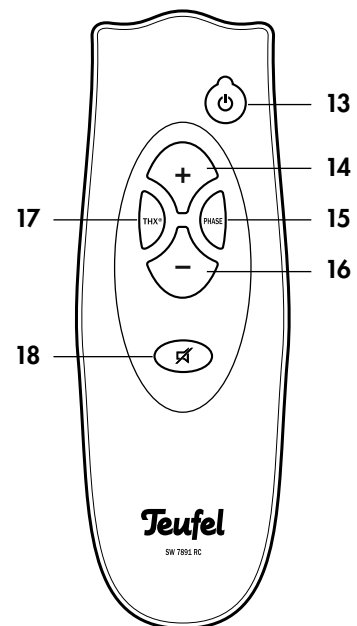
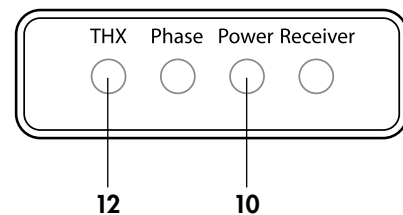
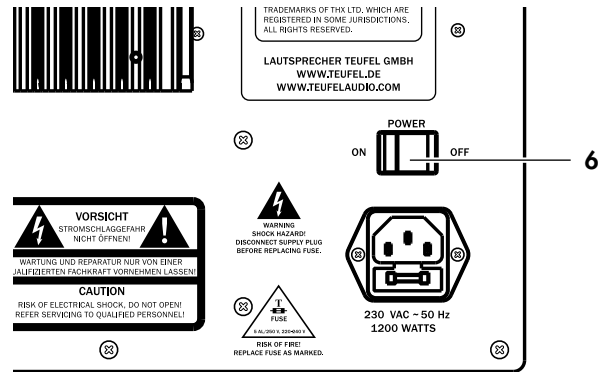
Subwoofer

Activating and deactivating

- With the switch **6** "Power" you can turn the power supply voltage on or off. After turning on, the subwoofer is in standby and the power LED **10** "Power" is illuminated in red. If the subwoofer is on, the power LED **10** "Power" will be illuminated in green.

You can control all other functions with the remote control:

- Switch on and to standby: Push the button **13** "⏻".
Note: If the subwoofer is not deactivated with the button **13** "⏻", it will automatically switch to standby if no audio signal is present for 20 minutes. As soon as an audio signal is sent, the subwoofer will automatically activate for music playback.
You can exit this auto-on mode by switching the subwoofer to standby with the button **13** "⏻".
- Increase the volume: Push the button **14** "+".
- Decrease the volume: Push the button **16** "-".
- Set the volume to THX level: Push the button **17** "THX", the display **12** "THX" is illuminated in red.
- Mute the subwoofer: Push the button **18** "🔇". The power LED **10** "Power" flashes in green.
- Turn the sound back on: Push the button **18** "🔇" again or adjust the volume.



Care and cleaning

Clean the subwoofer and satellite speakers regularly with a soft, damp microfibre cloth. When doing so, please be absolutely sure to observe the following instructions:

Danger Risk of electric shock!



In contact with live parts, water can lead to electric shock or short circuit.

- Make sure that no liquid penetrates the unit.
 - Disconnect the mains plug before cleaning.
-

Attention Risk of damage!

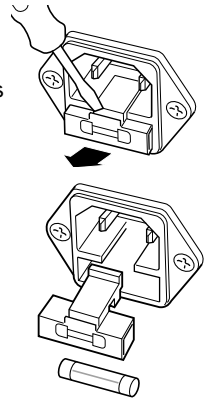


Using the wrong cleaning materials may damage the delicate surface of the case.

- If possible, only use plain water without any additives. In case of stubborn marks, a mild soap solution may be used.
 - In no circumstances should caustic cleaning products, white spirit, thinners, petrol or similar be used for cleaning.
-

Troubleshooting

The following advice should help you to solve problems. If this doesn't work, the extensive FAQs on our website will surely provide you with support. Otherwise, please contact our hotline (see page 3). Take note of the warranty instructions.

Problem	Possible cause	Solution
The subwoofer isn't active, the operation display 10 is not on.	The subwoofer is off or doesn't have any power.	Activate the switch 6 ("On I"). Check the power cord and socket.
	Fuse is defective.	Replace the fuse: Disconnect the power cord. Carefully pull the fuse holder 7 on the mains connection jack 8 out. Push the old fuse down and out. If applicable, insert a new fuse (2 A time-delay), close the holder. 
The subwoofer is not working, but the operation display 10 is on.	The volume has been set too low.	Increase the volume with the button 14 .
The subwoofer hums.	The subwoofer is connected to another circuit than the rest of the system.	Connect the subwoofer and AV receiver to the same circuit.
	The buzzing is caused by problems with the power supply.	Buy a line filter and connect both devices to it.
	The buzzing is caused by a multiple socket.	Use another multi-outlet power strip or connect the subwoofer directly to the wall socket. It may also help to insert the power plug the other way around.
Playback is noisy.	Generally speaking, System 8 is very low-noise. In most cases, the speaker system with exceptional resolution in the high range area can expose the poor quality of a signal source (e.g. from MP3 files).	Ensure that the source is sending a clear signal.
The sound seems dull.	A satellite has been connected with incorrect polarity.	Make sure the speaker cables of all satellites are connected properly.

Protecting the environment

Disposal of the unit



Used units must not be disposed of with household waste!

If the unit is no longer operational, every consumer is required by law to dispose of used devices separately from household waste, e.g. at a collection point run by the communal authority or borough. In this way it is ensured, that used devices are properly recycled and that negative consequences on the environment are avoided.

For this reason, electrical equipment is labelled with the displayed symbol.

Batteries and rechargeable batteries



Batteries and rechargeable batteries must not be disposed of with household waste!

Every consumer is required by law to bring all batteries and rechargeable batteries, whether they contain harmful substances*) or not, to a collection point run by the communal authority or borough or run commercially, so that they can be disposed of in an environmentally friendly manner.

Please only hand in fully discharged batteries and rechargeable batteries!

*) labelled with: Cd = Cadmium, Hg = Mercury, Pb = Lead

Technical data

	S 8000 SW active subwoofer	S 800 FCR front speakers	S 800 D dipole rear speakers
Dimensions (WxHxD)	360 x 700 x 557 mm (with spikes)	460 x 200 x 250 mm	238 x 172 x 308 mm
Weight	41.7 kg	8.5 kg	6.1 kg
Operating voltage	230 V~/50 Hz	–	–
Max. power consumption	1200 watts	–	–

For further technical information, please view the product description on our website at www.teufelaudio.com.

Technical changes reserved!



This product conforms with Council of the European Union guidelines 2004/108/EC and 2006/95/EC.

Teufel

For questions, suggestions or other issues please contact our customer service department:

Lautsprecher Teufel GmbH
Gewerbehof Buelowbogen - Ausgang D1
10783 Berlin (Germany), Buelowstr. 66

Tel.: 00800 200 300 40 (toll-free)
Fax: +49 (0)30-300 930 930
www.teufelaudio.com

No liability is accepted for the accuracy of this information. Technical changes, typographical errors and other errors reserved.

Instruction No. 91446 GB 20111209