

## Technical description and operating instructions



# Ultima 800

High-End Floor Speakers with Bass Alignment

**Teufel**

# Contents

---

<b>General notes and information .....</b>	<b>3</b>
<b>Safety notes .....</b>	<b>4</b>
Caution icons .....	4
Safety notes .....	4
<b>Protecting the environment .....</b>	<b>4</b>
Disposing of the speakers .....	4
<b>Unpacking and setup.....</b>	<b>5</b>
Check to be sure.....	5
Removing the cover grills .....	5
Location tips.....	5
<b>Attaching the spikes .....</b>	<b>6</b>
<b>Connecting.....</b>	<b>7</b>
Connecting the cables .....	7
Bass alignment .....	7
<b>Care and cleaning .....</b>	<b>8</b>
<b>Technical data .....</b>	<b>8</b>

## General notes and information

### Notice

The information in this document may be changed without prior notice and in no way constitutes any liability on the part of Lautsprecher Teufel GmbH.

No part of these instructions may be reproduced in any form or be broadcasted in any way electronically, mechanically, by photocopy or recording without the written permission of Lautsprecher Teufel GmbH.

© Lautsprecher Teufel GmbH  
Version 1.0  
November 2009

### Original packaging

If you wish to exercise your eight-week right of return, we ask that you be absolutely sure to hold onto the packaging. We can only accept the return of the speakers WITH THE ORIGINAL PACKAGING.

Empty boxes are not available!

### Complaints

In case of complaint we will need the following information to process your enquiry:

#### 1. Invoice number

Can be found on the sales slip (enclosed with the product) or on the order confirmation received as a PDF document, e. g. 4322543

#### 2. Serial number and/or batch number

Found on the back of the device, e. g. serial number: UL 04007480121A

Many thanks for your support!

### Contact

For questions, suggestions or criticism please contact our customer service department:

Lautsprecher Teufel GmbH  
Gewerbefhof Buelowbogen · Buelowstrasse 66  
10783 Berlin (Germany)

**Tel.: +49 (0) 30 - 300 930 0**

**Fax: +49 (0) 30 - 300 930 930**

**www.teufel.eu**

### Warranty conditions

12 year warranty for loudspeakers from date of purchase. Covers materials and workmanship, excludes damage caused by improper use or electrical or mechanical overload. Proof of warranty is the original of our invoice. This warranty applies solely to loudspeakers, amplifiers and electronics purchased from Teufel by an end user for private use. The warranty is not valid for loudspeakers, amplifiers and electronics, which pass to an end user via

a third party merchant. In the case of a private re-sale of Teufel products the warranty may be transferred to the purchaser as long as the original proof of purchase is also passed on to the purchaser.

### Returns

Teufel provides the right to exchange or return within eight weeks with refund of the purchase price paid. Return of individual components sold as a package is only possible if these components are also sold individually by Lautsprecher Teufel. In the case of the return of one or more individual components the package price reduction offered by Lautsprecher Teufel on all components in a package no longer applies. The amount refunded to the customer for the components returned will therefore only be the difference between the package price and the purchase price of the individual parts. The economic result for the customer is that it is as if he/she had originally bought the remaining components at their individual prices.

Further information on the subject of returns may be found on the back of the returns form enclosed with the order or online in the support area of our website [www.teufel.eu](http://www.teufel.eu)

**If you need to return your goods please do not act without first speaking to Lautsprecher Teufel.**

**We can only process or accept your returns if you give us prior notification by telephone and discuss how to proceed!**

### Proper use

Only use the speakers as described in these instructions. Any other use will be deemed as not in accordance with the instructions and may lead to damage to property or even persons. The manufacturer accepts no liability for damage caused by use not in accordance with the instructions.

The speakers are intended for private use.



Before using the speakers for the first time please first read the safety notes and operating instructions carefully. This is the only way to use all functions safely and reliably.

Keep the operating instructions safe and pass them on to anyone who may own the unit after you.

## Safety notes

### Caution icons

You will find the following caution icons used in these instructions:

**Danger High risk!**

Failure to observe the warning may result in severe personal injury or death.

**Attention Moderate risk!**

Failure to observe the warning may result in property damage.

**Minor risk!**

Points which should be observed when handling the unit.

### Safety notes

**Danger Danger to children!**

Children can become trapped in the packing film when playing and suffocate.

- Do not allow children to play with the unit or the packing film. Danger of suffocation.
- Ensure that children do not remove small parts from the unit or take them off of the unit (e. g. control knobs or plug adapters). They could swallow the parts and choke. Never allow children to use electrical devices without supervision.

**Danger Danger to hearing!**

Loud noise may lead to hearing loss. Particularly if a subwoofer on full volume in »Standby/Auto On« mode is switched on by a bass beat, sudden very high sound pressure may result. This may cause physical and psychological damage. Children and pets are at particular risk.

- Set your signal source unit volume control to a low setting.
- When the volume is set high, always keep a certain distance from the unit and never place your ear directly on the speaker.
- To avoid damage to health, avoid extended listening at high volume.

**Danger Danger of injury/damage!**

- Incorrect location may result in damage. Never use the unit unmounted in vehicles, in unstable locations, on wobbly stands or furniture, on underdimensioned brackets etc. The speakers could tip or fall down and cause injury to persons or be damaged.
- Place the speakers in such a way that they cannot be knocked over unseen and make sure that the cables do not pose a trip hazard.
- If mounting the speakers on the wall, make sure that the job is carried out by a professional.
- Use only suitable wall fixings. Ensure that the walls are sound and capable of carrying the load.
- Do not use the speakers if the housing or the connector cables are defective or if they exhibit any other visible damages.
- Only use the unit in indoor areas.
- Do not use the appliance in damp rooms and protect it from water drops and splashes. Ensure that no vases or other vessels filled with liquid are placed on or near the appliance to prevent the housing from being penetrated by liquid.
- Do not place the unit near sources of heat (e. g. heaters, ovens, other heat generating equipment such as amplifiers etc.)

## Protecting the environment

### Disposing of the speakers



**Used units must not be disposed of with household waste.**

If the unit is no longer operational, every consumer is required by law to dispose of used devices separate from household waste, e.g. at a

collection point run by the communal authority borough. In this way, used devices can be recycled and waste materials disposed of in an environmentally friendly manner. For this reason, electrical equipment is labelled with the displayed symbol.

## Unpacking and setup

Open the boxes carefully, take out the half shell packaging foam and carefully lift the column speaker out of the box without touching the diaphragms.




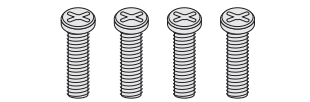
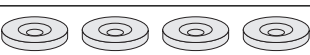


### Connector cable

Due to differing customer requirements, the Ultima 800 speakers are shipped without connector cables. You can find suitable cables in our webshop ([www.teufel.eu](http://www.teufel.eu)) in the "Accessories" area.

### Check to be sure

Check that all items have been delivered and that nothing is damaged:

Item	Units	Article	
①	1	Ultima 800 speakers	
②	2	Metal brackets	
③	4	Spikes	
④	4	Threaded rods	
⑤	4	Cross-slotted screws M6 x 30	
⑥	4	Washers	

If the delivery exhibits damages, do not use the speakers, instead consult our service department (see Page 3).

### Removing the cover grills

You can remove the cover grills from the column speakers by carefully reaching behind the protective grid and slowly pulling it off to the front.

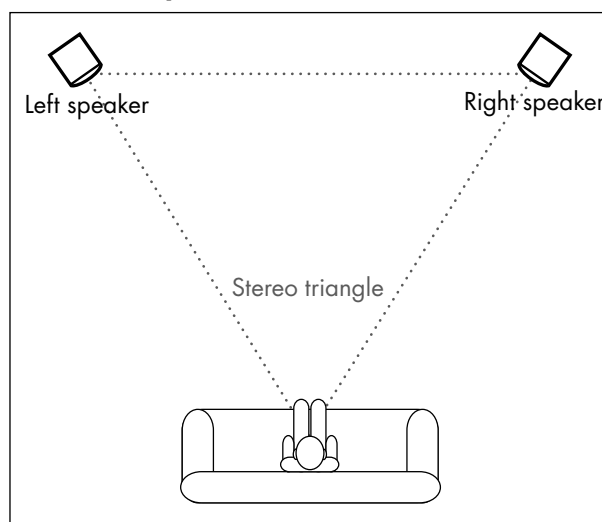
### Attention Risk of damage!



Make sure that you do not touch the highly sensitive diaphragms.

When reattaching the grills, ensure that the installation pins slide into the corresponding holes on the column speaker.

### Location tips



- Select a stable, level base.
- Make sure that the environment is clean and free from dust.
- Avoid placing the unit close to sources of heat or in direct sunlight.
- Arrange the connector cables so that they do not pose a trip hazard.
- Do not place any heavy objects on the cables or the speakers.

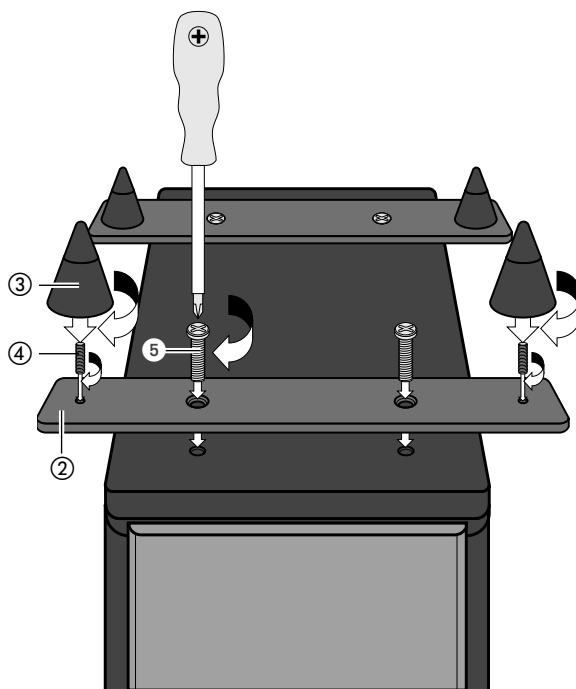
The following information concerns an "ideal listening room", where the listener sits in a central position at an adequate distance in front of the speakers (see the adjacent graphic) and there are no objects between the listener and speakers (tables or the like). Unfortunately, available space, furnishing or other circumstances may not always allow for an optimum arrangement.

Modern amplifiers offer a variety of possibilities for electronically compensating losses associated with the arrangement. The following generally applies: You can always experiment on what works best in your listening room in terms of sound and appearance based on our recommendations. Let your ears (and eyes) be the judge!

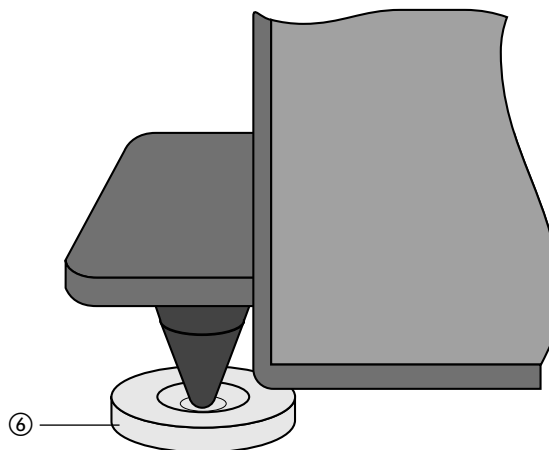
The speakers should be situated to the left and right of the listener and if possible, form an equilateral triangle with the listener – the so-called stereo triangle (distance from the listener = distance between the speakers). The speakers should project sound straight into the room or be arranged slightly towards the listener.

## Attaching the spikes

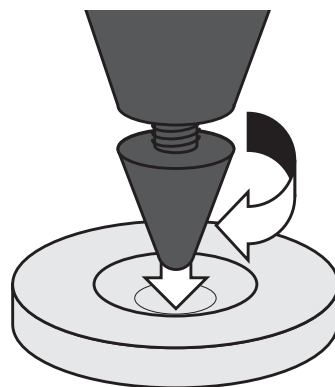
1. Using the threaded rods ④, screw 2 spikes ③ onto each of the metal brackets ②.
2. Turn the speakers over and set them upside down on a blanket or the like so that the sensitive surface is not damaged.
3. Using the cross-slotted screws ⑤, screw the metal brackets onto the bottom of the speaker cabinet. After attaching the brackets, position the speakers back in an upright position.



3. You should place the enclosed washers ⑥ under the spikes to protect the floor (e. g. parquet).



4. The spike tips can be unscrewed so that the speakers are aligned exactly upright.



# Connecting

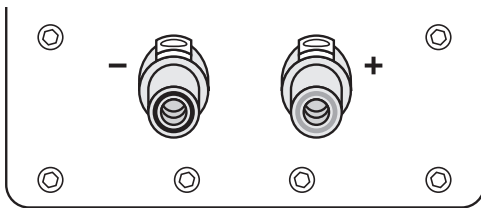
**Danger** **Danger of injury/damage!**



Place the speakers in such a way that they cannot be knocked over unseen and make sure that the cables do not pose a trip hazard.

## Connecting the cables

1. Turn off your amplifier.
2. Lay the speaker cables from your amplifier to each speaker. These cables should be high-quality double-core speaker cable with marked wires. The cross-sectional area should amount to at least 2.5 mm<sup>2</sup> and no more than 10 mm<sup>2</sup>.



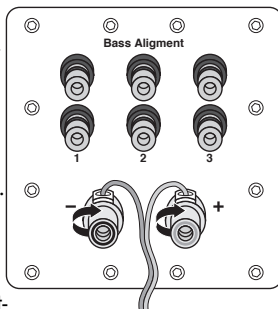
3. A connector terminal with two terminal clips is located on the back of each speaker. You can connect the speaker cables using banana plugs, matching spade type terminals or directly. We only describe the direct connection here. The terminals are each marked red (+) and black (-).



**Observe the correct polarity!**

Connect the like coloured terminals with one another. Otherwise the sound quality will suffer. The speaker connectors of your amplifier should be marked similarly. The strands of the speaker cables are marked with different colours or forms.

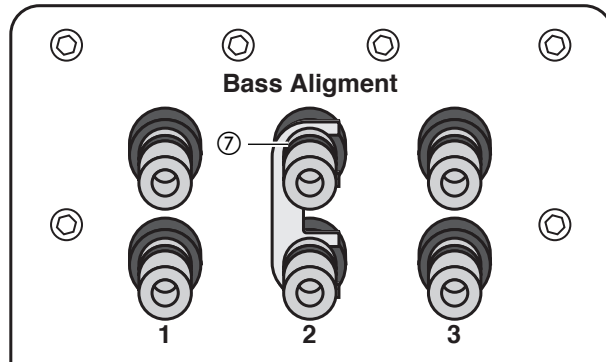
4. Split the cable down to approximately 30 mm on both ends and strip off approximately 10 mm of insulation on each of them. Twist the cable together so that no strands are protruding.
5. Turn the connector terminal counterclockwise until loose. Run the stripped cable into the hole that is now visible. Turn the terminal clockwise until closed. The cable has now been clamped in place.
6. Connect both cables to the column speakers this way.
7. Connect the speaker cables to your amplifier. The operating instructions of the appliance should contain notes on this.



## Bass alignment

You can modify the bass performance of your Ultima 800 speakers in order to adjust the sound to the room conditions or the individual sound performance of your amplifier. 3 terminal pairs are provided, which can be connected with a bridge.

Pos. of the bridge ⑦	Bass performance
No bridge	Maximum bass
Terminal pair 1	Slightly dampened bass
Terminal pair 2	Moderate dampened bass
Terminal pair 3	Very thin bass



- Connect the desired terminal pair with the bridge ⑦ and/or omit the bridge in order to adjust the speaker's bass performance according to the above table. You can remove or shift the bridge during use.

## Care and cleaning

### Attention Risk of damage!




Using the wrong cleaning materials may damage the delicate surface of the case.

- If possible use only plain water with no cleaning products. In case of stubborn marks, a mild soap solution may be used.
- In no circumstances should caustic cleaning products, white spirit, thinners, petrol or similar be used for cleaning.

- Clean the column speakers regularly with a soft, damp microfibre cloth. Ensure that no liquid penetrates the speakers.

## Technical data

Recommended amplifier power	>100 watts
Crossover frequencies	350/2500 Hz
Connector terminals – maximum cable cross-sectional area	10 mm <sup>2</sup>
Banana plug compatible	Yes
Magnetic shielding	No
Front cover removable	Yes
Cabinet volume	43 litres
Speaker dimensions WxHxD	220 (310)x980x374 mm
Weight	31.2 kg

 This product conforms with Council of the European Union guidelines 2004/108/EC and 2006/95/EC

Technical changes reserved!

# Teufel

For questions, suggestions or criticism please contact our customer service department:

**Lautsprecher Teufel GmbH**  
Gewerbehof Buelowbogen - Ausgang D1  
10783 Berlin (Germany), Buelowstr. 66

Tel.: +49 (0)30 - 300 930 0  
Fax: +49 (0)30 - 300 930 930  
[www.teufel.eu](http://www.teufel.eu)

No liability is accepted for the accuracy of this information. Technical changes, typographical errors and other errors reserved.